

# REAR DOOR PANEL SPEAKER KIT



**P/N 2883116**

## APPLICATION

Verify accessory fitment at [Polaris.com](http://Polaris.com).

## BEFORE YOU BEGIN

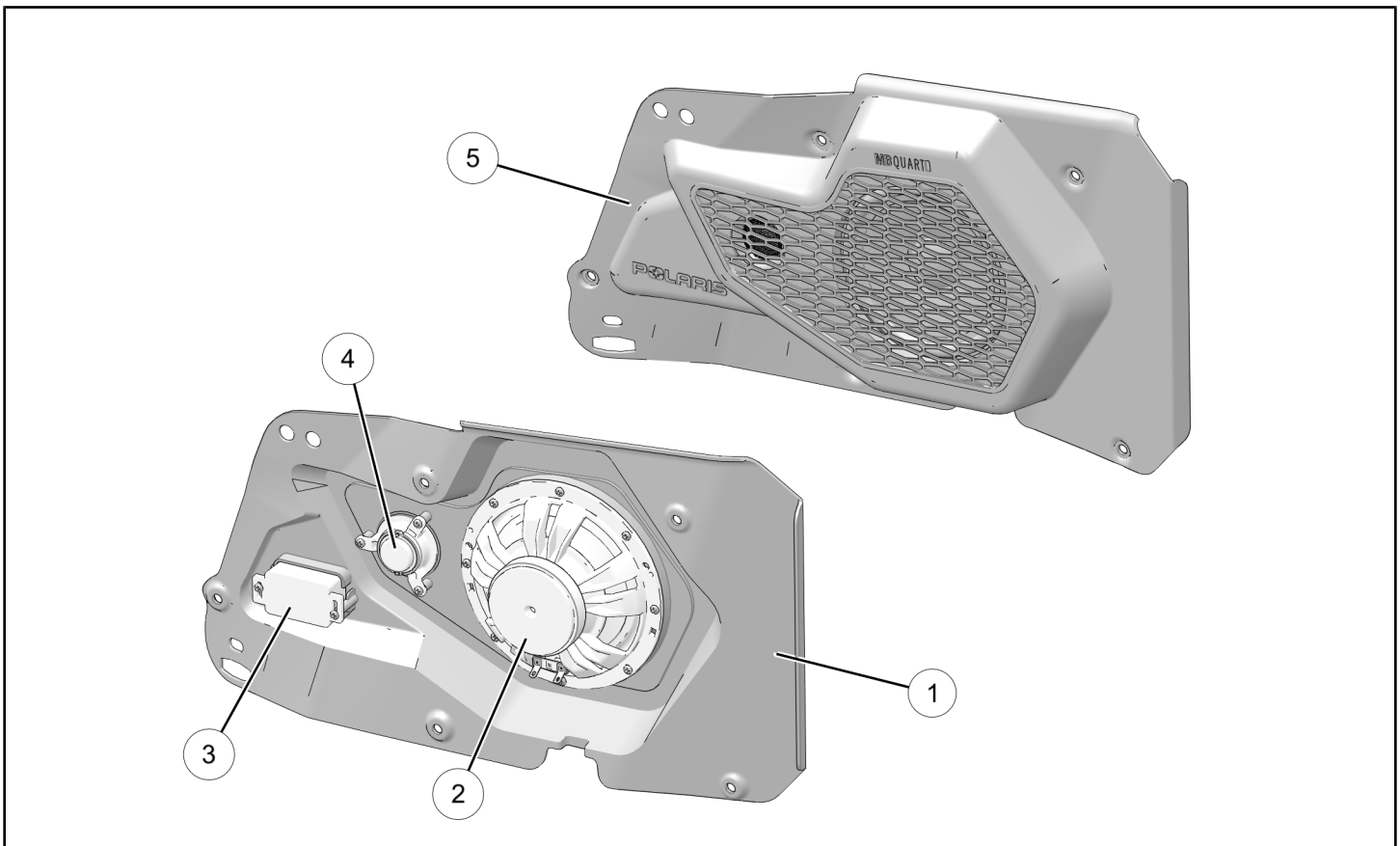
Read these instructions and check to be sure all parts and tools are accounted for. Please retain these installation instructions for future reference and parts ordering information.

## KIT CONTENTS

This kit contains parts for installation of the REAR door panel speakers only. Prior installation of the following additional kits is also required (sold separately):

- Amplifier Kit, PN 2882122
- Front Door Panel Speaker Kit, PN 2881989

This Kit includes:



| REF | QTY | PART DESCRIPTION                          | PART NUMBER |
|-----|-----|---|-------------|
| 1   | 1   | Speaker Assembly, LH (includes items 2-4) | 2636792     |
| 2   | 1   | . Speaker, Woofer                         | 4016257     |
| 3   | 1   | . Crossover                               | 4016382     |
| 4   | 1   | . Speaker, Tweeter                        | 4016381     |

| REF | QTY | PART DESCRIPTION                                | PART NUMBER |
|-----|-----|---|-------------|
| 5   | 1   | Speaker Assembly, RH (includes items 6–8)       | 2636793     |
| 6   | 1   | . Speaker, Woofer (not shown)                   | 4016257     |
| 7   | 1   | . Crossover (not shown)                         | 4016382     |
| 8   | 1   | . Speaker, Tweeter (not shown)                  | 4016381     |
| 9   | 1   | Harness, Splitter, LH (white wires) (not shown) | -           |
|     | 1   | Harness, Splitter, RH (gray wires) (not shown)  | -           |
| 10  | 1   | Harness, Speaker, LH (white wires) (not shown)  | -           |
|     | 1   | Harness, Speaker, RH (gray wires) (not shown)   | -           |
| 11  | 25  | Cable Tie (not shown)                           | -           |
|     | 1   | Instructions                                    | 9928521     |

## TOOLS REQUIRED

- Safety Glasses
- Pliers, Push Pin Rivet
- Pliers, Side Cutting
- Screwdriver Set, Torx®

## IMPORTANT

Your Rear Door Panel Speaker Kit is exclusively designed for your vehicle. Please read the installation instructions thoroughly before beginning. Installation is easier if the vehicle is clean and free of debris. For your safety, and to ensure a satisfactory installation, perform all installation steps correctly in the sequence shown.

## ASSEMBLY TIME

Approximately 55 minutes

### NOTE

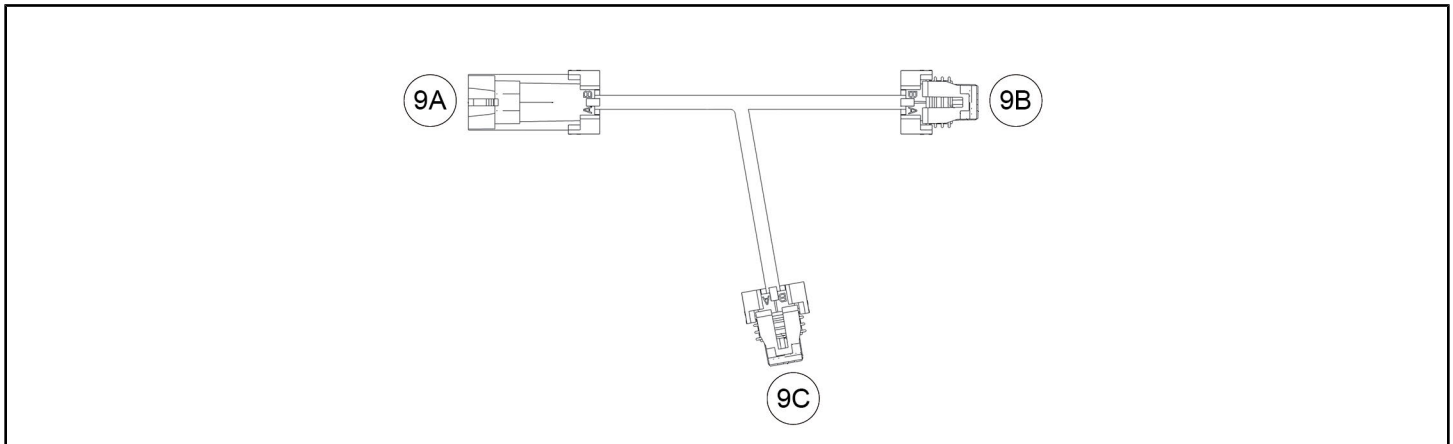
Additional time may be required to accommodate other accessories.

## HARNESS DETAIL

### NOTE

LH and RH harnesses identical except for wire color: LH harnesses have white wires; RH harnesses have gray wires.

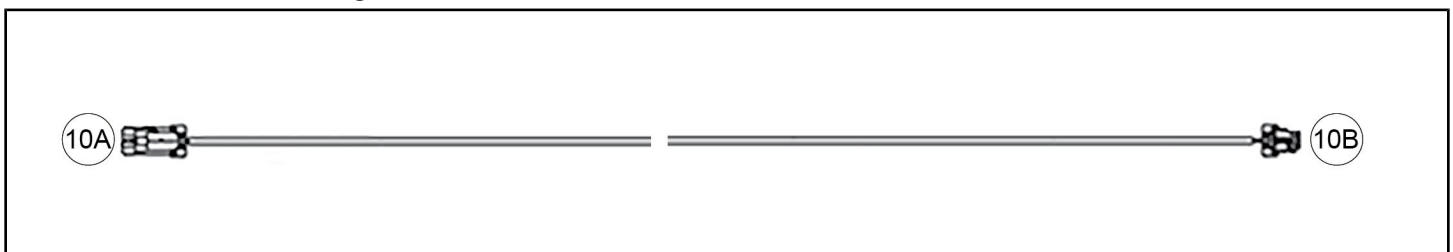
### SPLITTER HARNESSES ⑨:



| REF | PART DESCRIPTION          | WIRE COLOR | PIN QTY/<br>GENDER | CONNECTS TO   |
|-----|---------------------------|------------|--------------------|---|
| 9A  | Connector, Amplifier      | -          | 2 male             | Door Panel <b>Speaker Amplifier Kit</b> PN 2882122 (and bundle kits 2882246, 2882208) or equivalent; kits sold separately. See Step 5 for detail. |
| 9B* | Connector, Speaker, Front | -          | 2 female           | Door Panel <b>Speaker Kit</b> PN 2881989 (and bundle kits 2882246, 2882208) or equivalent; kits sold separately. See Step 5 for detail.           |
| 9C* | Connector, Speaker, Rear  | -          | 2 female           | Speaker harness ⑩, connector 10A  |

\* Connectors 9B and 9C are electrically and physically identical. The same signal is sent to front and rear speakers.

### SPEAKER HARNESSES ⑩:

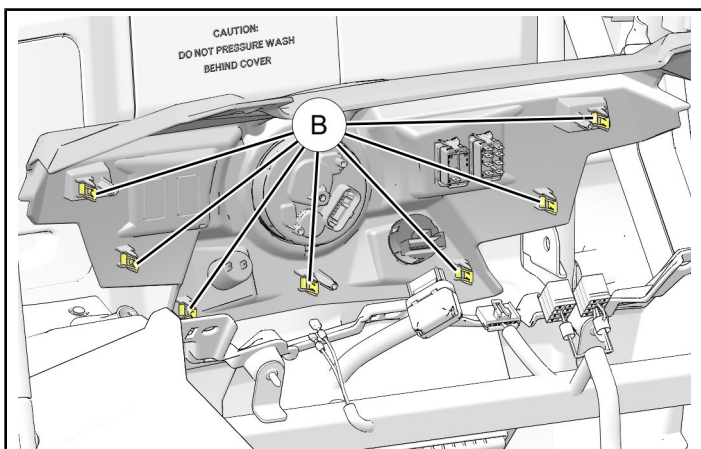
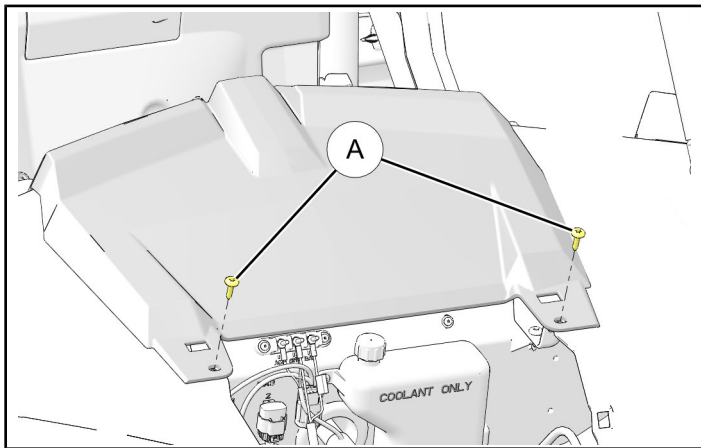


| REF | PART DESCRIPTION        | WIRE COLOR | PIN QTY/<br>GENDER | CONNECTS TO                      |
|-----|-------------------------|------------|--------------------|----------------------------------|
| 10A | Connector, Splitter/Amp | -          | 2 male             | Splitter harness ⑨, connector 9C |
| 10B | Connector, Speaker      | -          | 2 female           | Speaker assembly ① or ⑤          |

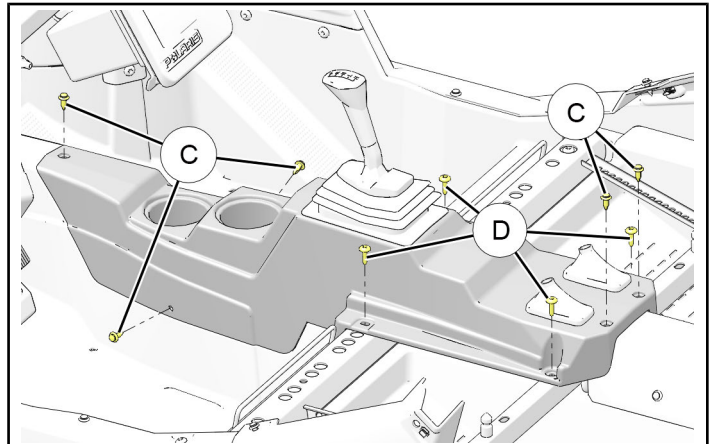
## INSTALLATION INSTRUCTIONS

1. Shift vehicle transmission into "PARK". Turn key to "OFF" position and remove from vehicle.
2. Remove left rear passenger seat and disconnect black negative (-) cable from battery.
3. Gain access.
  - a. Remove hood.
  - b. Remove three remaining seats.
  - c. Remove engine access panel (located between rear seats).
  - d. Remove windshield (if installed).
  - e. Remove two screws (A) securing front of upper dash panel, then carefully pull panel rearward, disengaging seven retaining clips (B). Retain screws.

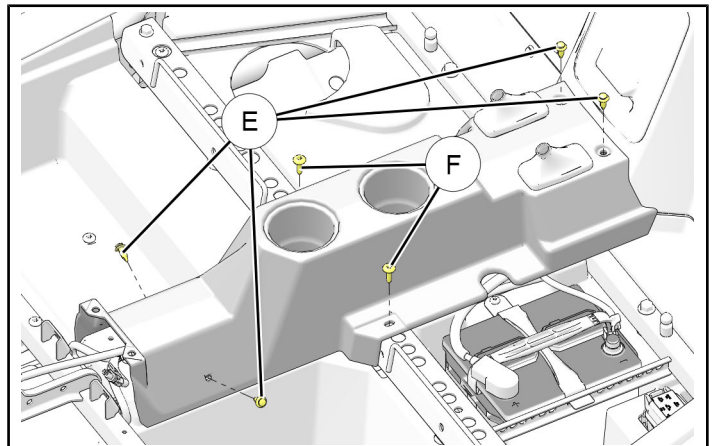
If necessary for access, label and disconnect other electrical harnesses from control panel.



- f. Remove center floor console.
  - i. Remove five push pin rivets (C) and four screws (D) from front floor console. Remove console, pushing boots for gear shift and seat belt through console openings. Retain rivets and screws.



- ii. Remove four push pin rivets (E) and two screws (F) from rear floor console. Remove console, pushing boots for gear shift and seat belt through console openings. Disconnect RH side auxiliary power port (if installed). Retain rivets and screws.



4. Install speaker assemblies.

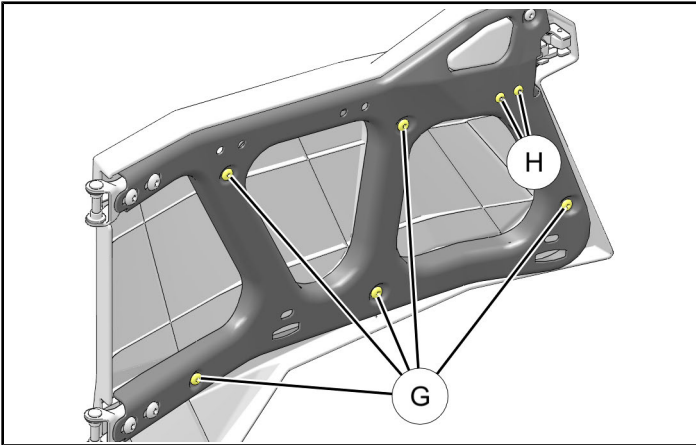
**NOTE**

LH side shown; RH side opposite.

- a. Remove five screws ⑥ from inner side of door frame. Retain screws.

**NOTE**

Do NOT remove two screws ⑧; cutouts are provided in speaker assembly for these screws.

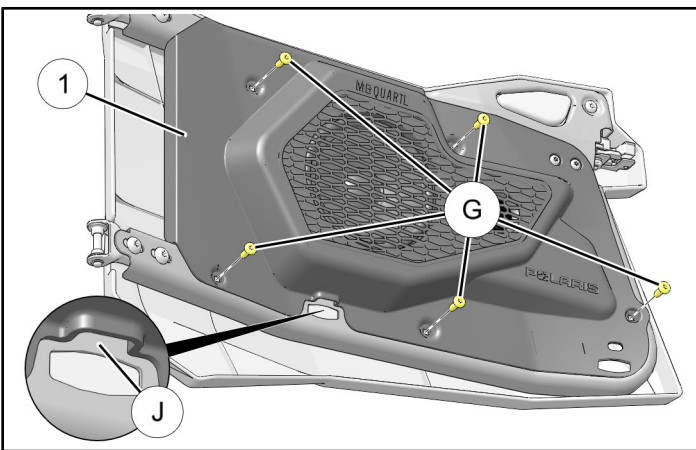


- b. Position speaker wires between lower rear corner of speaker assembly ① and exterior door panel, then route towards lower hinge.

Install speaker assembly to door frame using five retained screws ⑥.

**NOTE**

Speaker wires should NOT be routed through opening ①; opening is for installation of Lower Door Insert Kit, PN 2879942 (sold separately).



- c. Repeat Steps a. and b. for RH speaker assembly ⑤.

5. Install splitter harnesses.

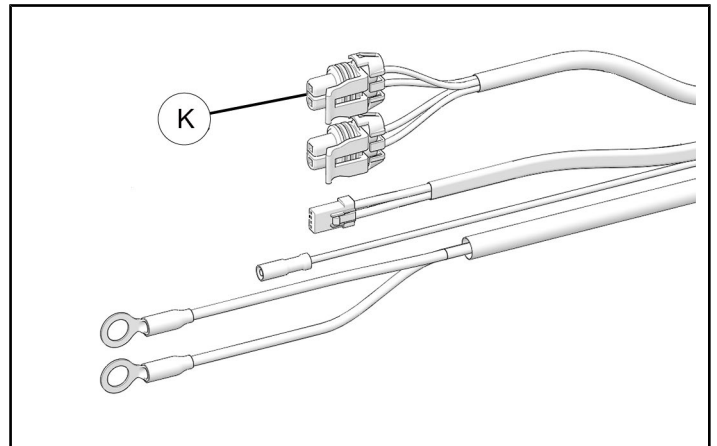
**NOTE**

See previous section, **HARNES DETAIL**, for connector identification.

This step splits the left and right signals from the amplifier into left front/left rear, and right front/right rear. Connections will be WHITE to WHITE, and GRAY to GRAY.

**LEFT SIDE**

- a. Disconnect existing LEFT front speaker harness (WHITE wires) from corresponding amplifier connector ⑫. Do not disconnect existing RIGHT front speaker harness (GRAY wires) at this time.



- b. Join connector 9A on WHITE wire splitter harness ⑨ to amplifier connector ⑫.
- c. Join connector 9B on WHITE wire splitter harness ⑨ to LEFT front speaker harness (WHITE wires).

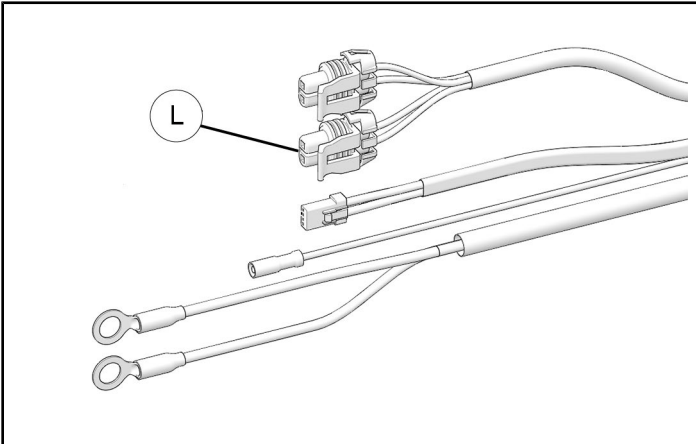
**NOTE**

Connectors 9B and 9C are electrically and physically identical. The same signal is sent to front and rear speakers. It does not matter which is used.



## RIGHT SIDE

- a. Disconnect existing RIGHT front speaker harness (GRAY wires) from corresponding amplifier connector ①.



- b. Join connector 9A on GRAY wire splitter harness ⑨ to amplifier connector ①.
- c. Join connector 9B on GRAY wire splitter harness ⑨ to RIGHT front speaker harness (GRAY wires).

### NOTE

Both connectors 9C (white and gray) will be joined to rear speaker harnesses ⑩ in next section.

6. Install speaker harnesses.

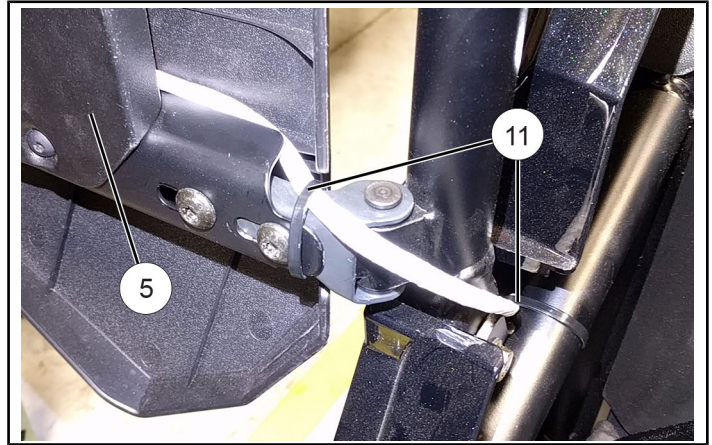
### NOTE

See previous section, **HARNESS DETAIL**, for connector identification.

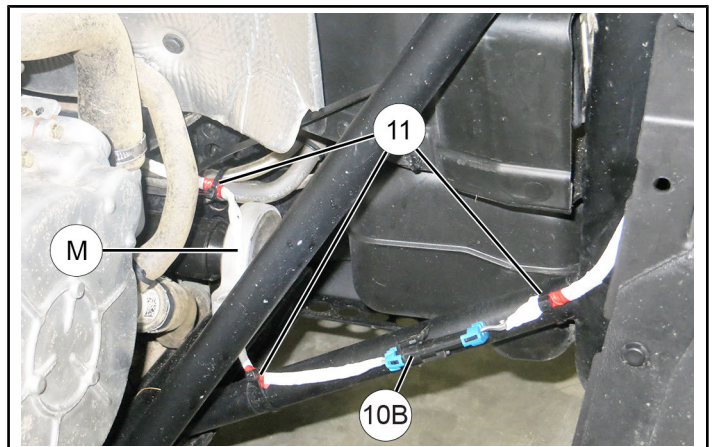
### NOTE

RH side shown; LH side opposite.

- a. Route wires from RIGHT REAR speaker assembly ⑤ to vehicle interior, then downward into wheel well between vehicle frame and body panel. Ensure adequate wire slack exists (with door fully open), then secure wires to door and vehicle frame using two cable ties ⑪.



- b. Join speaker wires to connector 10B on GRAY wire speaker harness ⑩, then secure to vehicle frame using one cable tie ⑪ on each side of connector.

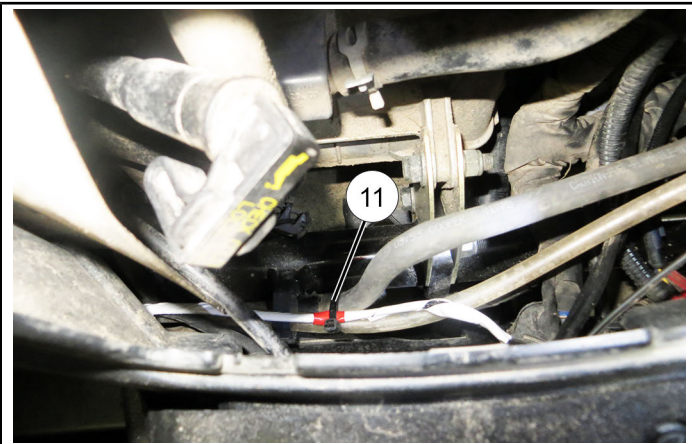
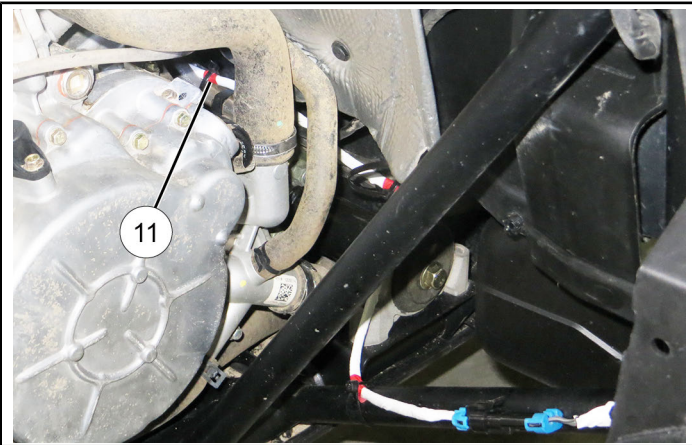


- c. Route GRAY wire speaker harness ⑩ forward above engine mount ①, then inboard towards vehicle centerline. Secure harness to existing vehicle routing clamp near engine mount using one cable tie ⑪ as shown in previous step.

- d. Continue routing GRAY wire speaker harness ⑩ inboard along existing vehicle routing, then forward into center console. Secure harness to existing vehicle routing clamp using one cable tie ⑪.

**NOTE**

Same cable tie shown in two different views. First view looking forward and inboard from right rear wheel well; second view looking rearward and downward through engine access panel.



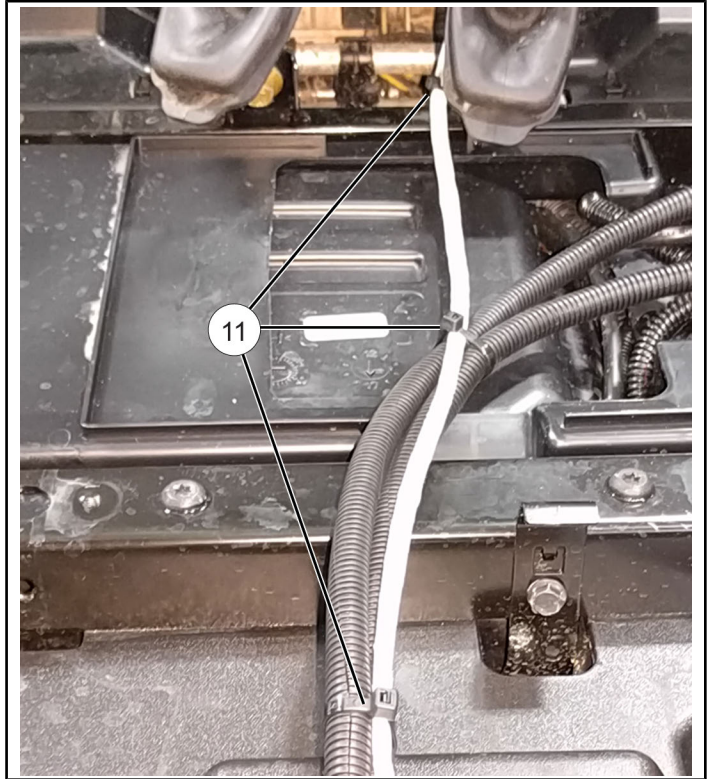
- e. Repeat Steps a. through d. for LH speaker assembly ① and WHITE wire speaker harness ⑩.

- f. Route both white and gray speaker harnesses ⑩ forward through center console, following battery cables, then up into upper dash compartment to amplifier.

Secure speaker harnesses to battery cables using seven cable ties ⑪.

**NOTE**

White harness routing shown; gray harness routing similar.



- g. Connect speaker harnesses to splitter harnesses:
    - i. Connector 10A on WHITE wire speaker harness ⑩ to connector 9C on WHITE wire splitter harness ⑨.
    - ii. Connector 10A on GRAY wire speaker harness ⑩ to connector 9C on GRAY wire splitter harness ⑨.
  - h. Coil and secure excess harness length in upper dash compartment using cable ties ⑪ to prevent contact with hot components, sharp edges, or moving parts.
7. Reconnect black negative (-) cable to battery and reinstall seat.
  8. Restore access.

## FEEDBACK FORM

A feedback form has been created for the installer to provide any comments, questions or concerns about the installation instructions. The form is viewable on mobile devices by scanning the QR code or by clicking [HERE](#) if viewing on a PC.

