

BLUETOOTH® AUDIO REMOTE



P/N 2883113

APPLICATION

Verify accessory fitment at Polaris.com.

BEFORE YOU BEGIN

Read these instructions and check to be sure all parts and tools are accounted for. Please retain these installation instructions for future reference and parts ordering information.

KIT CONTENTS

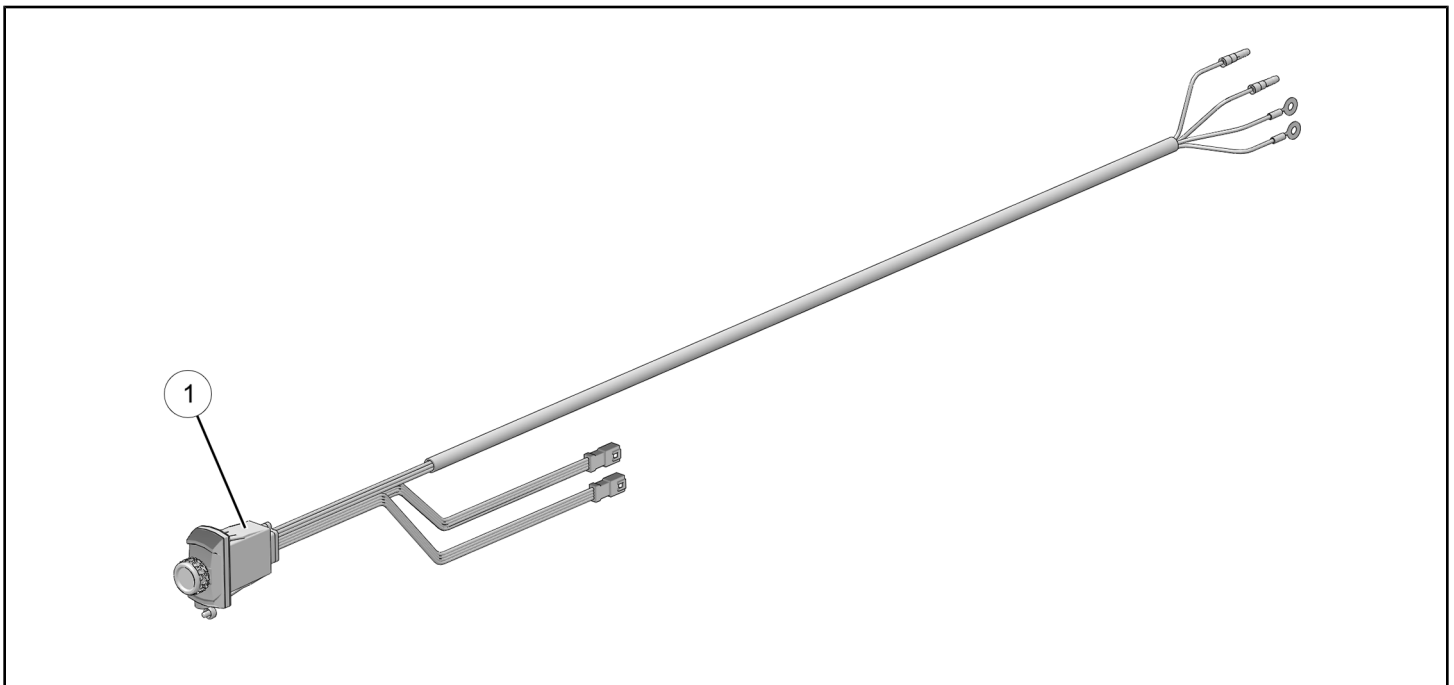
This kit contains parts for installation of the Bluetooth® audio remote only. Installation of a source unit, in addition to one or more of the following amplified speaker systems, is also required (sold separately):

- Door Panel Speaker Kit, PN 2881989, and corresponding Door Panel Speaker Amplifier Kit, PN 2882122
- Extreme Audio Pods, PN 2881227, and any required harness(es)
- Subwoofer Kit, PN 2882063, and any required harness(es)
- Other equivalent audio component and any required harness(es)

NOTE

TWO sets of audio output connections provided. Y-Harness Kit (PN 2881651, 2883269, or equivalent), may be used to provide additional output connections.

This Kit includes:



REF	QTY	PART DESCRIPTION	PART NUMBER
1	1	Bluetooth® Audio Remote	-
	1	Instructions	9928520

TOOLS REQUIRED

- Safety Glasses
- Cutting Tool
- Deburring Tool
- Screwdriver Set, Torx®
- Socket Set, Metric
- Wrench Set, Metric

IMPORTANT

Your Bluetooth® Audio Remote is exclusively designed for your vehicle. Please read the installation instructions thoroughly before beginning. Installation is easier if the vehicle is clean and free of debris. For your safety, and to ensure a satisfactory installation, perform all installation steps correctly in the sequence shown.

ASSEMBLY TIME

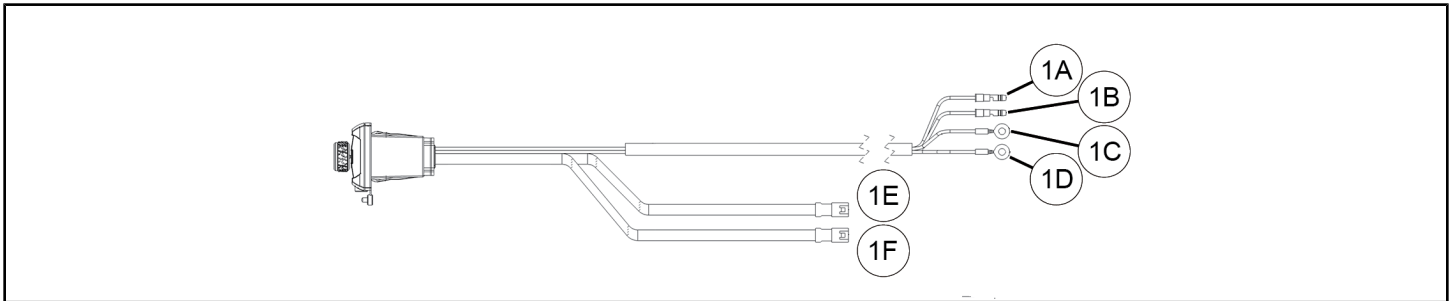
Approximately 40 minutes

NOTE

Additional time may be required to accommodate other accessories.

HARNESS DETAIL

AUDIO REMOTE ①:



REF	PART DESCRIPTION	WIRE COLOR	PIN QTY/ GENDER	CONNECTS TO
1A/1B*	Connector, Bullet, Audio Remote	Blue	1 male	Amplified speaker remote connection(s); see Kit Contents for details
1C	Terminal, Ring - 1/4 inch (6 mm)	Orange	-	Terminal block accessory switched positive (+); post may be identified as "ACC"
1D	Terminal, Ring - 1/4 inch (6 mm)	Black	-	Terminal block negative (-); post may be identified as "GND"
1E/1F*	Connector, Audio Signal	-	4 female	Amplified speaker signal connection(s); see Kit Contents for details

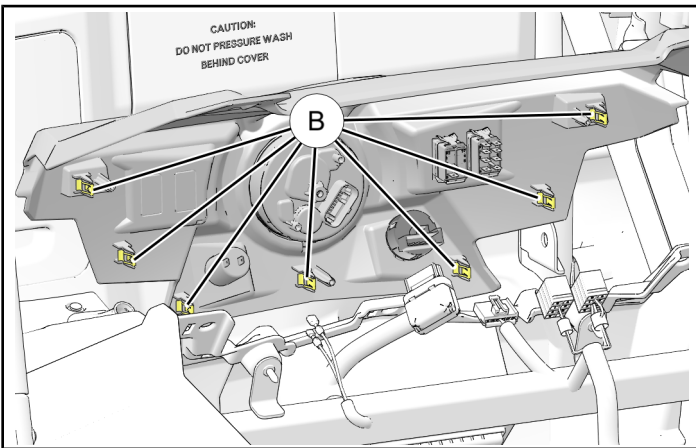
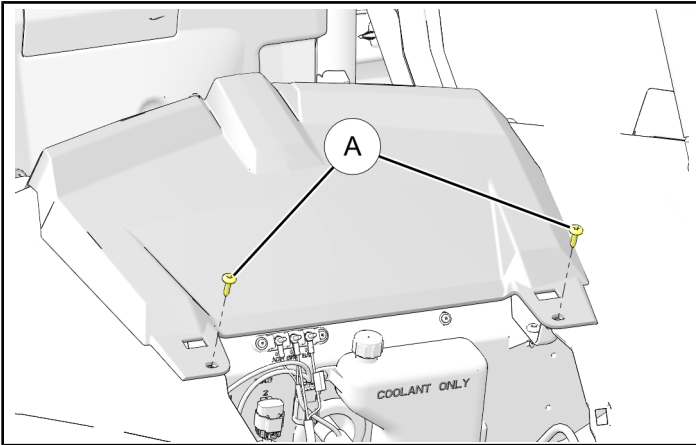
* Output within each connector pair is identical; it does not matter which connector is used.

INSTALLATION INSTRUCTIONS

1. Shift vehicle transmission into "PARK". Turn ignition switch to "OFF" position and remove key.
2. Remove driver's (or left rear passenger) seat and disconnect black negative (-) cable from battery.
3. Gain access.
 - a. Remove hood.
 - b. Remove windshield (if installed).

4. Install audio remote.

- a. Remove two screws **A** securing front of upper dash panel, then carefully pull panel rearward, disengaging seven retaining clips **B**. Retain screws.

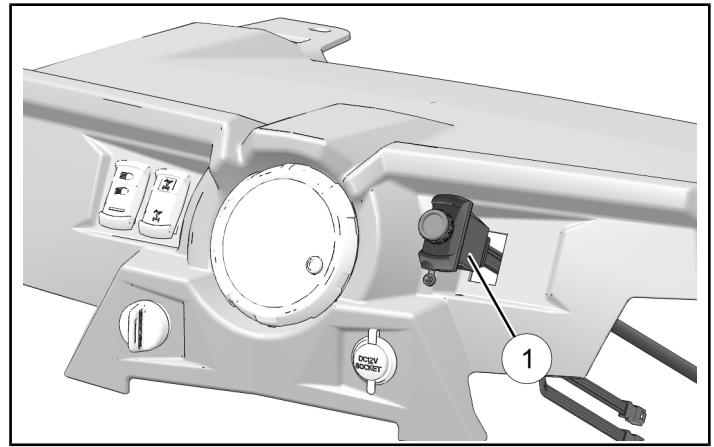


- b. Label and disconnect electrical harnesses from switches, sockets, or other devices in upper dash panel.
- c. Carefully cut one rectangular switch opening from upper dash panel. Openings are marked on interior of panel. Debur edges.

IMPORTANT

Although any open location may be used, access to 3.5 mm input on bottom of audio remote ① may be restricted depending on installation location and dash panel configuration.

If no suitable location exists in existing panel Polaris recommends installation of Switch Panel Kit, PN 2881987 (sold separately).



- d. Install audio remote ① in dash panel opening. Ensure volume markings are up, and auxiliary input jack is down.
- e. Return upper dash to vehicle, then reconnect electrical harnesses disconnected in previous Step b.
- f. Join either (or both) audio signal connectors 1E/1F to amplified speaker system. See Kit Contents for system detail.

NOTE

See previous section, **HARNES DETAIL**, for connector identification.

- g. Route audio remote connectors 1A/1B and ring terminals 1C and 1D from upper dash compartment forward through firewall grommet into under-hood compartment.
- h. Join either (or both) audio remote connectors 1A/1B to amplified speaker system. See Kit Contents for system detail.
- i. Join **ORANGE** wire ring terminal 1C to terminal block post with existing **ORANGE** wire (accessory switched 12V POS); post may be identified as "ACC".
- j. Join **BLACK** wire ring terminal 1D to terminal block with existing **BLACK** battery connection cable (12V NEG); post may be identified as "GND".
- k. Secure audio remote ① wiring as required to prevent contact with hot components, sharp edges, or moving parts.
- l. Reinstall upper dash panel using two retained screws **A**.
5. Restore access.
6. Reconnect black negative (-) cable to battery and reinstall seat.

FEEDBACK FORM

A feedback form has been created for the installer to provide any comments, questions or concerns about the installation instructions. The form is viewable on mobile devices by scanning the QR code or by clicking [HERE](#) if viewing on a PC.

