

STORAGE BOX



P/N 2883279

APPLICATION

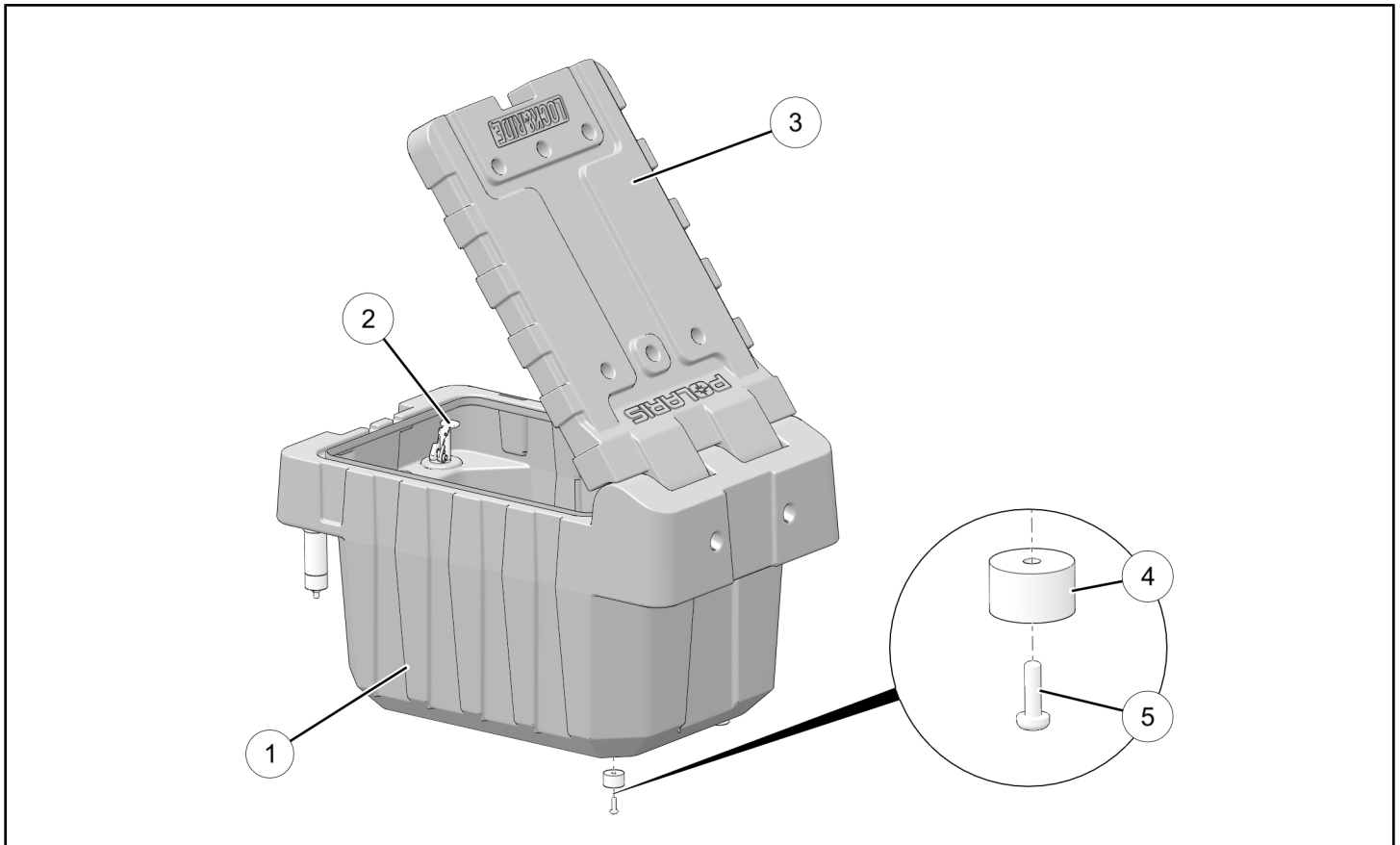
Verify accessory fitment at Polaris.com.

BEFORE YOU BEGIN

Read these instructions and check to be sure all parts and tools are accounted for. Please retain these installation instructions for future reference and parts ordering information.

KIT CONTENTS

This Kit includes:



REF	QTY	PART DESCRIPTION	PART NUMBER
1	1	Box, Storage	-
2	2	Expansion Anchor Kit, Lock & Ride®	2877877
3	1	Lid, Storage Box	5450028
4	2	Pad	5414343
5	2	Screw, Torx® Pan Head - M6 X 1.0 X 20	7518546
	1	Instructions	9924875

TOOLS REQUIRED

- Safety Glasses
- Screwdriver, Phillips

- Screwdriver Set, Torx®
- Wrench Set, Metric

IMPORTANT

Your Storage Box is exclusively designed for your vehicle. Please read the installation instructions thoroughly before beginning. Installation is easier if the vehicle is clean and free of debris. For your safety, and to ensure a satisfactory installation, perform all installation steps correctly in the sequence shown.

ASSEMBLY TIME

Approximately 10 minutes

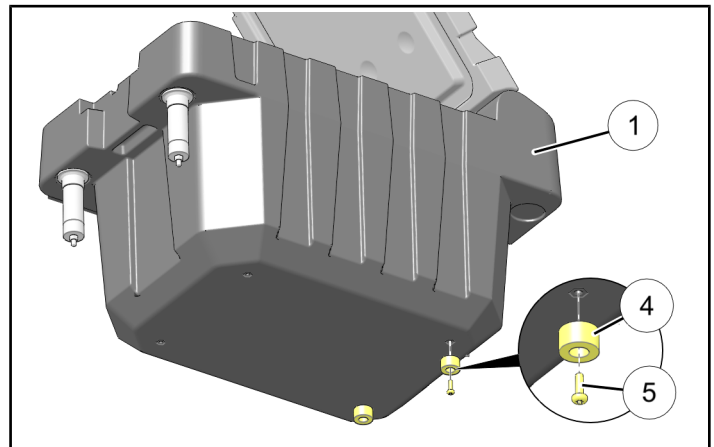
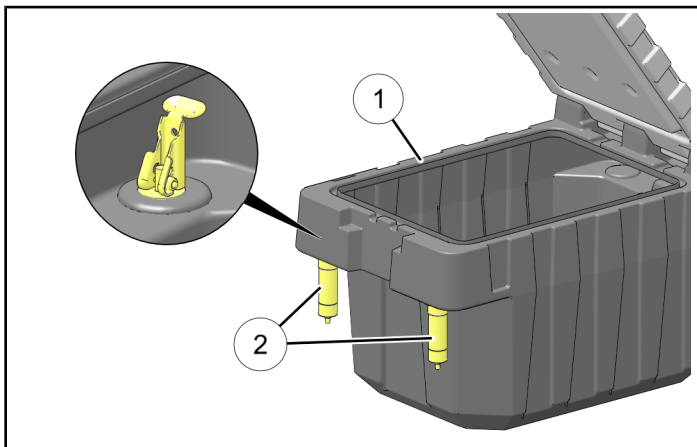
INSTALLATION INSTRUCTIONS

1. Shift vehicle transmission into “PARK”. Turn key to “OFF” position and remove from vehicle.
2. Install two LOCK & RIDE® expansion anchors ② to storage box ①.

- **Full-Size Ranger 1000, MY18 and newer:** Install two bumpers ④ to bottom of storage box ① (opposite end from expansion anchors) using two screws ⑤. Do not over-tighten screws.

NOTE

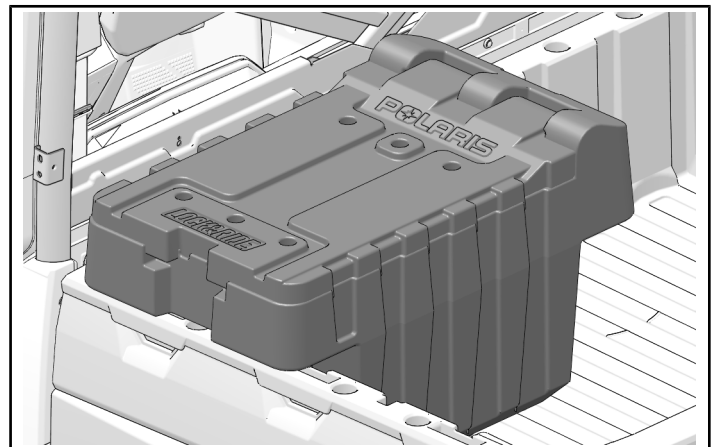
Refer to instructions packaged with expansion anchors.



3. Bumper installation depends on vehicle model and year:
 - **All EXCEPT Full-Size Ranger 1000, MY18 and newer:** Proceed to Step 4. Bumpers are not needed.

4. Ensure all expansion anchors ② are unlocked, then install storage box ① into bed until anchors are fully seated. Depress levers to lock in place.

If installation is loose, remove storage box from bed, tighten nut at base of affected anchor(s), and reinstall.



FEEDBACK FORM

A feedback form has been created for the installer to provide any comments, questions or concerns about the installation instructions. The form is viewable on mobile devices by scanning the QR code or by clicking [HERE](#) if viewing on a PC.

