

RANGER® 150 EFI FULL WINDSHIELD KIT



P/N 2883288

APPLICATION

Verify accessory fitment at Polaris.com.

⚠ WARNING

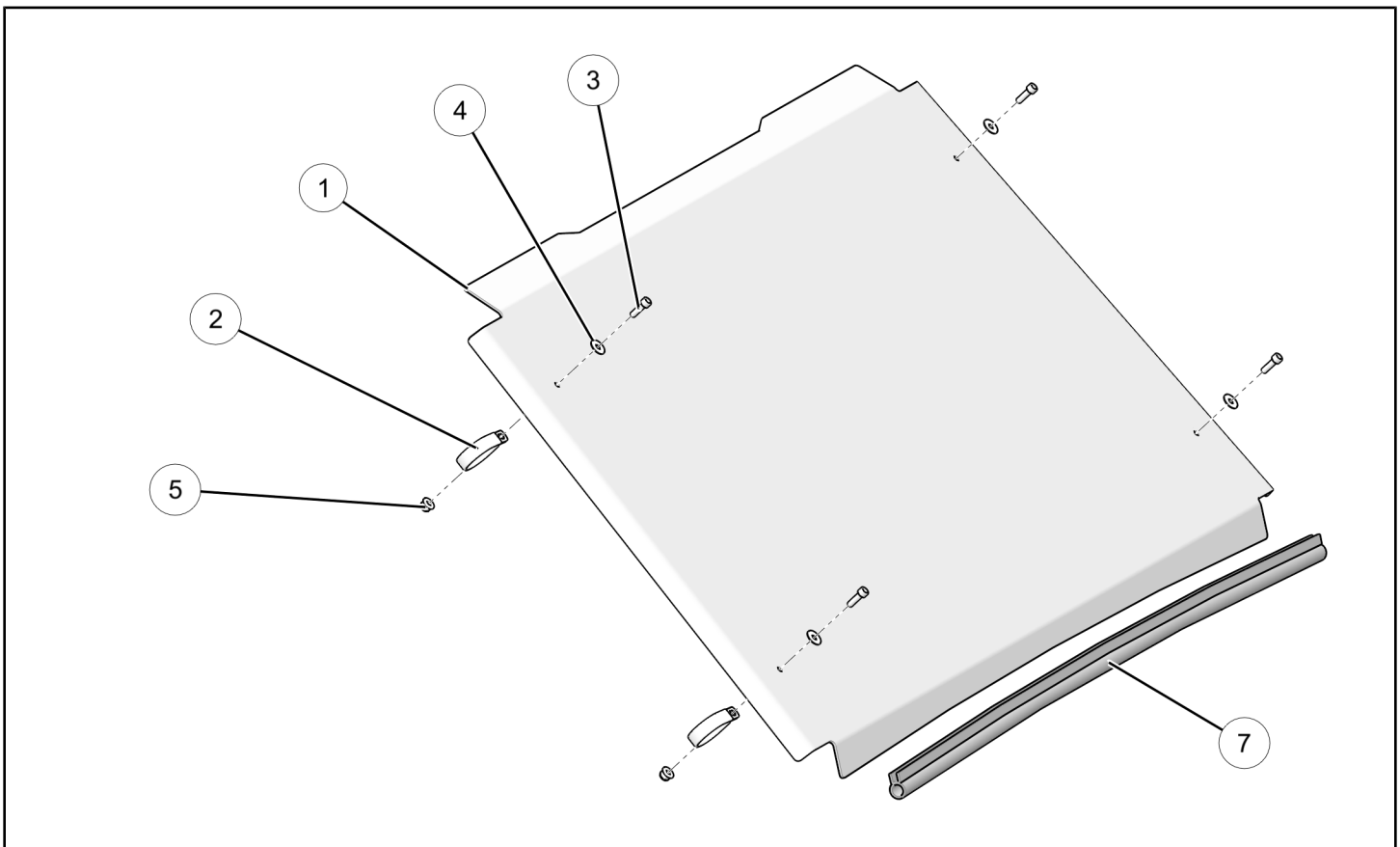
If transporting vehicle in non-enclosed trailer while the Full Windshield Kit, PN 2883288, is installed then vehicle **MUST FACE FORWARD**, or the Full Windshield Kit, PN 2883288, **MUST** be removed. Failure to comply may allow airflow, vibration, or other factors to separate the windshield from the vehicle and cause an accident, resulting in serious personal injury or death.

BEFORE YOU BEGIN

Read these instructions and check to be sure all parts and tools are accounted for. Please retain these installation instructions for future reference and parts ordering information.

KIT CONTENTS

This Kit contains:



REF	QTY	PART DESCRIPTION	PART NUMBER
1	1	Windshield - Full	5814689
2*	4	P-Clamp, 1.5" Rubber Dipped	7082439
3*	4	Screw - M6 X 1.0 X 20	-
4*	4	Washer - M6 Flat	-

REF	QTY	PART DESCRIPTION	PART NUMBER
5*	4	Locking Nut - M6 X 1.0	-
6	1	Hardware Kit	2207357
7*	1	Seal, Windshield	5416740
	1	Instructions	9928471

Items marked (*) are included in Hardware Kit PN 2207357.

TOOLS REQUIRED

- Safety Glasses
- Socket Set, Metric
- Torque Wrench
- Wrench Set, Metric
- Hex Key Set, Metric

IMPORTANT

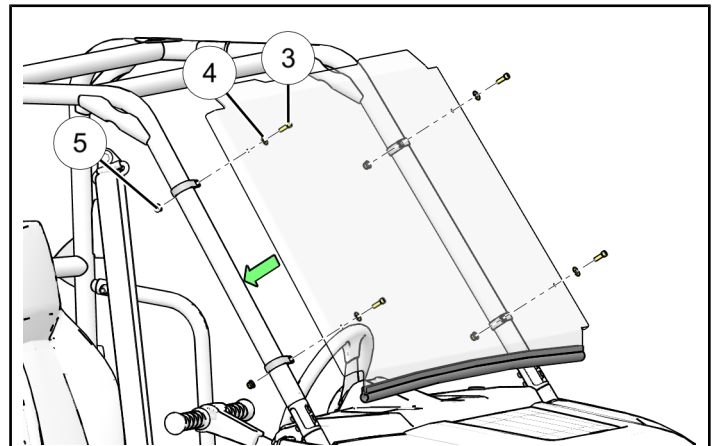
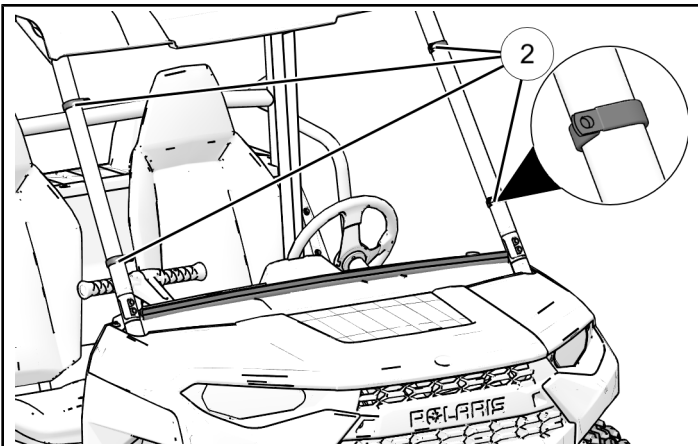
Your Ranger® 150 EFI Full Windshield Kit is exclusively designed for your vehicle. Please read the installation instructions thoroughly before beginning. Installation is easier if the vehicle is clean and free of debris. For your safety, and to ensure a satisfactory installation, perform all installation steps correctly in the sequence shown.

ASSEMBLY TIME

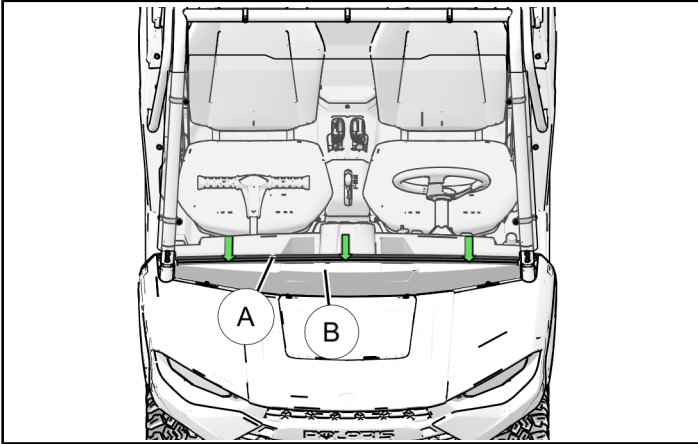
Approximately 18 minutes

INSTALLATION INSTRUCTIONS

1. Shift vehicle transmission into "PARK". Turn ignition switch to "OFF" position and remove key.
2. Place all four P-Clamps ② in the approximate locations shown onto the forward most ROPS tubes making sure they are orientated as shown.
3. After installing the P-Clamps, place the windshield ① into position and line up all mounting holes. Once lined up insert the mounting hardware ③/④/⑤ as shown. DO NOT TIGHTEN at this time.

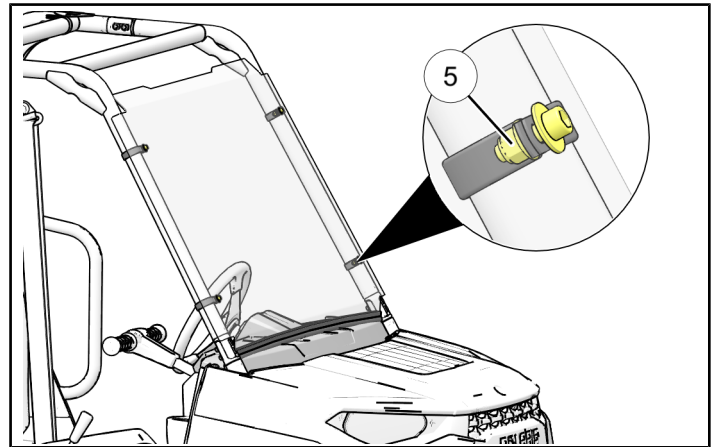


4. After installing and BEFORE TIGHTENING the mounting hardware, firmly pull the windshield downward to ensure the rubber gasket (A) comes in contact with the upper dash panel (B).



5. Once windshield is in the proper position, torque mounting fasteners (5) on all four corners of windshield to specification provided.

TORQUE
6 ft. lbs. (8.1 Nm)



6. Ensure all tools are accounted for and all steps have been completed.

FEEDBACK FORM

A feedback form has been created for the installer to provide any comments, questions or concerns about the installation instructions. The form is viewable on mobile devices by scanning the QR code or by clicking [HERE](#) if viewing on a PC.

