

SPORTSMAN® XP REAR RACK KIT



P/N 2883258

APPLICATION

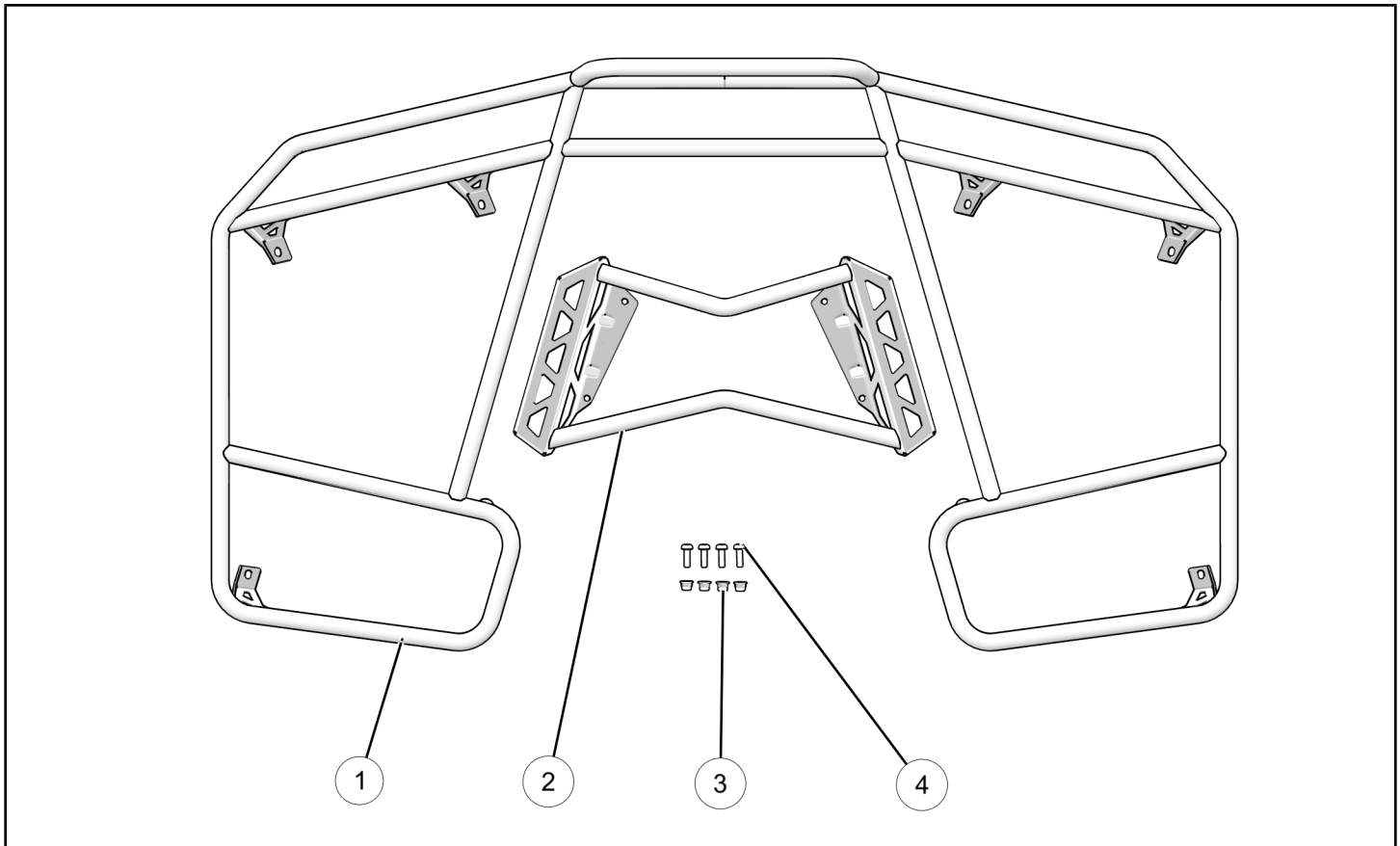
Verify accessory fitment at Polaris.com

BEFORE YOU BEGIN

Read these instructions and check to be sure all parts and tools are accounted for. Please retain these installation instructions for future reference and parts ordering information.

KIT CONTENTS

This Kit Contains:



| REF | QTY | PART DESCRIPTION | PART NUMBER |
|-----|-----|------------------------|-------------|
| 1 | 1 | Asm-Rack, Rear | 1023684 |
| 2 | 1 | Asm-Rack, Rear, Center | 1023731 |
| 3 | 4 | Screw, M6X1.0 | 7517370 |
| 4 | 4 | Nut, M6X1.0 | 7547453 |
| | 1 | Instructions | 9928434 |

NOTE

Rack is not compatible with rear rack extenders 2882021/2882023 or with Lock & Ride cargo box 2882026.

TOOLS REQUIRED

- Safety Glasses
- Wrench Set, Metric
- Socket Set, Torx® Bit

- Drill
- Drill Bit: 1/4 inch

IMPORTANT

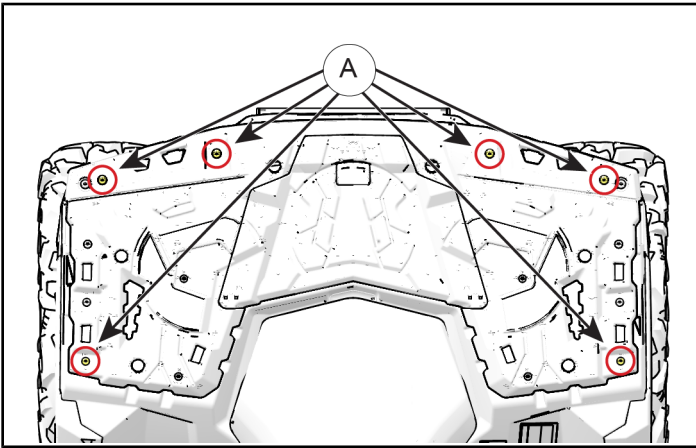
Your Sportsman® XP Rear Rack Kit is exclusively designed for your vehicle. Please read the installation instructions thoroughly before beginning. Installation is easier if the vehicle is clean and free of debris. For your safety, and to ensure a satisfactory installation, perform all installation steps correctly in the sequence shown.

ASSEMBLY TIME

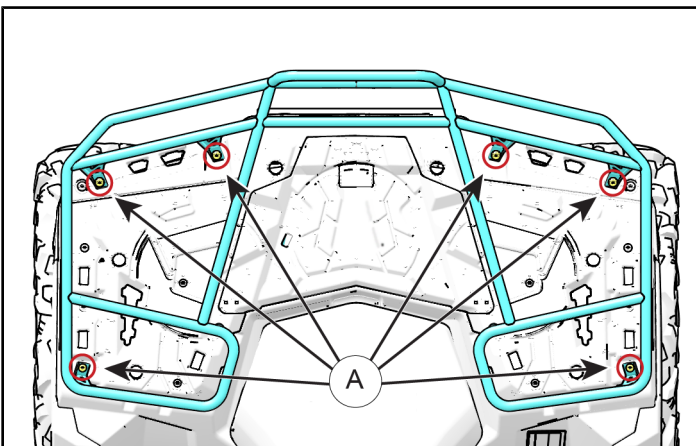
Approximately 24 minutes

INSTALLATION INSTRUCTIONS

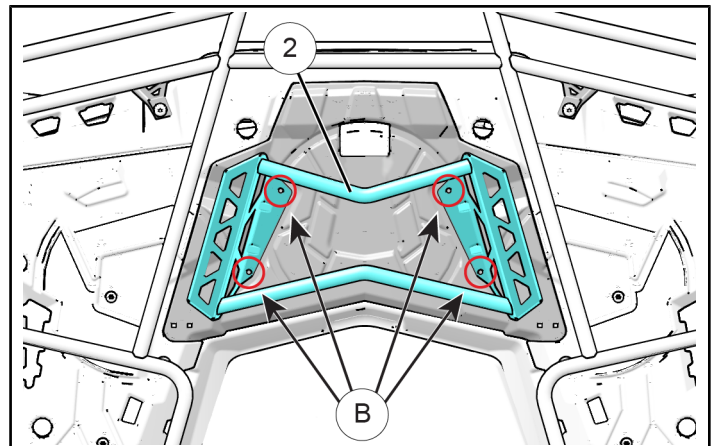
1. Shift vehicle transmission into "PARK". Turn key to "OFF" position and remove from vehicle.
2. Remove six screws (A) from shown locations. Retain screws for later use.



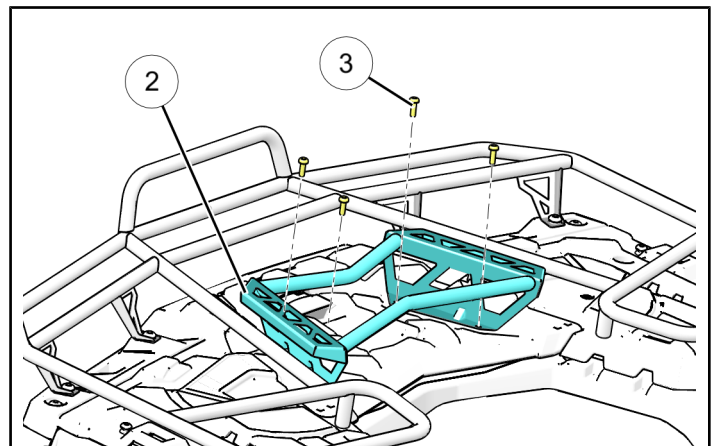
3. Place rack on rear platform, align mounting holes and fasten using the screws (A) removed in the previous step.



4. Place center section of rack (2) in the location shown. Use contours on rear storage bin cover to align center rack section evenly. Once aligned, use a suitable marker or scribe to mark the location of the mounting holes (B).

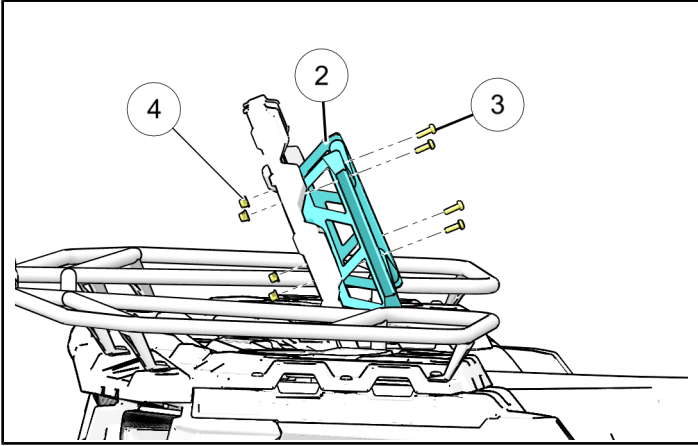


5. Once marked, remove center rack section and drill new mounting holes using the drill and 1/4 inch drill bit.
6. Place rack on rear storage bin cover, align holes and insert provided screws (3) into newly drilled holes.



7. Open rear storage box cover to gain access to the underside. Use provided nuts ④ and screws ③ to secure center rack section ② into position.

8. Check to ensure all tools are accounted for and all steps have been completed.



FEEDBACK FORM

A feedback form has been created for the installer to provide any comments, questions or concerns about the installation instructions. The form is viewable on mobile devices by scanning the QR code or by clicking [HERE](#) if viewing on a PC.

FEEDBACK FORM

