

UNDERSEAT STORAGE KIT



P/N 2882910

APPLICATION

Verify accessory fitment at Polaris.com.

IMPORTANT

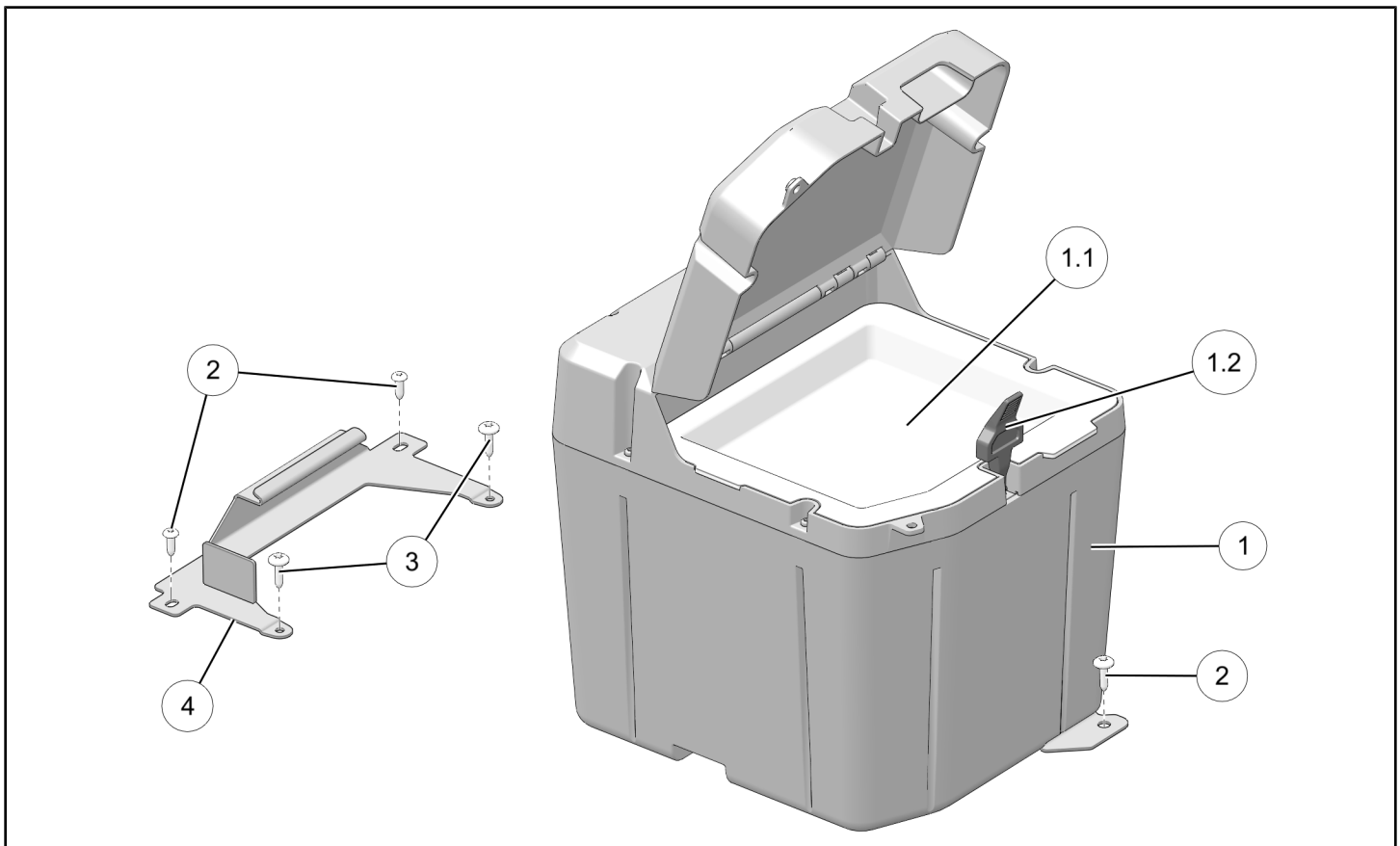
This Underseat Storage Kit is not compatible with the Subwoofer Kit (PN 2882890)

BEFORE YOU BEGIN

Read these instructions and check to be sure all parts and tools are accounted for. Please retain these installation instructions for future reference and parts ordering information.

KIT CONTENTS

This Kit includes:



REF	QTY	PART DESCRIPTION	PART NUMBER
1	1	Compartment (includes items 1.1–1.2 below)	-
1.1*	1	- Tray	-
1.2*	1	- Latch, Rubber	-
2	3	Screw, Torx® Truss Head, High/Low - #14 X 3/4	7519045
3	2	Screw, Torx® Truss Head - M6 X 1.0 X 25	7519650

REF	QTY	PART DESCRIPTION	PART NUMBER
4	1	Bracket	-
	1	Instructions	9928202

Items marked (*) are included in Hardware Kit PN 2207578.

TOOLS REQUIRED

- Safety Glasses
- Drill
- Drill Bit: 1/8 inch (3 mm)
- Screwdriver Set, Torx®
- Socket Set, Torx® Bit
- Torque Wrench

IMPORTANT

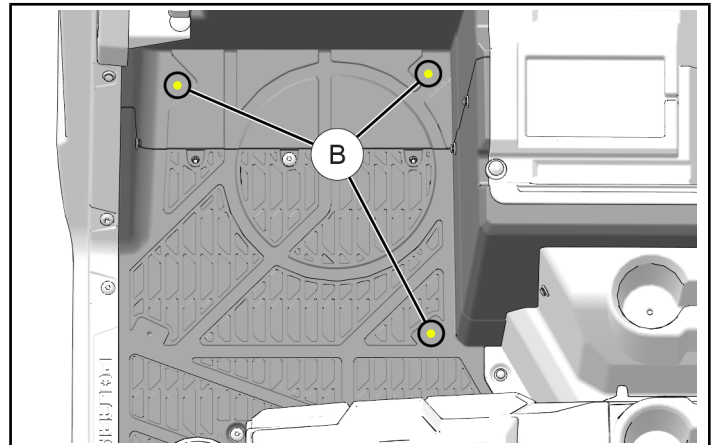
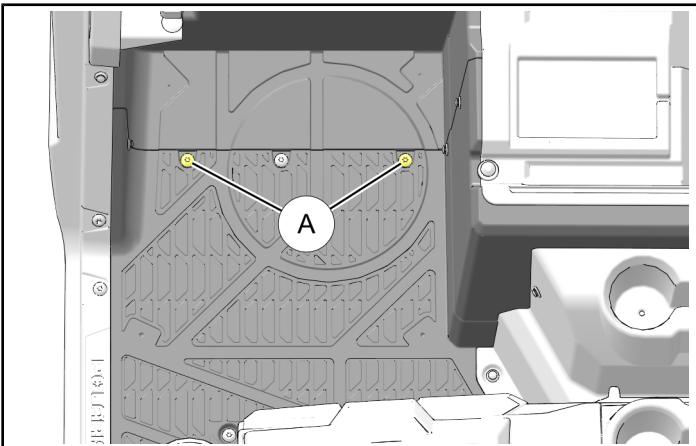
Your Underseat Storage Kit is exclusively designed for your vehicle. Please read the installation instructions thoroughly before beginning. Installation is easier if the vehicle is clean and free of debris. For your safety, and to ensure a satisfactory installation, perform all installation steps correctly in the sequence shown.

INSTALLATION INSTRUCTIONS

1. Shift vehicle transmission into “PARK”. Turn ignition switch to “OFF” position and remove key.
2. Remove two screws (A). Screws will not be reused.
3. Drill 1/8 inch (3 mm) holes at three indented marks (B). Only drill deep enough to penetrate floor surface and enter pre-drilled bosses on opposite side of floor panels.

NOTE

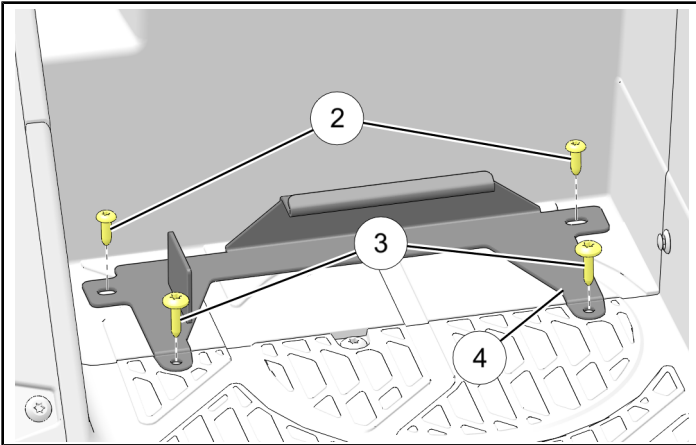
View looking down at front passenger side floor.



4. Install bracket ④ to floor using two each screws ② and ③. Torque to specification.

TORQUE

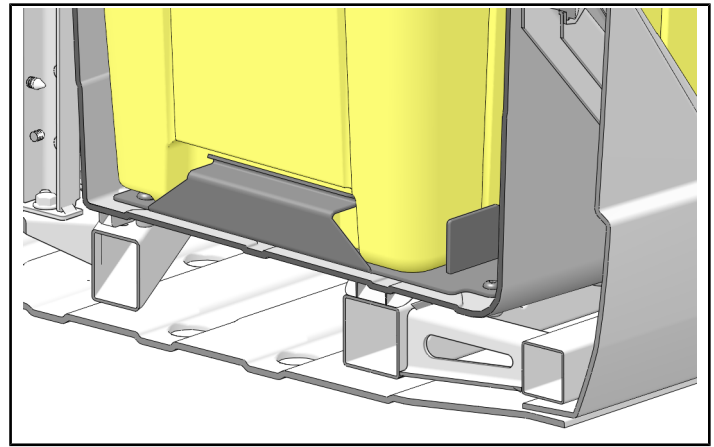
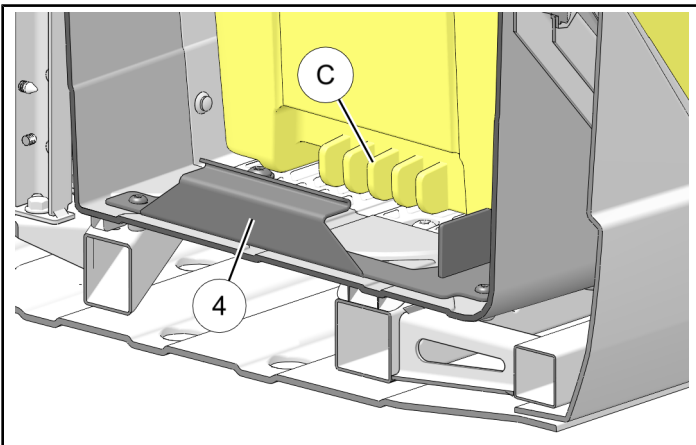
#14 high-low screws ②: 20 in. lbs. (2.3 Nm) ± 10%
M6 screws ③: 6 ft. lbs. (8 Nm) ± 10%



5. Slide compartment ① rearward until locking tabs ③ fully engage bracket ④.

NOTE

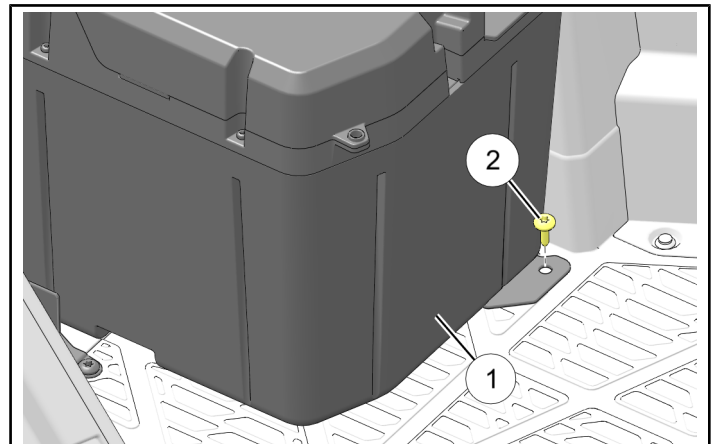
Section view looking forward.



6. Secure front of compartment ① using screw ② through drilled hole. Torque to specification.

TORQUE

#14 high-low screw ②: 20 in. lbs. (2.3 Nm) ± 10%



FEEDBACK FORM

A feedback form has been created for the installer to provide any comments, questions or concerns about the installation instructions. The form is viewable on mobile devices by scanning the QR code or by clicking [HERE](#) if viewing on a PC.

FEEDBACK FORM

