

HOMELINK® DOOR OPENER KIT



P/N 2882892

APPLICATION

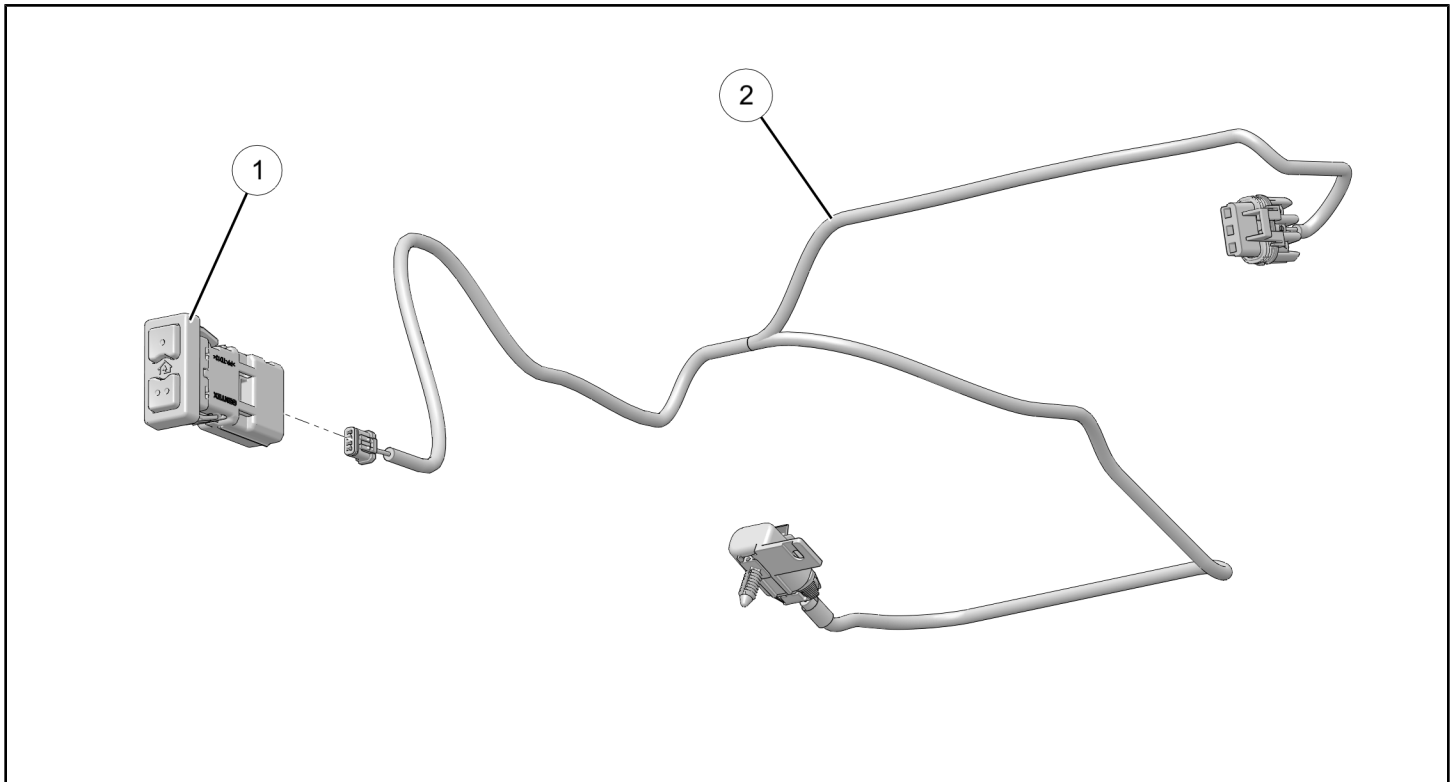
Verify accessory fitment at Polaris.com.

BEFORE YOU BEGIN

Read these instructions and check to be sure all parts and tools are accounted for. Please retain these installation instructions for future reference and parts ordering information.

KIT CONTENTS

This Kit includes:



REF	QTY	PART DESCRIPTION	PART NUMBER
1	1	Switch Module, HomeLink®	4016679
2	2	Harness, HomeLink®	2413971
3	1	Cable Tie (not shown)	-
	1	Instructions	9928092

HomeLink® is a registered trademark of Gentex Corporation.

TOOLS REQUIRED

- Safety Glasses
- Drill
- Drill Bit: 1/4 inch (6 mm)
- Pliers, Push Pin
- Cutting Tool

IMPORTANT

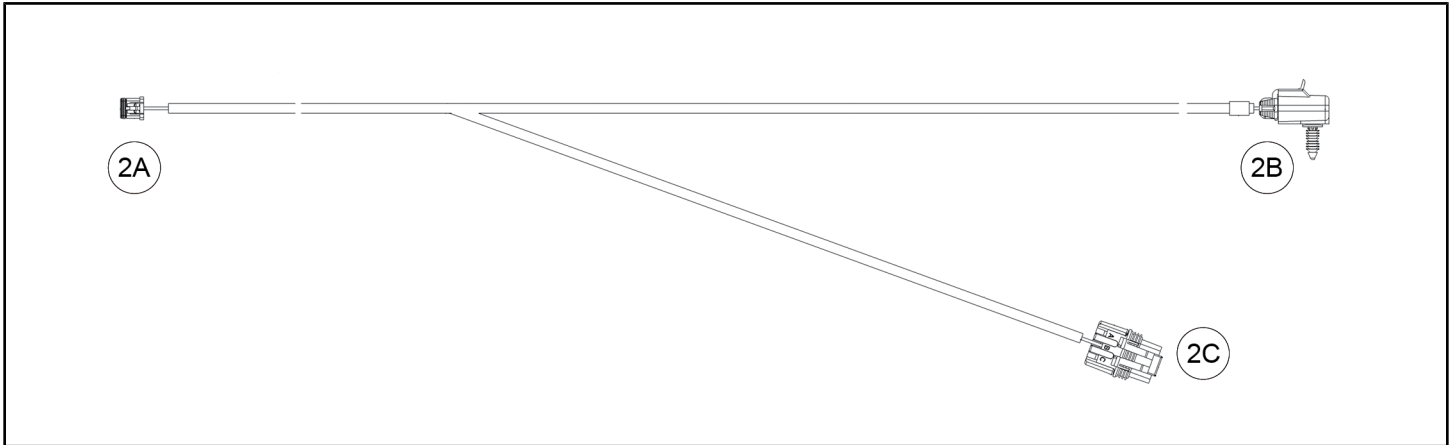
Your Homelink® Door Opener Kit is exclusively designed for your vehicle. Please read the installation instructions thoroughly before beginning. Installation is easier if the vehicle is clean and free of debris. For your safety, and to ensure a satisfactory installation, perform all installation steps correctly in the sequence shown.

ASSEMBLY TIME

Approximately 30–45 minutes

HARNESS DETAIL

HOMELINK® HARNESS ②:

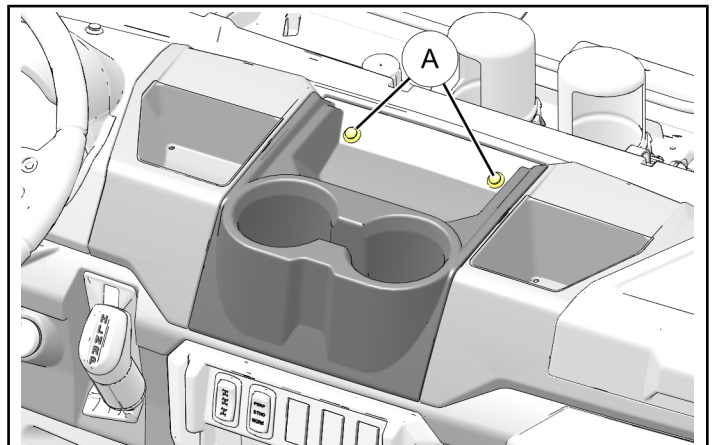


REF	PART DESCRIPTION	WIRE COLOR*	PIN QTY/ GENDER*	CONNECTS TO
2A	Connector, HomeLink® switch module	-	4 female	HomeLink® switch module, ①
2B	Fuse Block	-	-	Vehicle structure
2C	Connector, Terminal Block	-	3 female	Vehicle terminal block

* As required for identification.

INSTALLATION INSTRUCTIONS

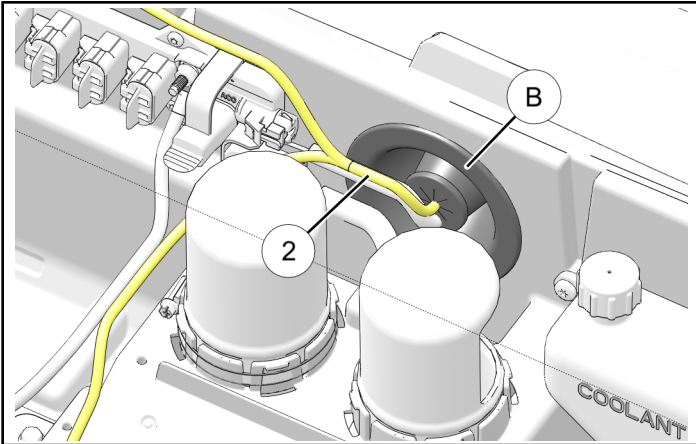
1. Shift vehicle transmission into “PARK”. Turn key to “OFF” position and remove from vehicle.
2. Flip up passenger seat bottom, remove driver’s seat and underseat storage compartment, then disconnect black negative (-) cable from battery.
3. Gain access.
 - a. Remove hood.
 - b. Remove upper dash cupholder by removing two push pin rivets ①, then sliding cupholder rearward. Retain rivets.



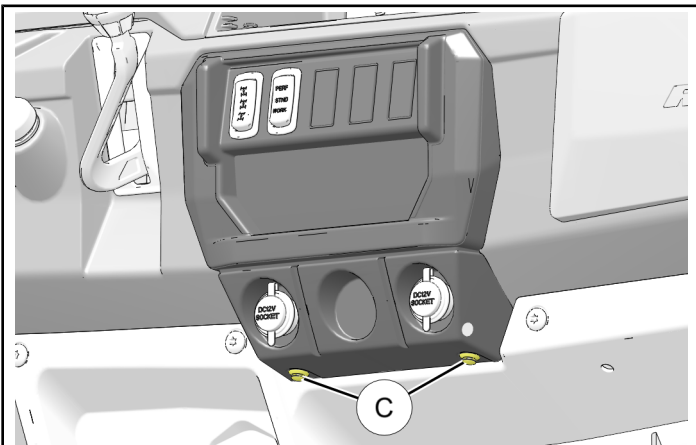
4. Route connector 2A on harness ② from under-hood compartment rearward through firewall grommet ③ into upper dash compartment.

NOTE

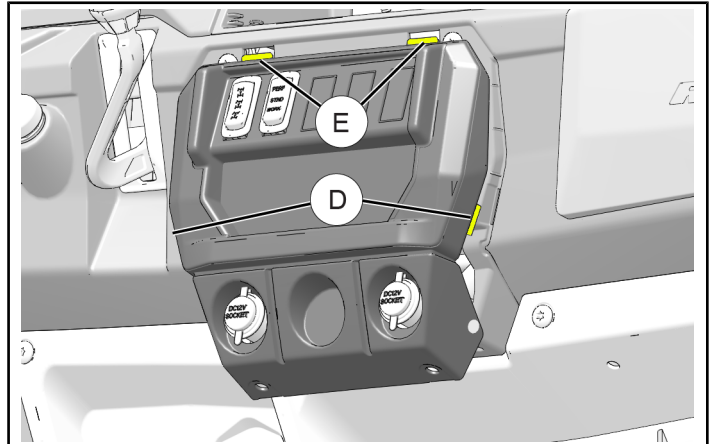
See previous section, **HARNESSES DETAIL**, for connector identification.
Fuse block 2B and connector 2C remain on forward side of firewall.



5. Install switch module.
 - a. Remove two push pin rivets ④ from lower face of control panel. Retain rivets.



- b. Rotate bottom of control panel rearward, disengaging two side tabs ⑤, then dropping two upper tabs ⑥ out of slots in main dash panel.

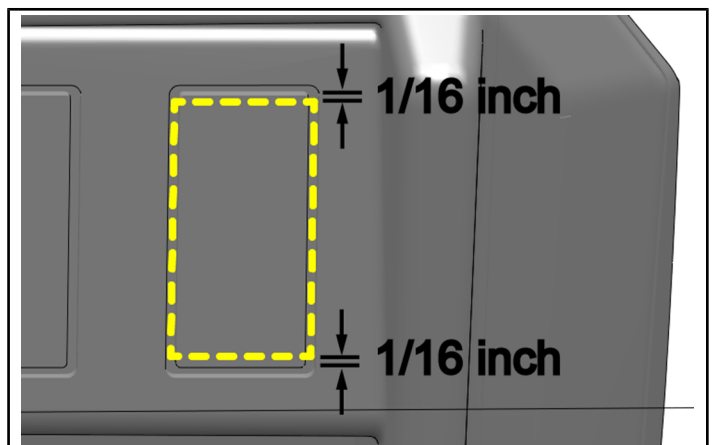


- c. Label and disconnect electrical harnesses from switches, sockets, or other devices in control panel.
 - d. Carefully cut out one rectangular switch blank from control panel as follows:
 - i. Cut LH and RH (vertical) edges in CENTER of recessed slot
 - ii. Cut upper (horizontal) edge 1/16 inch BELOW edge of recessed slot, and cut lower (horizontal) edge 1/16 inch ABOVE edge of recessed slot.

Switch module ① is slightly shorter than a standard switch; leaving extra material on upper and lower edges will provide increased switch retention in panel.

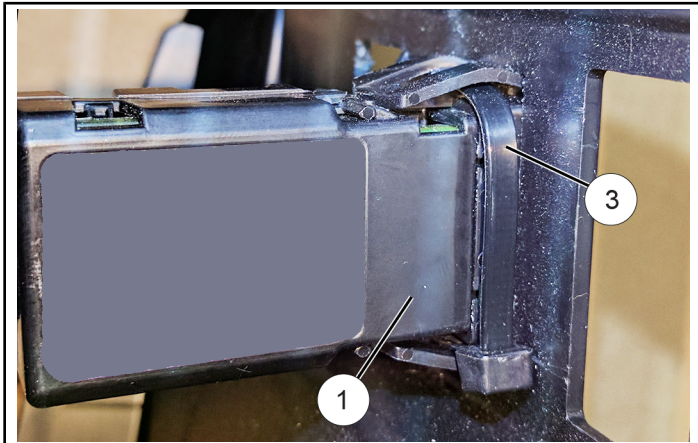
NOTE

Any open location may be used.

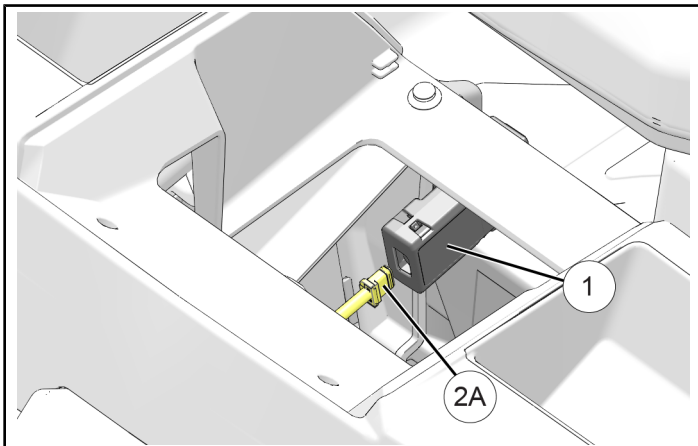


- e. Install switch module ① in control panel opening.

OPTIONAL: To provide greater switch retention in panel, thread cable tie ③ around switch, between locking tabs and body, as shown.



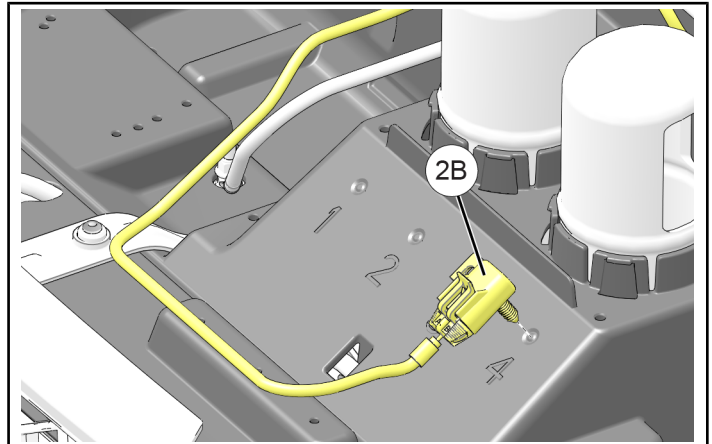
- f. Reconnect electrical harnesses disconnected in Step c. above, then reinstall control panel using two retained rivets ④.
- g. Join connector 2A to switch module ①.



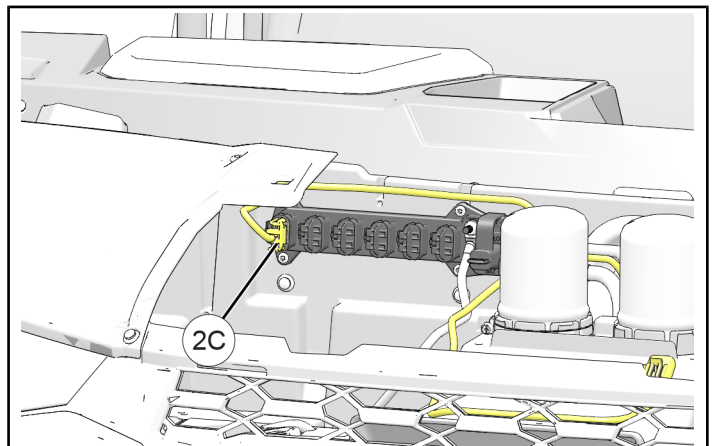
6. Drill out one accessory plug (1/4 inch) on under-hood liner, just forward of air intake ducts, then install fuse block 2B using attached fir tree clip.

IMPORTANT

Control drill depth to prevent damage to underlying structure or components.



7. Open power cap on vehicle terminal block at any open location, then plug in connector 2C.



8. Restore access.
9. Reconnect black negative (-) cable to battery, then reinstall under-seat storage compartment and driver's seat.

PROGRAMMING INSTRUCTIONS

ADDITIONAL INFORMATION

For more information, or for custom training instructions specific to your device, visit <http://www.HomeLink.com>.

BEFORE PROGRAMMING THE HOMELINK® REMOTE

CAUTION

Garage door openers, gates, or other devices may operate while programming this remote. Ensure all people, pets, and objects are clear of the garage door, gate, or other devices to prevent personal injury or property damage.

An existing door opener remote is required to program your HomeLink® remote. HomeLink® recommends installing a new battery in your existing remote for more accurate programming of the HomeLink® remote.

If the HomeLink® remote will be programmed to operate TWO openers, and only ONE of them is manufactured by Sommer, then you must program the Sommer opener first. See “SOMMER ROLLING CODE PROGRAMMING” below.

IMPORTANT

If you sell your vehicle, be sure to either remove the HomeLink® remote switch module ① or erase its memory! See “ERASING THE HOMELINK® REMOTE MEMORY (BOTH BUTTONS)”.

NOTE

Garage door openers manufactured after 1995 may be equipped with rolling code protection. If this is the case with your opener you may need a stepladder or other appropriate safe device to reach the “LEARN” or “SMART” button located on the opener.

PROGRAMMING A NEW HOMELINK® REMOTE

NOTE

The HomeLink® Remote is the same unit as the installed switch module ①.

1. Hold an existing remote 1-3 inches away from the installed switch module ①, ensuring you can clearly see the switch module indicator light.
2. Using both hands, simultaneously press and hold the existing remote button AND one of the buttons on switch module ① (one dot or two dots, as desired).

DO NOT release either button until the switch module indicator light flashes slowly, and then changes to solid or rapid flashing. The change in flashing indicates the frequency signal has been learned.

NOTE

Some garage door openers or gate operators may require “cycling” the existing remote as follows: Using both hands, PRESS AND HOLD the desired button on switch module ① while simultaneously PRESSING AND RELEASING (cycling) the existing remote button at 2 second intervals.

DO NOT release the switch module button until its indicator light flashes slowly, and then changes to solid or rapid flashing. The change in flashing indicates the frequency signal has been learned.

3. Press and hold the programmed switch module ① button and observe its indicator light:
 - If the indicator light is solid/continuous, programming is complete. Your device should activate when the button is pressed and released.

Once programmed, both your HomeLink® remote and/or the original remote may be used to activate the device (e.g. garage door, entry lock, gate, etc.).

To program the remaining HomeLink® remote button, repeat Steps 1–3.

- If the indicator light blinks rapidly, proceed to “ROLLING CODE DEVICES”.

ROLLING CODE DEVICES

This procedure is only required if referenced in another section.

IMPORTANT

Use a stepladder or other appropriate and safe device to perform the following steps.

TIP

A second person may make the following steps quicker and easier.

1. Locate the "LEARN" or "SMART" button on your garage door opener (typically near the hanging wire antenna). Refer to the manufacturer's instructions for the specific button location and name.
2. Press and release the "LEARN" or "SMART" button (or equivalent).

NOTE

Once the button is pressed you have approximately 30 seconds to begin the next step.

3. Return to the vehicle and press and release the programmed switch module ① button. Repeat this "press and release" sequence up to 3 times to complete the training process.

Your HomeLink® remote should now activate your rolling code equipped device.

Once programmed, both your HomeLink® remote and/or the original remote may be used to activate the device (e.g. garage door, entry lock, gate, etc.).

To program the remaining HomeLink® remote button, repeat the "PROGRAMMING A NEW HOMELINK® REMOTE" procedure.

REPROGRAMMING A SINGLE HOMELINK® REMOTE BUTTON

Use this procedure to overwrite one of the switch module ① buttons after a device has been registered to it.

NOTE

If you do not program a new device to the button, it will revert to the previously held programming.

1. Press and hold the desired switch module ① button.
2. After about 20 seconds the switch module ① indicator light will slowly flash.

While CONTINUING TO HOLD the switch module button, hold the existing remote 1-3 inches away from switch module ①, then PRESS AND HOLD the existing remote button until the switch module indicator light changes to solid or rapid flashing. The change in flashing indicates the frequency signal has been learned.

NOTE

Some garage door openers or gate operators may require "cycling" the existing remote as follows: Using both hands, PRESS AND HOLD the desired button on switch module ① while simultaneously PRESSING AND RELEASING (cycling) the existing remote button at 2 second intervals.

DO NOT release the switch module button until its indicator light flashes slowly, and then changes to solid or rapid flashing. The change in flashing indicates the frequency signal has been learned.

3. Press and hold the programmed switch module ① button and observe its indicator light:
 - If the indicator light is solid/continuous, programming is complete. Your device should activate when the button is pressed and released.
 - If the indicator light blinks rapidly, proceed to "ROLLING CODE DEVICES".

ERASING THE HOMELINK® REMOTE MEMORY (BOTH BUTTONS)

Press and hold BOTH switch module ① buttons until the indicator light changes from solid to flashing (approximately 10 seconds).

SOMMER ROLLING CODE PROGRAMMING

NOTE

If the HomeLink® remote will be programmed to operate TWO openers, and only ONE of them is manufactured by Sommer, then you must program the Sommer opener first as described below. When complete, follow the “REPROGRAMMING A SINGLE HOMELINK® REMOTE BUTTON” procedure for your second device.

1. Press and hold BOTH switch module ① buttons until the indicator light turns off (approximately 20 seconds). The switch module ① is now ready to be programmed to the Sommer rolling code door opener.

IMPORTANT

Use a stepladder or other appropriate and safe device to perform the following steps.

TIP

A second person may make the following steps quicker and easier.

2. Locate the “LEARN” or “SMART” button on your garage door opener (typically near the hanging wire antenna). Refer to the manufacturer’s instructions for the specific button location and name.
3. Press and release the “LEARN” or “SMART” button (or equivalent).

NOTE

Once the button is pressed you have approximately 10 seconds to begin the next step.

4. Return to the vehicle and press and release the programmed switch module ① button. Repeat this “press and release” sequence up to 3 times to complete the training process.

Your HomeLink® Door Opener remote should now activate your Sommer rolling code equipped device.

FCC AND IC INFORMATION

This device complies with FCC rules part 15 and Industry Canada RSS-210. Operation is subject to the following two conditions:

1. This device may not cause harmful interference
2. This device must accept any interference that may be received including interference that may cause undesired operation.

IMPORTANT

The transmitter has been tested and complies with FCC and IC rules. Changes or modifications not expressly approved by the party responsible for compliance could void the user’s authority to operate the device.

This equipment complies with FCC radiation exposure limits set forth for an uncontrolled environment. End Users must follow the specific operating instructions for satisfying RF exposure compliance. This transmitter must be at least 20 cm from the user and must not be co-located or operating in conjunction with any other antenna or transmitter.

The term “IC:” before the certification/registration number only signifies that Industry Canada technical specifications were met.

FCC (USA) ET IC (CANADA)

Cet appareil est conforme aux normes FCC partie 15 des règles et Industrie Canada RSS-210. Son fonctionnement est soumis aux deux conditions suivantes: (1) Ce dispositif ne peut causer des interférences nuisibles, et (2) Cet appareil doit accepter toute interférence qui peuvent être reçues, y compris les interférences qui peuvent provoquer un fonctionnement indésirable. AVERTISSEMENT: L'émetteur a été testé et est conforme aux règles de la FCC et IC. Les changements ou modifications non expressément approuvés par la partie responsable de la conformité pourraient annuler l'autorité de l'utilisateur à utiliser l'appareil.

Cet équipement est conforme aux limites FCC d'exposition aux radiations définies pour un environnement non contrôlé. Les utilisateurs finaux doivent suivre les instructions de fonctionnement spécifiques pour satisfaire aux normes d'exposition aux RF. Cet émetteur doit être d'au moins 20 cm de l'utilisateur et ne doit pas être co-située ni fonctionner en conjonction avec une autre antenne ou émetteur.

Le terme "IC:" devant le numéro de certification / enregistrement signifie seulement que les spécifications techniques d'Industrie Canada ont été respectées.

FEEDBACK FORM

A feedback form has been created for the installer to provide any comments, questions or concerns about the installation instructions. The form is viewable on mobile devices by scanning the QR code or by clicking [HERE](#) if viewing on a PC.

