

VISOR AUDIO KIT



P/N 2882888, 2882891

APPLICATION

Verify accessory fitment at Polaris.com.

BEFORE YOU BEGIN

Read these instructions and check to be sure all parts and tools are accounted for. Please retain these installation instructions for future reference and parts ordering information.

KIT CONTENTS

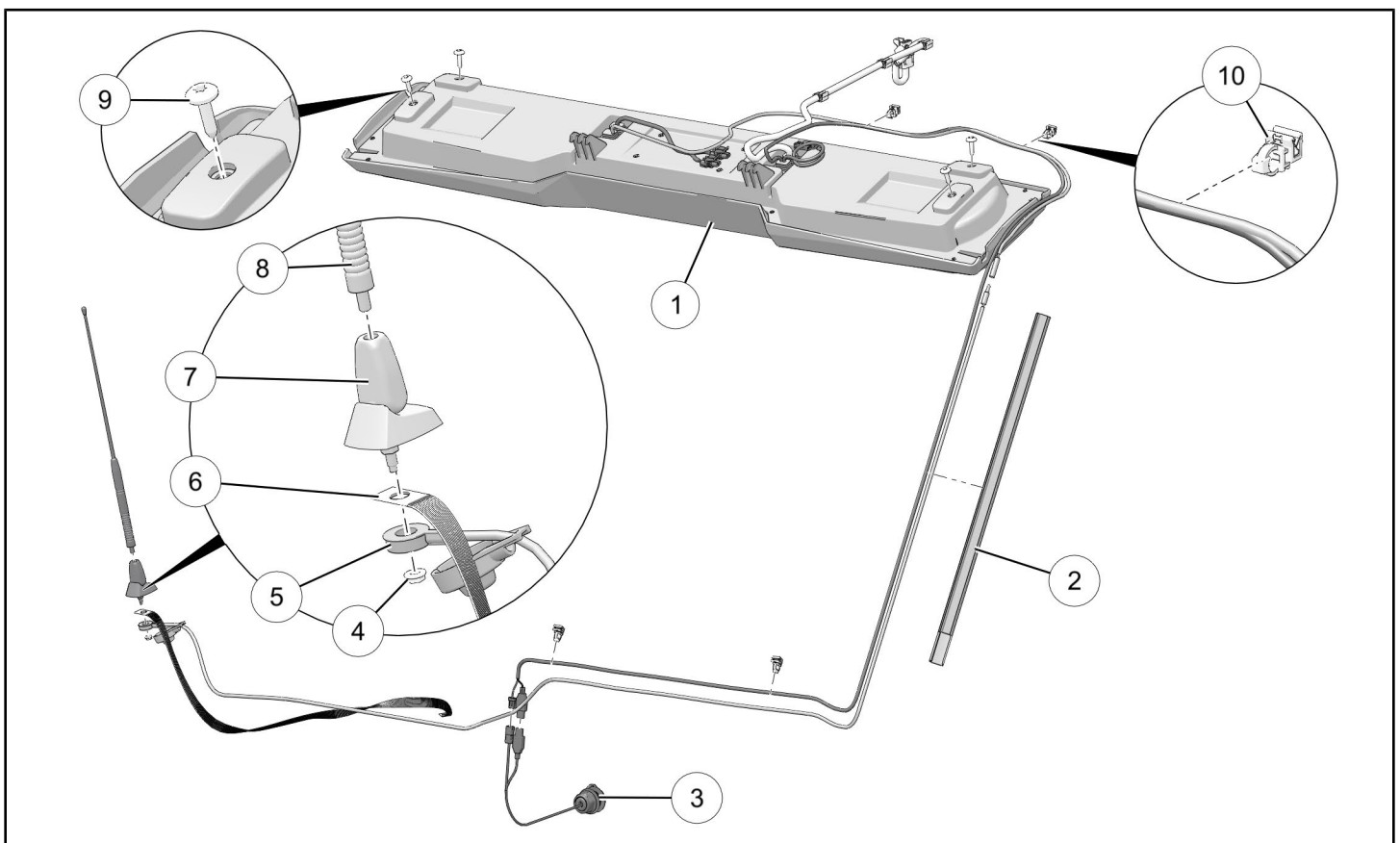
This kit only contains visor audio and associated components. Installation of the following additional kits is also required (sold separately):

- One of the following Roof Kits: PN 2882911, 2882912, 2882913, 2883274, 2883277, or equivalent
- Roof Power Kit, PN 2882904
- If installing Visor Audio Kit PN 2882891 in a vehicle with RIDE COMMAND® **pre-installed** from the factory, then RIDE COMMAND® Audio Adapter Kit PN 2883232 is also required.

This Kit includes:

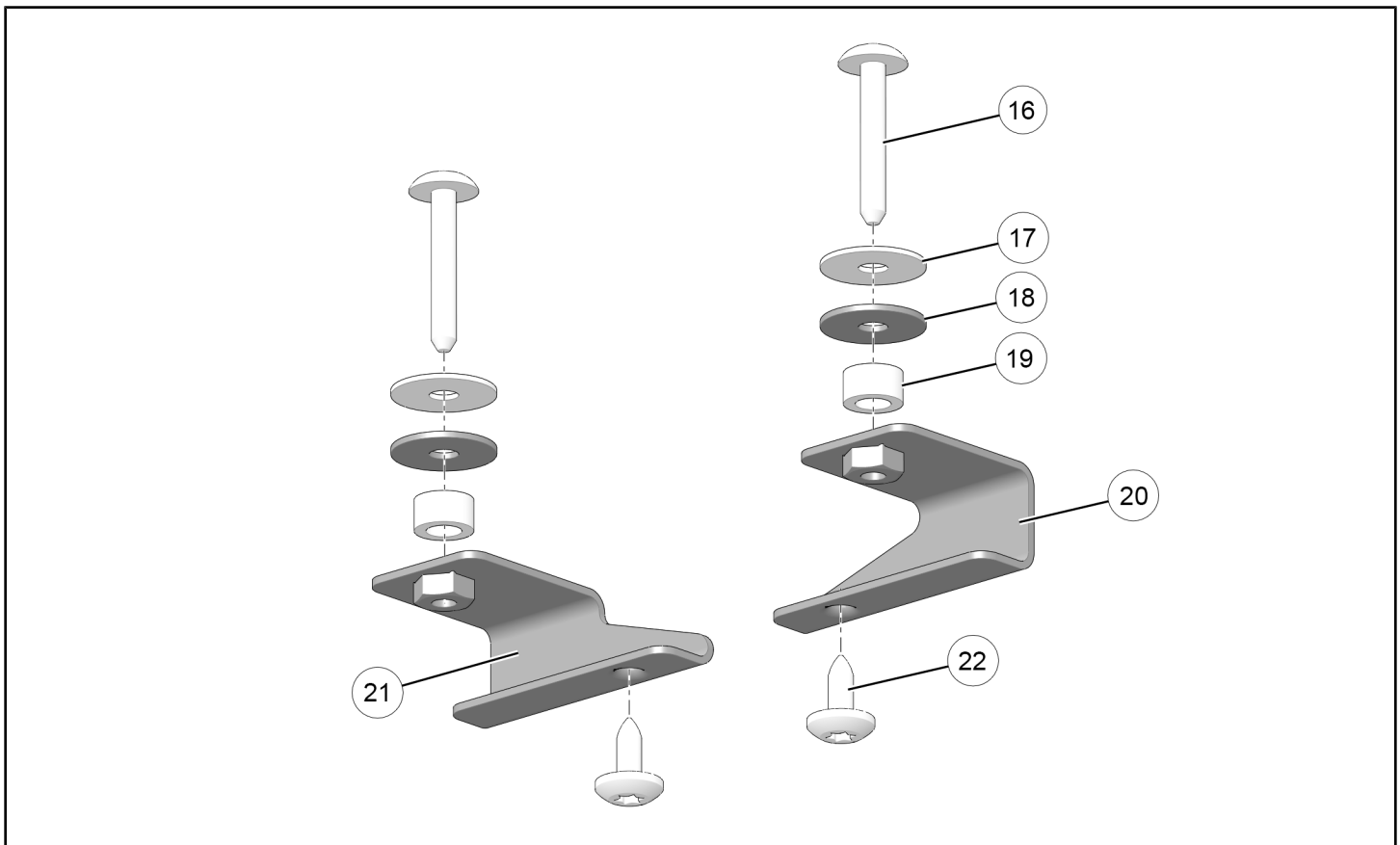
NOTE

Kit PN 2882888 shown; Kit PN 2882891 similar except as noted below.



REF	QTY	PART DESCRIPTION	PART NUMBER
1	1	Audio Unit (includes item 1.1 below)	-
1.1	4	- Speaker (not shown)	4017467
2	1	Conduit, A-pillar	5414966
3	1	Input, Auxiliary (Kit 2882888 only)	2636834
4*	1	Nut, Hex Flange - M5 X 0.8 (Kit 2882888 only)	7547437
5	1	Harness, Antenna Signal (with boot) (Kit 2882888 only)	2411489
6	1	Ground Strap, Antenna, AM/FM (Kit 2882888 only)	4017858
7	1	Base, Antenna, AM/FM (Kit 2882888 only)	4016695
8	1	Mast, Antenna, AM/FM (Kit 2882888 only)	4014849
9*	4	Screw, Torx® Truss Head - M6 X 1.0 X 25	7519650
10	4	Edge Clips	7082403
11	1	Decal, Be Prepared/Drive Responsibly (not shown)	-
12	1	Decal, Proper Use, Non-Crew (not shown)	-
13	1	Decal, Proper Use, Crew (not shown)	-
14	1	Decal, Payload (not shown)	-
15	6	Cable Ties (Kit 2882888 only) (not shown)	7080761

Items marked (*) are included in Hardware Kit PN 2207166.



REF	QTY	PART DESCRIPTION	PART NUMBER
16	2	Screw, Torx® Truss Head - M6 X 1.0 X 40	7519001
17	2	Washer, Steel - 0.281 X 1.00 X 0.051	7556329
18	2	Washer, Rubber - 7.1 X 25.4 X 1.6	7556879
19	2	Spacer - 0.34 ID X 0.56 OD X 0.31	7556373
20	1	Bracket, Internal ROPS, LH	5266293
21	1	Bracket, Internal ROPS, RH	5266294
22	2	Screw, Torx® Truss Head - M6 X 1.0 X 16	7518936
	1	Instructions	9928087

TOOLS REQUIRED

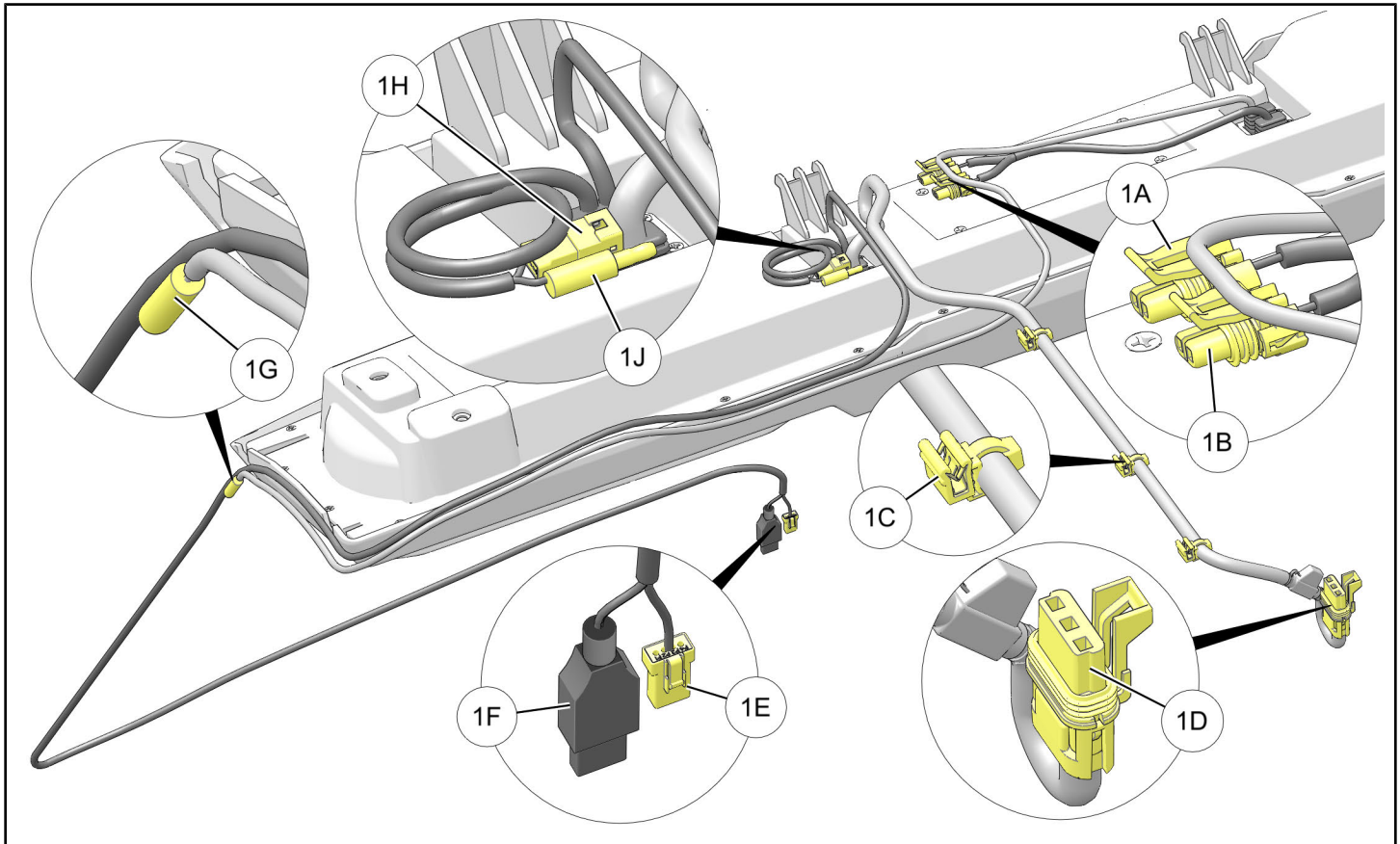
- Safety Glasses
- Drill
- Drill Bit: 3/16 inch (5 mm), 5/16 inch (8 mm), 1/2 inch (12 mm)
- Hole Saw: 1 inch (25 mm)
- Pliers, Push Pin Rivet
- Push Dart (Panel Clip) Tool
- Ruler
- Screwdriver Set, Torx®
- Socket Set, Metric
- Socket Set, Torx® Bit
- Torque Wrench
- Wrench Set, Metric

IMPORTANT

Your Visor Audio Kit is exclusively designed for your vehicle. Please read the installation instructions thoroughly before beginning. Installation is easier if the vehicle is clean and free of debris. For your safety, and to ensure a satisfactory installation, perform all installation steps correctly in the sequence shown.

HARNESS DETAIL

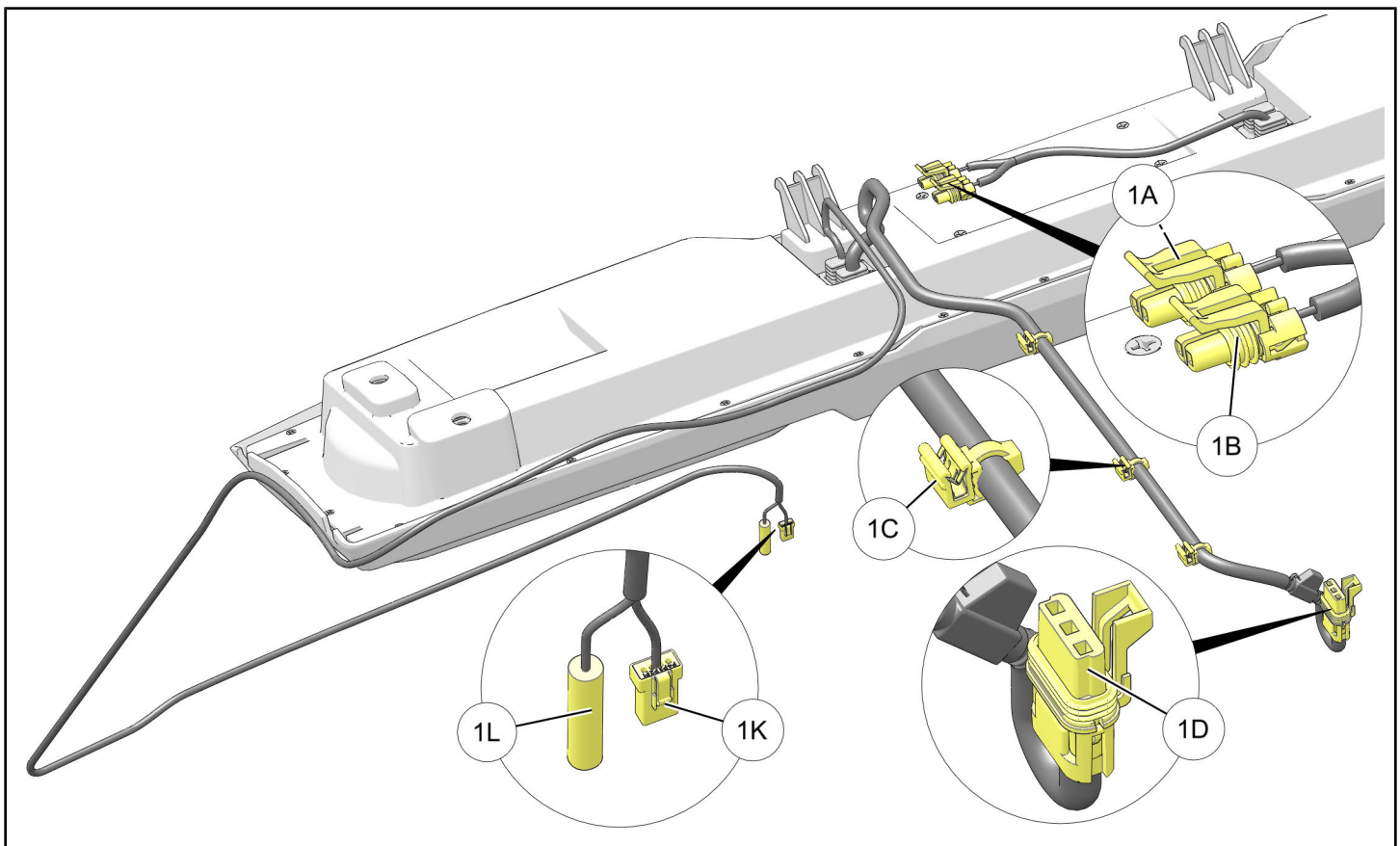
AUDIO UNIT ① (Kit PN 2882888 only):



REF	PART DESCRIPTION	WIRE COLOR	PIN QTY/ GENDER	CONNECTS TO
1A	Connector, Rear/Door Speaker, LH (with cap)	Green*	2 female	OPTIONAL: See installation section, AUDIO UNIT AND HARNESSES , Step 2. Note: Splitter harnesses not shown.
1B	Connector, Rear/Door Speaker, RH (with cap)	Purple*	2 female	
1C	Clip, Edge	-	-	Vehicle structure
1D	Connector, Terminal Block	-	3 female	Vehicle terminal block
1E	Connector, AUX 1 IN	White	4 female	Auxiliary input ③, connector 3B
1F	Connector, USB	Black	-	Auxiliary input ③, connector 3A
1G	Connector, Antenna Signal	-	RF coaxial	Antenna harness ⑤, connector 5A
1H	Connector, Audio Signal OUT	-	4 male	OPTIONAL: See installation section, AUDIO UNIT AND HARNESSES , Step 3.
1J	Connector, Bullet, Audio Remote	Blue	1 male	
1K	(unused)	-	-	-
1L	(unused)	-	-	-

* With or without black stripe

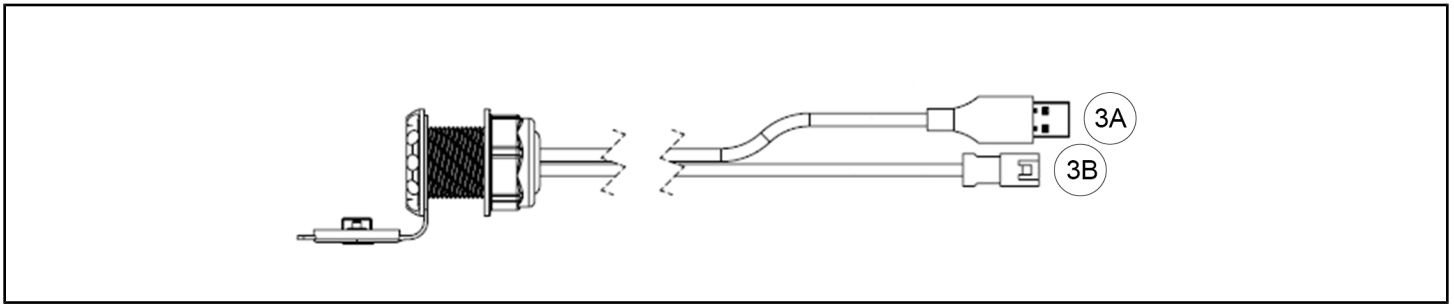
AUDIO UNIT ① (Kit PN 2882891 only):



REF	PART DESCRIPTION	WIRE COLOR	PIN QTY/ GENDER	CONNECTS TO
1A	Connector, Rear/Door Speaker, LH (with cap)	Green*	2 female	OPTIONAL: See installation section, AUDIO UNIT AND HARNESSES , Step 2. Note: Splitter harnesses not shown.
1B	Connector, Rear/Door Speaker, RH (with cap)	Purple*	2 female	
1C	Clip, Edge	-	-	Vehicle structure
1D	Connector, Terminal Block	-	3 female	Vehicle terminal block
1E	(unused)	-	-	-
1F	(unused)	-	-	-
1G	(unused)	-	-	-
1H	(unused)	-	-	-
1J	(unused)	-	-	-
1K	Connector, Audio Signal IN	-	4 female	Source unit; see installation section, AUDIO UNIT AND HARNESSES , Step 9.
1L	Connector, Bullet, Audio Remote	Blue	1 female	

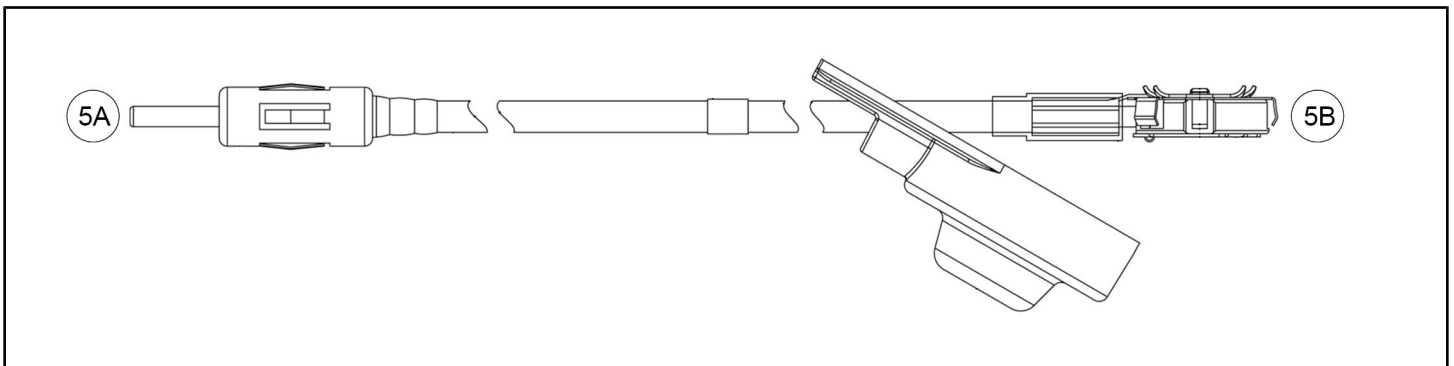
* With or without black stripe

AUXILIARY INPUT ③:



REF	PART DESCRIPTION	WIRE COLOR	PIN QTY/ GENDER	CONNECTS TO
3A	Connector, USB	-	-	Head unit ①, connector 1F
3B	Connector, 3.5 mm Stereo	-	4 male	Head unit ①, connector 1E

ANTENNA HARNESS ⑤:



REF	PART DESCRIPTION	WIRE COLOR	PIN QTY/ GENDER	CONNECTS TO
5A	Connector, Antenna Signal	-	RF coaxial	Head unit ①, connector 1G
5B	Connector, Antenna Base (with boot)	-	FIAMM	Antenna base ⑦

INSTALLATION INSTRUCTIONS

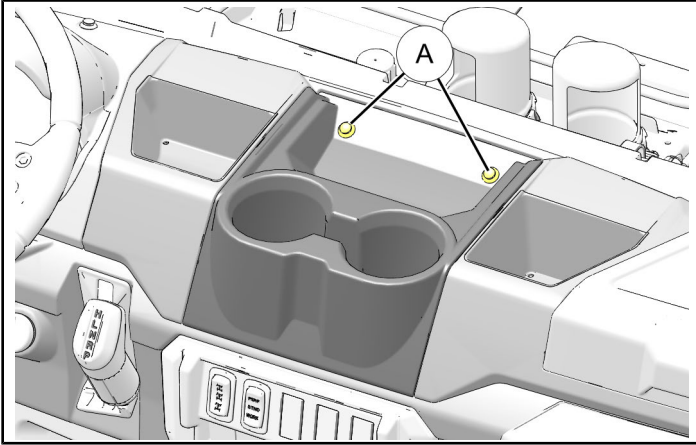
GAIN ACCESS

1. Shift vehicle transmission into "PARK". Turn ignition switch to "OFF" position and remove key.
2. Remove passenger (or right rear passenger) underseat storage compartment, then disconnect black negative (-) cable from battery.
3. Remove hood.

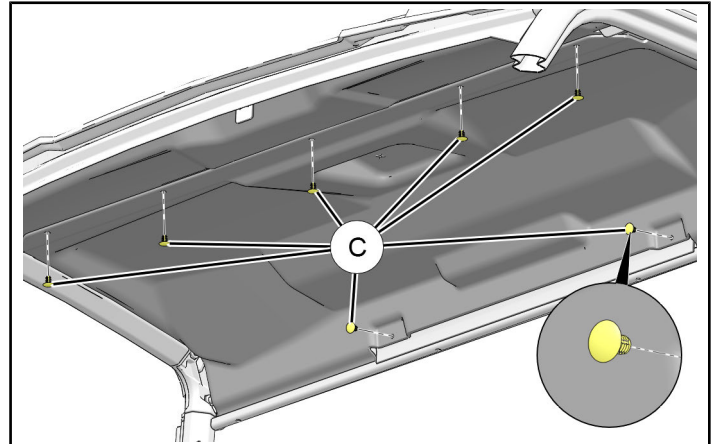
⚠ WARNING

Ensure red positive (+) battery terminal is COMPLETELY COVERED by protective boot. Accidental tool contact across both battery terminals will result in high current electrical arc, and may result in battery explosion. Death or serious personal injury may occur.

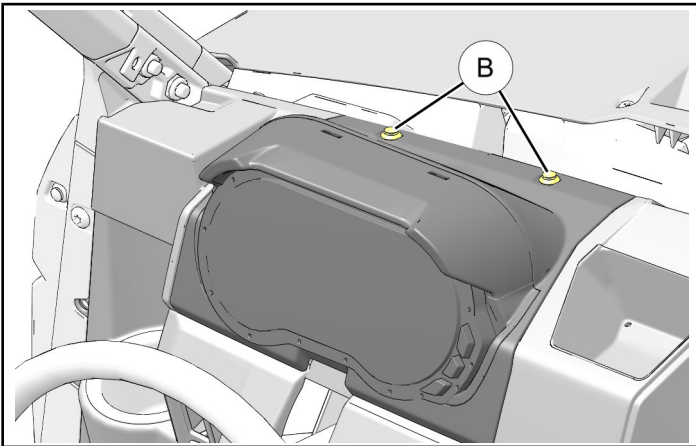
4. Remove upper dash cupholder (or existing dash audio unit PN 2882750, sold separately) by removing two push pin rivets (A), then slide cupholder (or dash audio unit) rearward. Retain rivets.



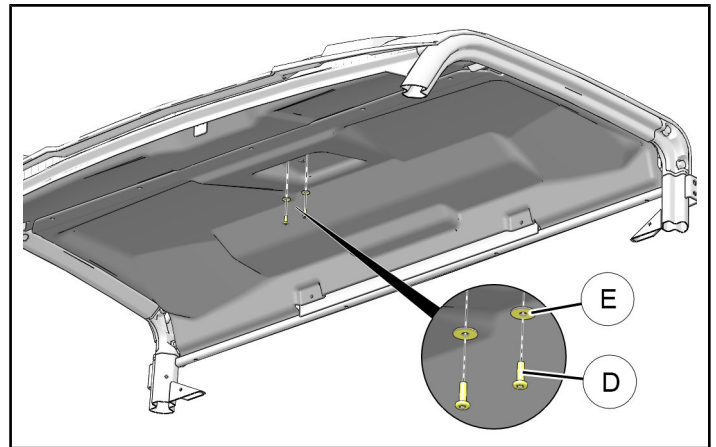
- b. Remove seven push darts (C) from rear liner: five from front edge and two from rear edge. Retain any two of seven push darts; remaining five push darts will not be reused.



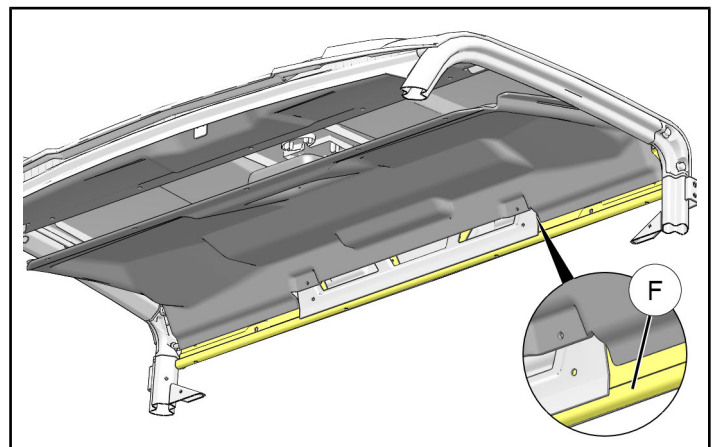
5. Tilt steering wheel to full down position. Detach instrument cluster hood by removing two push pin rivets (B), then slide hood (with instrument cluster) rearward. Disconnect instrument cluster wiring harness. Retain rivets.



- c. If light is installed against rear liner, remove it. Otherwise, remove two each screws (D) and washers (E). Retain hardware.



- d. Carefully pull down LH and RH edges of rear liner from between ROPS and roof seal, then remove rear edge of liner from roof support channel (F).



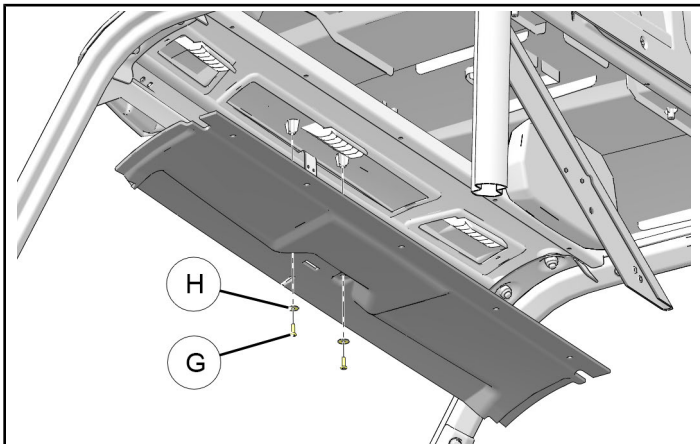
6. Remove roof liner (if installed).

NOTE

Non-crew shown; crew similar except for additional screws in rear liner.

- a. Remove rear (roof mounted) speakers, if installed.

- e. Remove front roof liner by removing two each screws **G** and washers **H**. Front liner and hardware will not be reused.

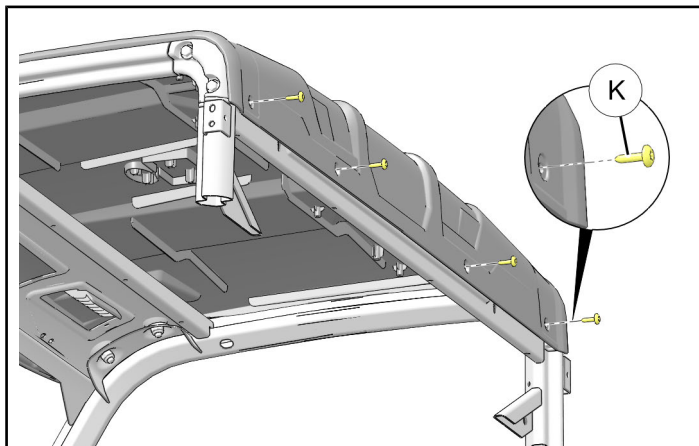


- c. Remove four screws **K** from rear edge of roof panel. Retain screws.

When reinstalling roof at end of procedure, torque screws to specification.

TORQUE

42 in. lbs. (4.7 Nm) ± 10%



7. Remove roof panel.

RANGER XP® 1000

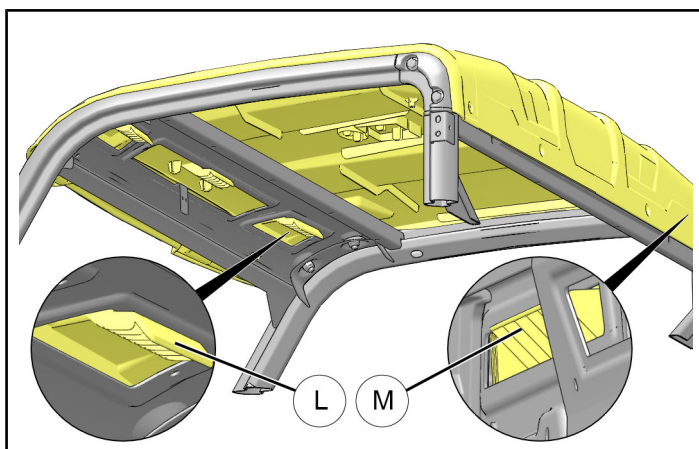
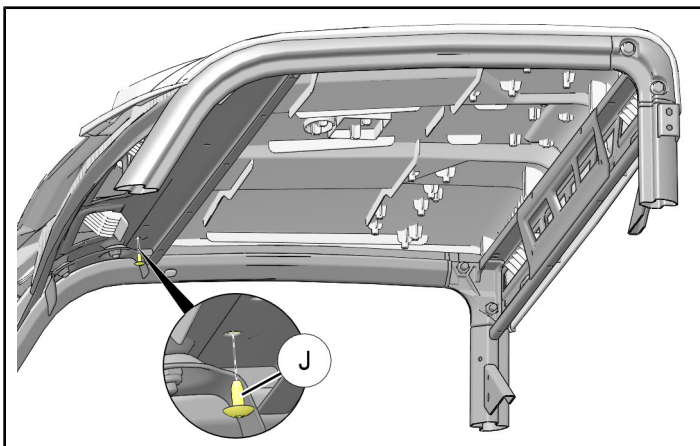
- a. Label and disconnect electrical harnesses from roof (as required) to permit roof panel removal.
- b. Remove two screws **I** securing front of roof panel to ROPS visor (if installed). Screws will NOT be reinstalled.

- d. Observe how roof panel is locked to ROPS at three front hooks **L** and two rear tabs **M**.

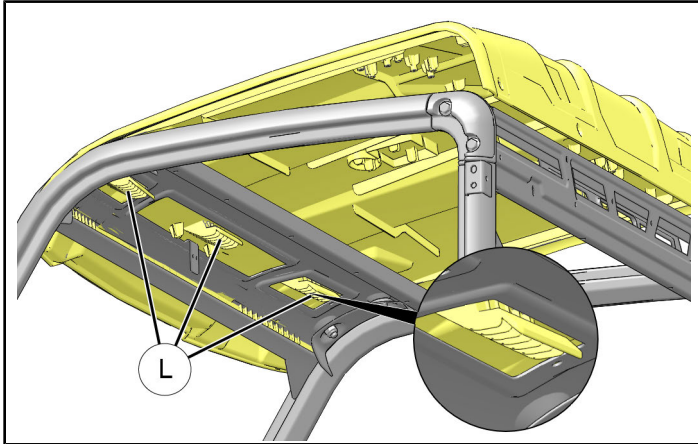
Slightly flex rear edge of roof panel to unlock rear tabs from B-pillar cross member, then lift roof edge above cross-member.

NOTE

RH side shown; LH side opposite.



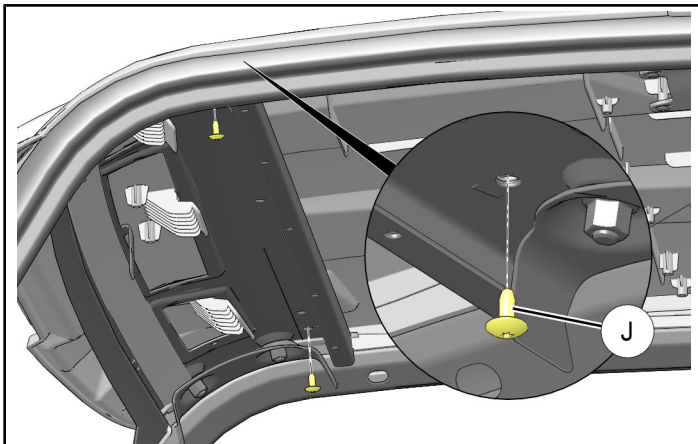
- e. Slide roof panel forward until three front hooks (L) unlock from ROPS visor, then lift roof from ROPS and set aside.



RANGER CREW® XP 1000

- a. Label and disconnect electrical harnesses from roof (as required) to permit FRONT roof panel removal.
- b. Remove two screws (J) securing front of roof panel to ROPS visor (if installed). Screws will NOT be reinstalled.

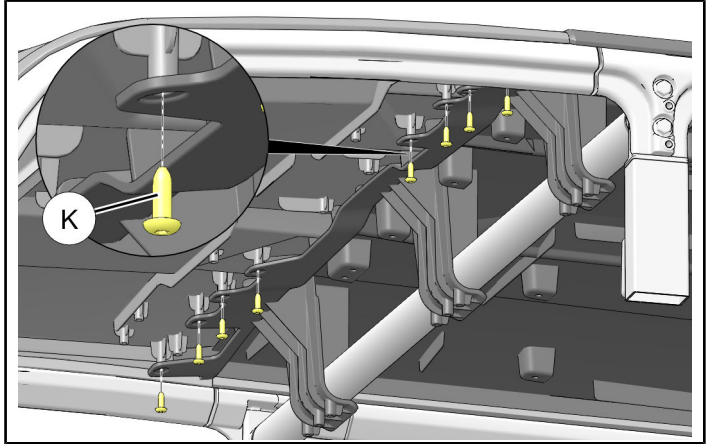
NOTE
RH side shown; LH side opposite.



- c. Detach front roof panel from rear roof panel by removing eight screws (K). Retain screws.

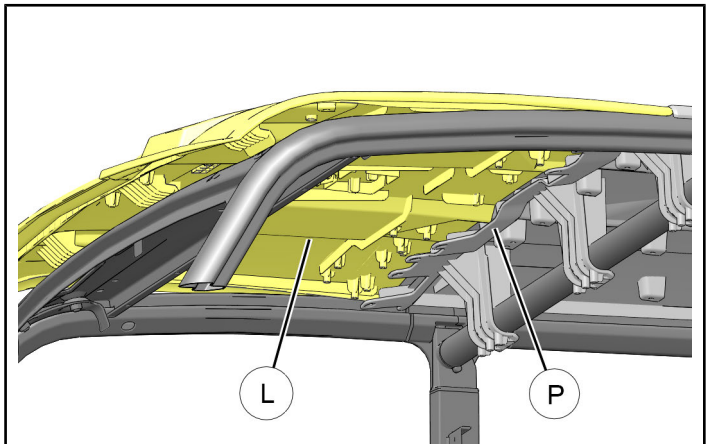
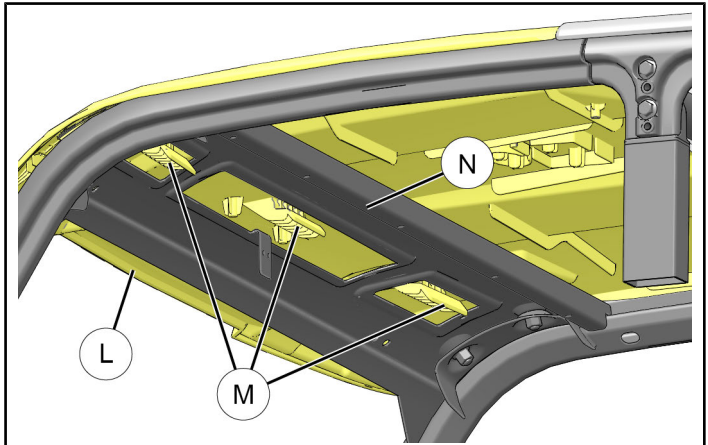
When reinstalling roof at end of procedure, torque screws to specification.

TORQUE
20 in. lbs. (2.3 Nm) ± 10%



- d. Slide front roof panel (L) forward until three front hooks (M) unlock from ROPS visor (N), and rear edge detaches from rear roof panel (P)

Lift front roof panel from ROPS and set aside.

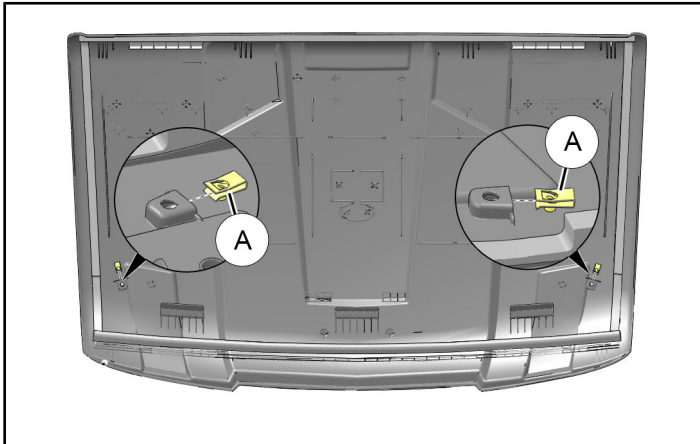


INSTALL ROOF SUPPORT BRACKETS

NOTE

Non-crew shown; crew similar.

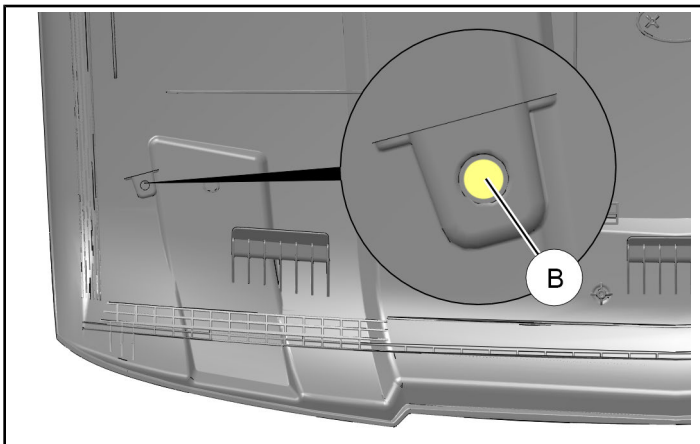
1. Remove two clip nuts (A) from standoffs at front of roof panel (if installed). Clip nuts will not be reused.



2. Using existing hole in standoff as a guide, drill 5/16 inch (8 mm) hole (B) through roof panel. Ensure new hole is centered in existing standoff hole. Repeat for opposite side.

NOTE

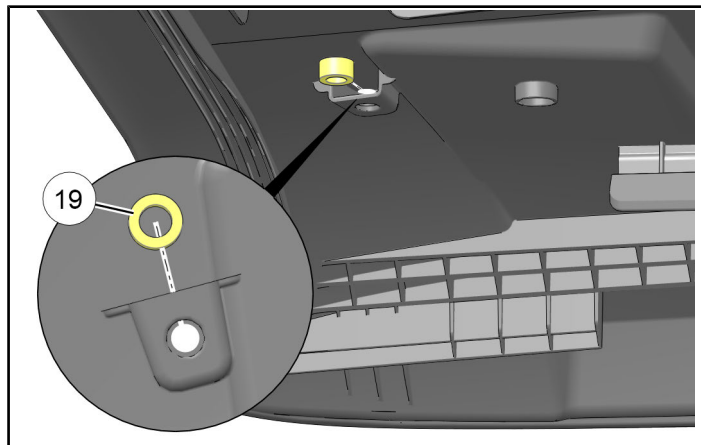
LH side shown; RH side opposite.



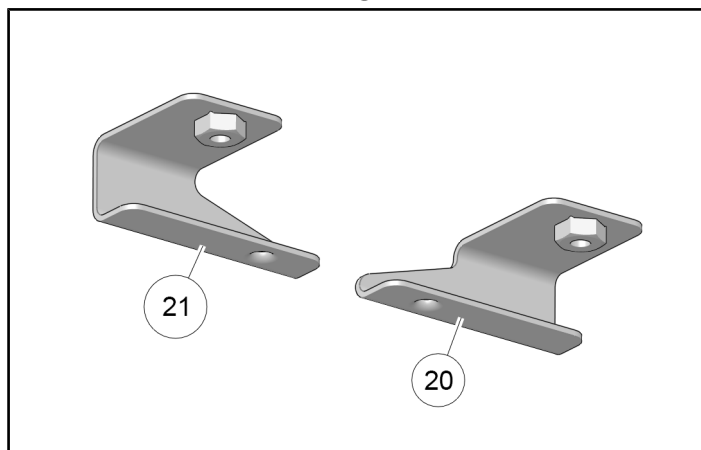
3. Insert spacer (19) into each standoff. Use tape to prevent spacer from falling out of standoff during roof reinstallation.

NOTE

LH side shown; RH side opposite.



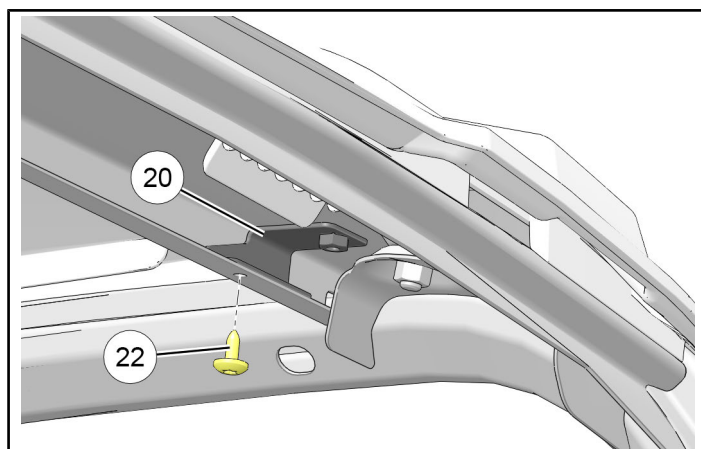
4. Identify LH internal ROPS bracket (20) and RH internal ROPS bracket (21).



5. Install LH internal ROPS bracket (20) to visor using screw (22). Tighten screw. Repeat for RH side using RH internal ROPS bracket (21).

NOTE

LH side shown; RH side opposite.



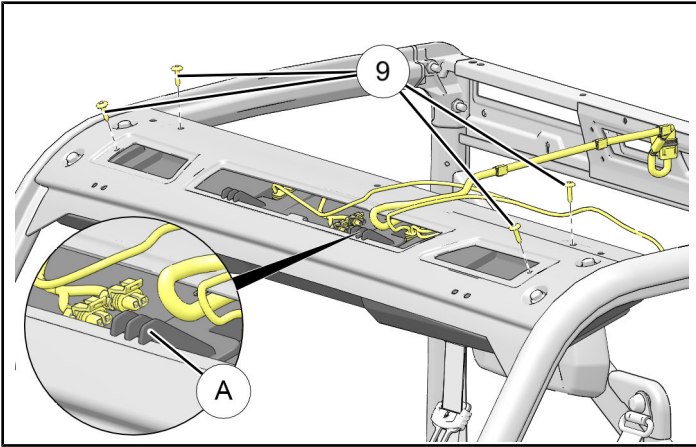
INSTALL AUDIO UNIT AND HARNESSES

NOTE

See previous section, **HARNESS DETAIL**, and audio unit operating instructions for connector identification.
Kits in OPTIONAL steps below sold separately.

1. Lift audio unit ① near ROPS visor. Route all harnesses attached to audio unit up through center opening in visor, slide two hooks (A) on audio unit over front edge of visor opening, then secure audio unit to visor using four screws ⑨.

Ensure harnesses are not pinched between audio unit and visor, then tighten screws.

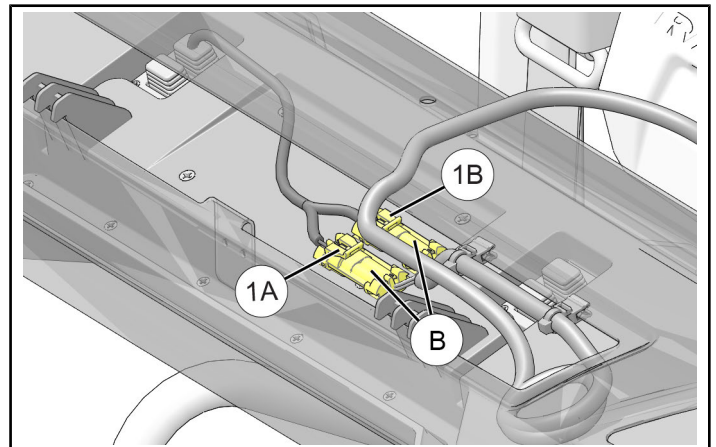


2. OPTIONAL: Splitter harnesses come pre-attached to connectors 1A and 1B on audio unit ①.

- If Rear Speaker Kit (PN 2882876) **AND** Door Speaker Kit (PN 2882889) are **BOTH** being installed, then join splitter connectors to corresponding speaker connectors (B). WHITE splitter wires are LH channel; GRAY splitter wires are RH channel.
- If only **ONE** of the above speaker kits is being installed, then splitter harnesses can be removed. Join connectors 1A and 1B directly to corresponding speaker connectors (B) as shown.

NOTE

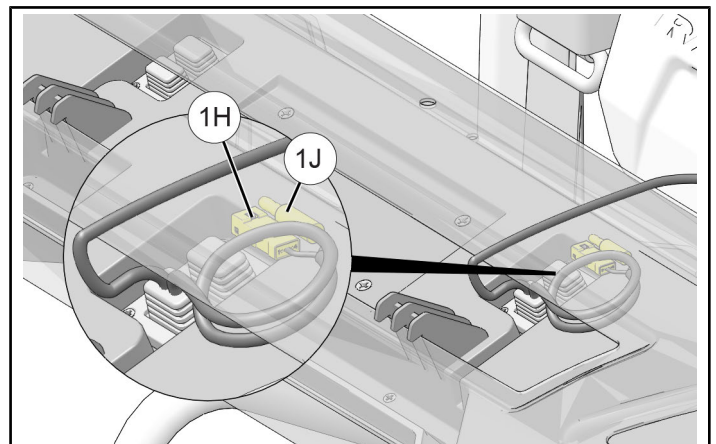
Visor shown partially transparent and other harnesses hidden for clarity.



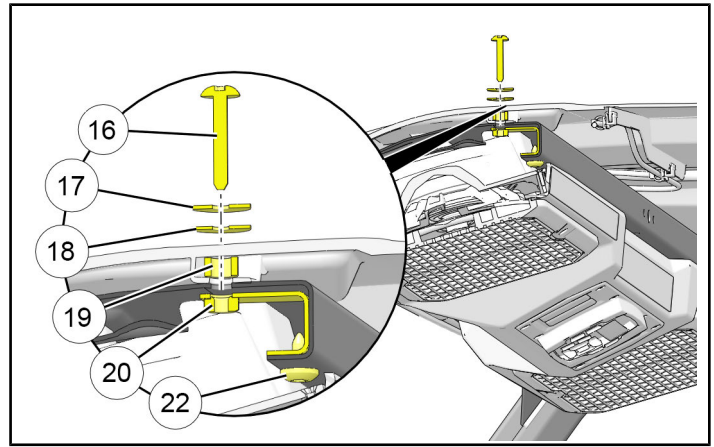
3. OPTIONAL (Kit PN 2882888 only): If additional audio components are being installed (e.g., Subwoofer Kit), then join audio signal connector 1H and audio remote bullet connector 1J to corresponding audio component connectors.

NOTE

Visor shown partially transparent and other harnesses hidden for clarity.

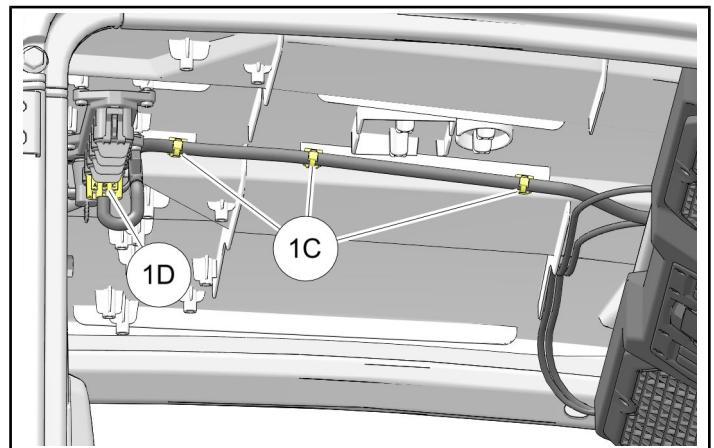
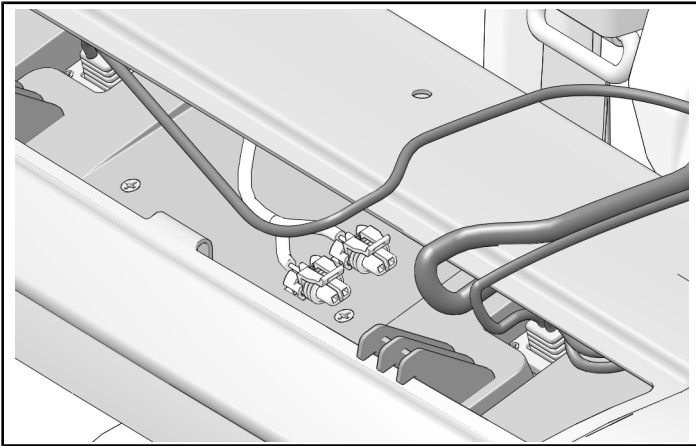


4. Route the following harnesses rearward over top of visor:
 - Power harness (to connector 1D)
 - Antenna signal harness (to connector 1G) (Kit 2882888 only)
 - Auxiliary input harness (to connectors 1E and 1F) (Kit 2882888 only)
 - Audio signal and remote harness (to connectors 1K and 1L) (Kit 2882891 only)
 - Any other harnesses connected in previous OPTIONAL steps



- c. Reconnect associated electrical harnesses.

Route harnesses to prevent contact with sharp edges, and pinching between ROPS and roof panel. Do not install roof liner at this time.
6. Open power cap on vehicle terminal block at any open location, then plug in connector 1D. Secure power harness to roof panel using three edge clips 1C.



5. Reinstall roof panel.
 - a. Reinstall roof panel in reverse order of disassembly. See previous section, **GAIN ACCESS**, Step 7.

IMPORTANT

Observe proper screw torque as identified in removal steps.

- b. Install two each screws ①⑥, steel washers ①⑦, and rubber washers ①⑧ into roof, through spacers ①⑨, into ROPS brackets ②⑩ or ②⑪, as applicable.

Ensure steel washer is against screw head, rubber washer is against roof, and screw passes through spacer, then torque screws to specification.

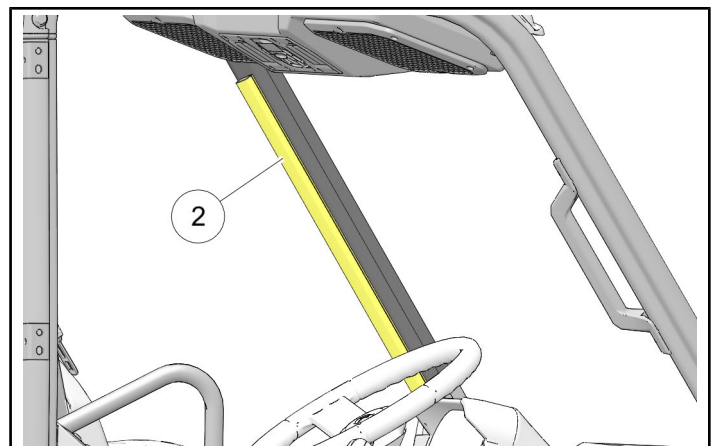
TORQUE

42 in. lbs. (4.7 Nm) ± 10%

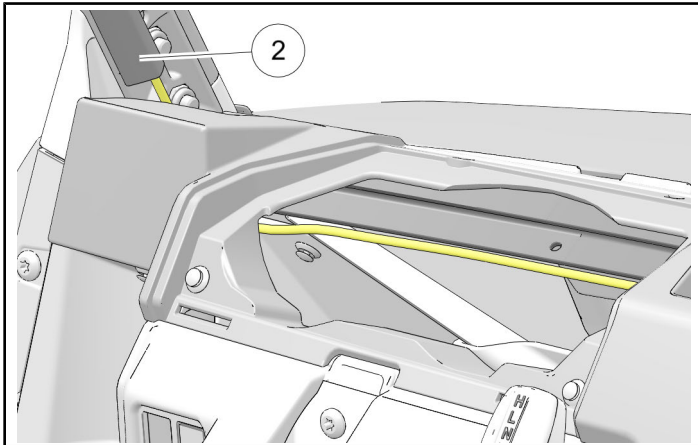
NOTE

LH side sectional view shown; RH side opposite. Screw ② shown for reference only.

7. Install A-pillar conduit ② by cleaning installation surface as required, peel adhesive backing from conduit, then press firmly into place.

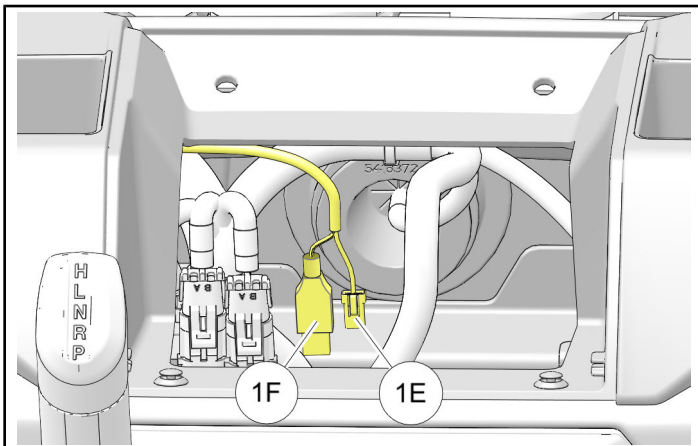


- Route auxiliary input connectors 1E and 1F (Kit 2882888) or audio signal and remote connectors 1K and 1L (Kit 2882891) outboard to top of driver side A-pillar, down through conduit ②, down through opening between base of A-pillar and upper dash panel, then inboard along dash support bracket towards cupholder opening.



NOTE

Kit 2882888 shown below; kit 2882891 similar.



- Kit PN 2882891 only: Join audio signal and remote connectors 1K and 1L to source unit:
 - Dash Audio, PN 2882750

NOTE

Audio signal connector 1K can be joined to either front or rear speaker connector (as desired).

- RIDE COMMAND® (using audio adapter harness, PN 2883232)

NOTE

Audio adapter harness is provided with RIDE COMMAND® Installation Kit, PN 2882872. Audio adapter harness must be purchased if RIDE COMMAND® is **pre-installed from the factory**.

INSTALL ANTENNA (KIT PN 2882888 ONLY)

NOTE

See previous section, **HARNESS DETAIL**, for connector identification.

- Mark two holes on top of right front fender for alignment pin ① and mounting post ②, both located on antenna base ③.

NOTE

Exact location of base on fender is not critical. However, if mast tilt functionality is desired, ensure location allows desired tilt, and that ground strap ④ can reach chassis ground location. See Step d. below.

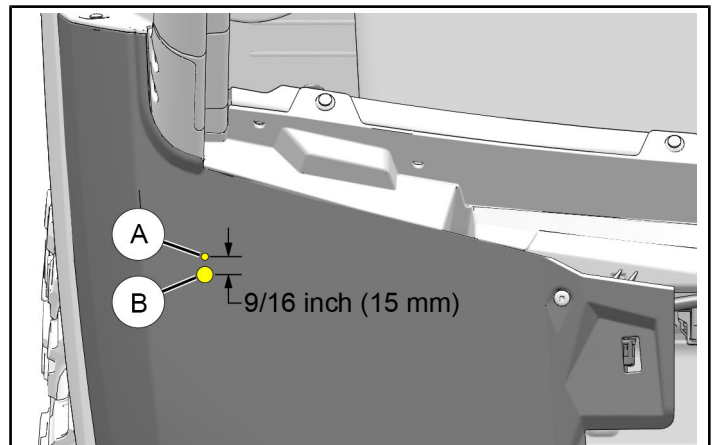
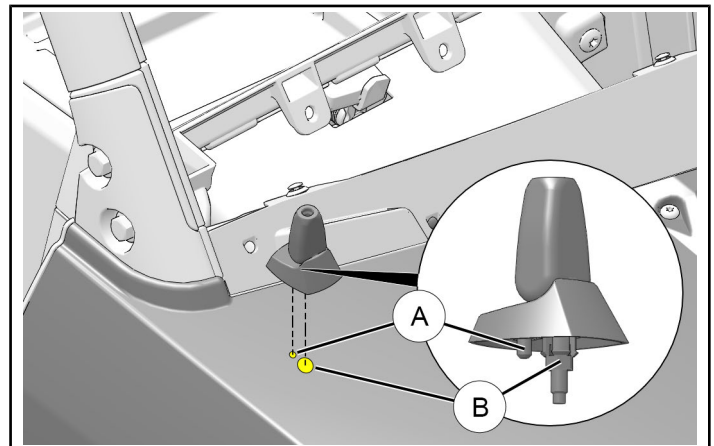
Mark center of alignment pin hole ① 9/16 inch (15 mm) REARWARD from center of mounting post hole ② as shown.

Drill two holes at marked locations:

- Alignment pin ①: 3/16 inch (5 mm) diameter
- Mounting post ②: 1/2 inch (12 mm) diameter

IMPORTANT

Control drill depth to prevent damage to underlying structure or components.



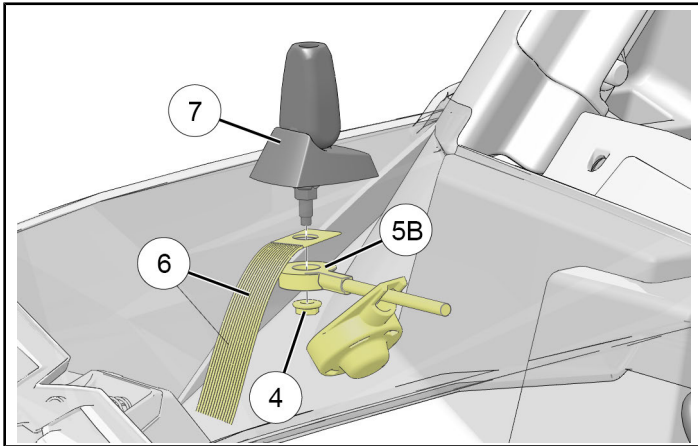
- Insert threaded post and alignment pin located on antenna base ⑦ through drilled holes in fender, attach one end of ground strap ⑥ and connector 5B on antenna signal harness ⑤, then secure with nut ④. Install rubber boot.

IMPORTANT

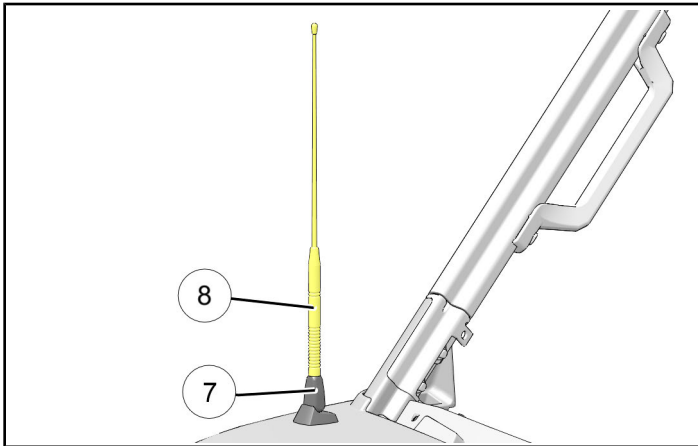
Do NOT remove existing nut (pre-installed) from threaded post.

NOTE

Ground strap improves AM reception. Fender shown partially transparent for clarity.



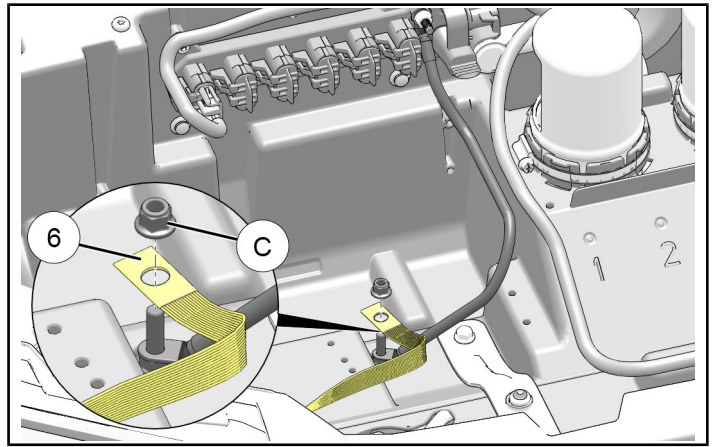
- Thread antenna mast ⑧ into antenna base ⑦.



- Remove nut ③ from chassis ground stud, install opposite end of ground strap ⑥, then reinstall nut. Torque to specification.

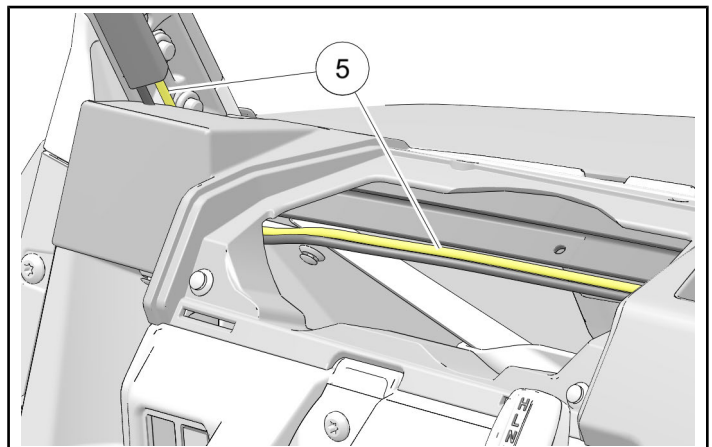
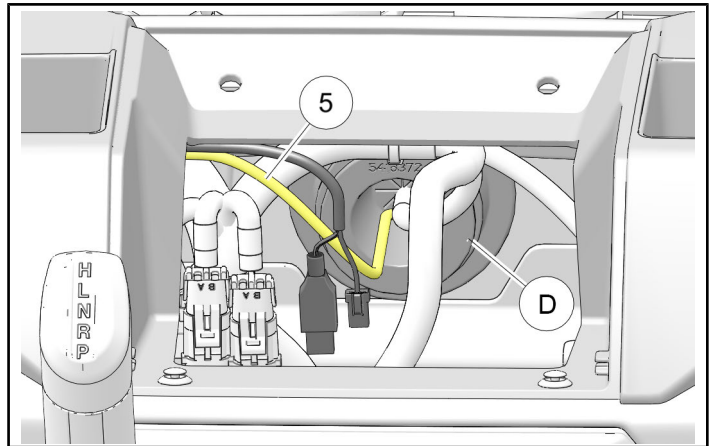
TORQUE

8 ft. lbs. (11 Nm) ± 10%

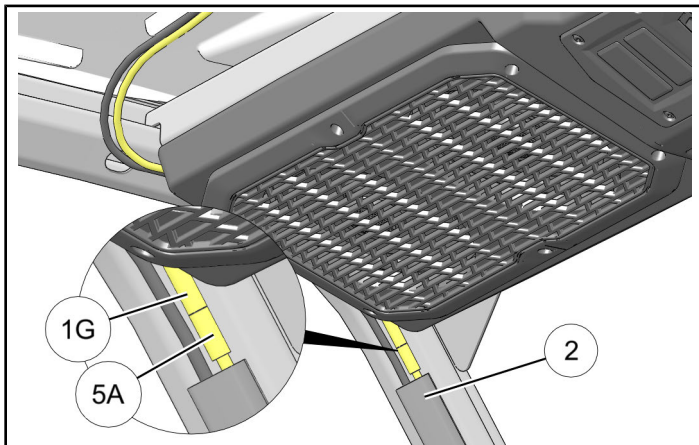


- Route connector 5A on antenna harness ⑤ rearward through firewall grommet ① into upper dash compartment, alongside previously installed auxiliary input harness, then up through opening between base of A-pillar and upper dash panel.

Ensure harness is routed to prevent contact with hot components, sharp edges, or moving parts (including suspension and steering components throughout their full range of travel), but do not secure harness at this time.

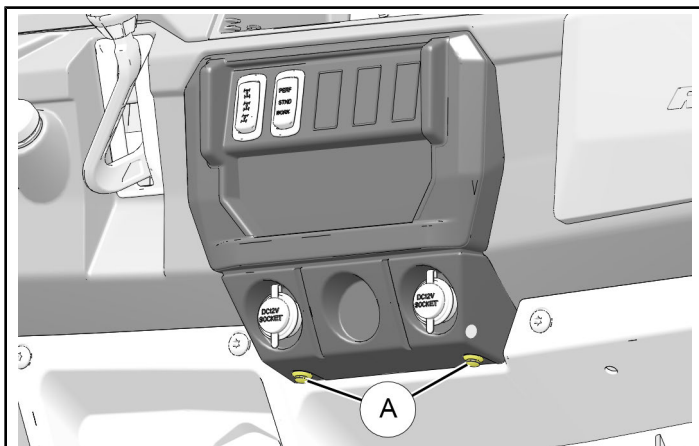


6. Join connector 5A on antenna signal harness ⑤ to mating connector 1G on audio unit ①. Insert antenna harness into A-pillar conduit ②, then feed any excess harness length downward into upper dash compartment.

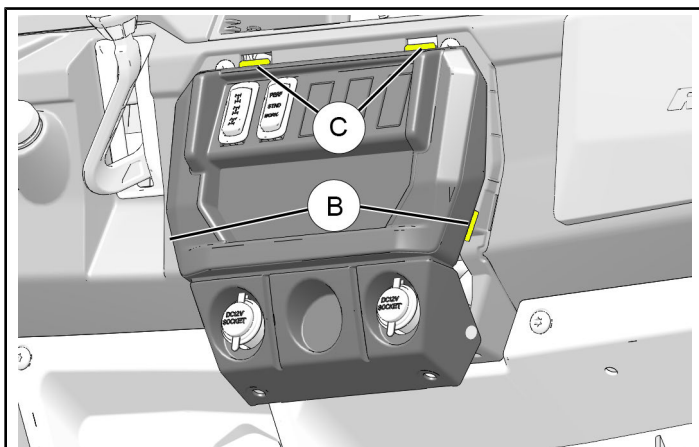


INSTALL AUXILIARY INPUT (KIT 2882888 ONLY)

1. Gain access.
 - a. Remove two push pin rivets ① from lower face of control panel. Retain rivets.



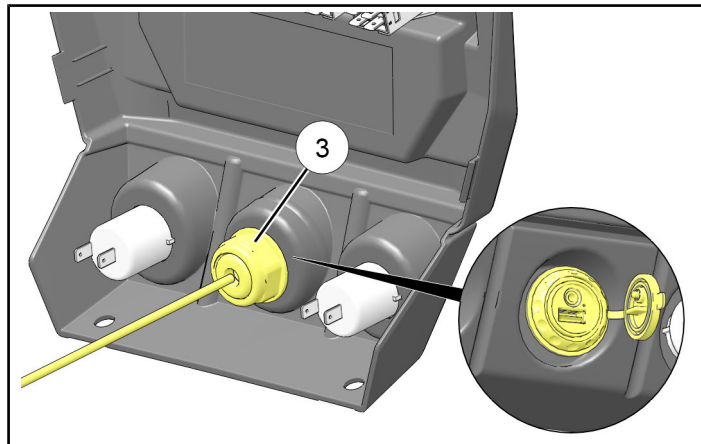
- b. Rotate bottom of control panel rearward, disengaging two side tabs ②, then drop two upper tabs ③ out of slots in main dash panel.



- c. Label and disconnect electrical harnesses from switches, sockets, or other devices in control panel.

2. Drill 1 inch (25 mm) diameter hole through lower center cavity for installation of auxiliary input ③.

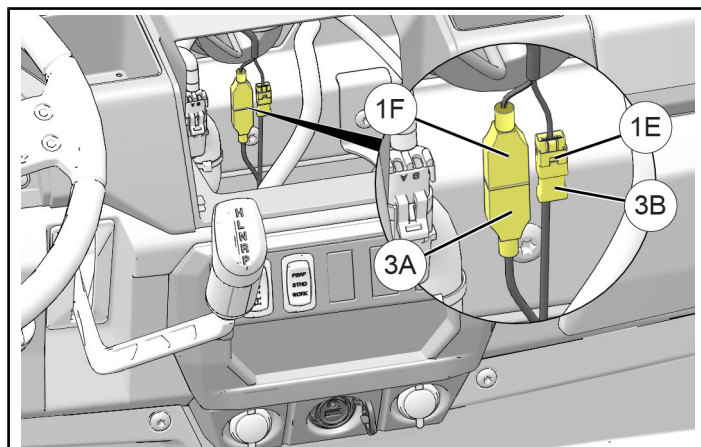
Remove nut and rubber gasket from auxiliary input, route wires rearward through opening, then reinstall gasket and nut.



3. Reconnect electrical harnesses disconnected in Step a. above, then reinstall control panel using two retained rivets ①.

4. Join auxiliary input ③ to audio unit ① as follows:

- a. Auxiliary input connector 3A to audio unit connector 1F
- b. Auxiliary input connector 3B to audio unit connector 1E

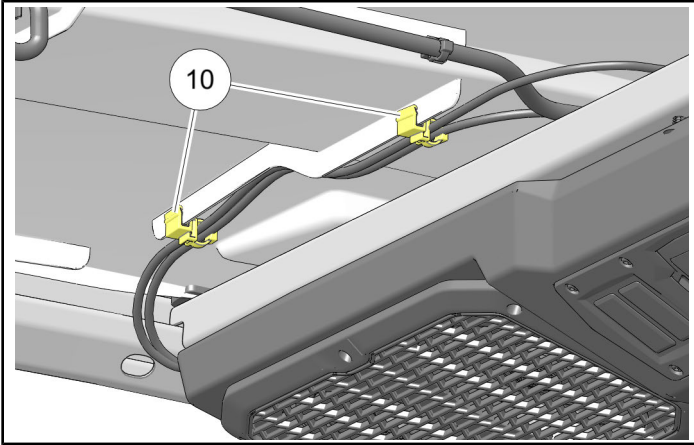


SECURE HARNESSSES

1. Secure harness(es) to roof using two edge clips ⑩.

NOTE

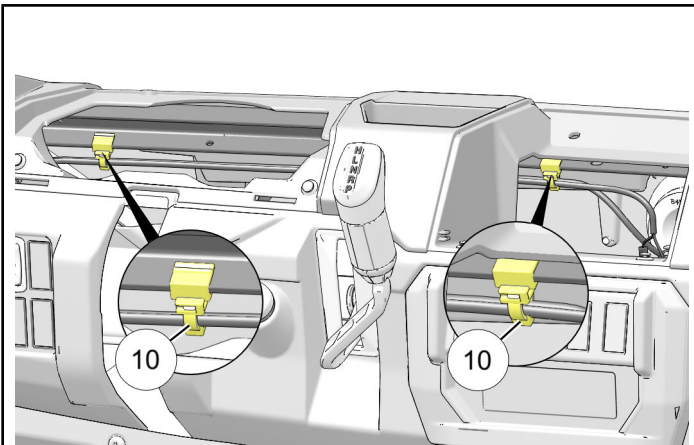
Kit 2882888 shown; kit 2882891 similar.



2. Secure harness(es) to dash support bracket using two edge clips ⑩.

NOTE

Kit 2882888 shown; kit 2882891 similar.



3. Kit PN 2882888 only: Carefully examine routing of antenna signal harness ⑤ and antenna ground strap ⑥. Ensure harnesses are routed to prevent contact with hot components, sharp edges, or moving parts (including suspension and steering components throughout their full range of travel).

Secure harnesses every 12 inches (300 mm) using cable ties ⑮.

DECAL APPLICATION

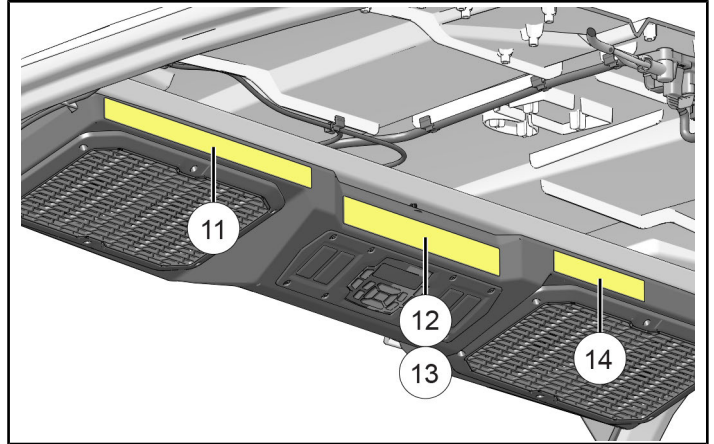
IMPORTANT

Decals required per ANSI/ROHVA standards.

MY18 and newer RANGER XP® 1000

Apply the following decals to audio unit ① as shown:

1. "Be Prepared/Drive Responsibly" decal ⑪
2. "Proper Use, Non-Crew" decal ⑫ or "Proper Use, Crew" decal ⑬ (as applicable)
3. "Payload" decal ⑭



MY19 and older RANGER XP® 900

All required decals are applied to vehicle from factory. Decals ⑪, ⑫, ⑬, and ⑭ are not used.

RESTORE ACCESS

1. Restore remaining access. See previous section, **GAIN ACCESS**.

NOTE

When reinstalling roof liner in Step 6b, five push darts removed from front edge of (front) liner will not be reinstalled. Liner tucks between visor audio and roof panel.

2. Reconnect black negative (-) cable to battery, then reinstall underseat storage compartment.

FEEDBACK FORM

A feedback form has been created for the installer to provide any comments, questions or concerns about the installation instructions. The form is viewable on mobile devices by scanning the QR code or by clicking [HERE](#) if viewing on a PC.

