

OVERHEAD REMOVABLE LIGHT KIT



P/N 2882871

APPLICATION

Verify accessory fitment at Polaris.com.

BEFORE YOU BEGIN

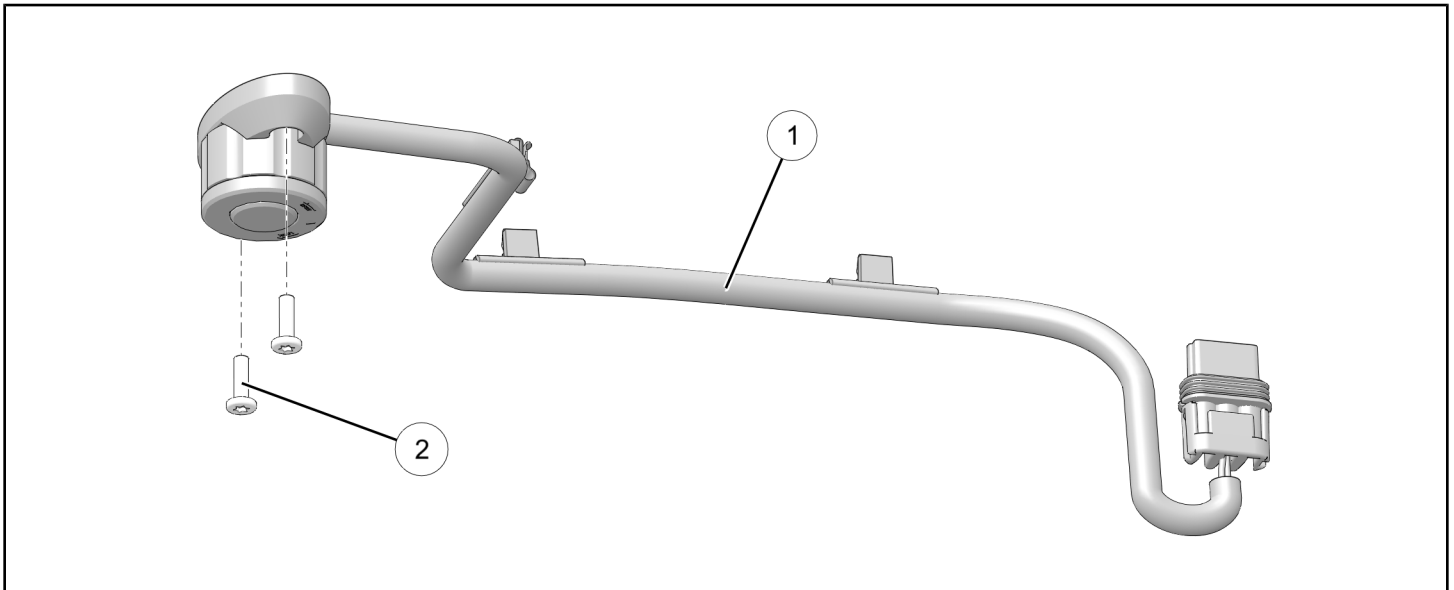
Read these instructions and check to be sure all parts and tools are accounted for. Please retain these installation instructions for future reference and parts ordering information.

KIT CONTENTS

This kit contains parts for installation of the Overhead Removable Light Kit only. Prior installation of the following additional kits is also required (sold separately):

1. One of the following roof kits:
 - Premium Roof Kit, PN 2882912 (black) or 2882913 (camo)
 - Poly Roof Kit, PN 2882911
 - Other compatible roof kit
2. Roof Power Kit, PN 2882904

This Kit includes:



REF	QTY	PART DESCRIPTION	PART NUMBER
1	1	Light, Overhead, LED Removable (with harness)	2414092
2	2	Screw, Torx® Pan Head, High/Low - #10 X 5/8	7518238
	1	Instructions	9928051

TOOLS REQUIRED

- Safety Glasses
- Cutting Tool*
- Push Dart (Panel Clip) Tool*
- Screwdriver Set, Torx®

* Tool requirement dependent on specific installation.

IMPORTANT

Your Overhead Removable Light Kit is exclusively designed for your vehicle. Please read the installation instructions thoroughly before beginning. Installation is easier if the vehicle is clean and free of debris. For your safety, and to ensure a satisfactory installation, perform all installation steps correctly in the sequence shown.

ASSEMBLY TIME

Approximately 20 minutes

NOTE

Additional time may be required for optional steps, or to accommodate other accessories.

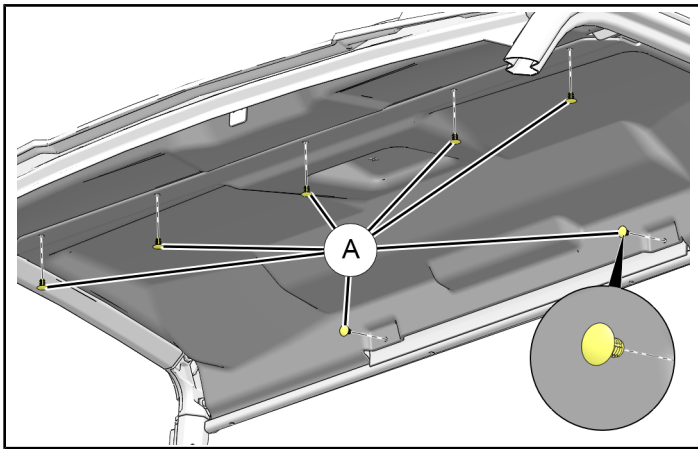
INSTALLATION INSTRUCTIONS

1. Shift vehicle transmission into "PARK". Turn key to "OFF" position and remove from vehicle.
2. Remove rear roof liner (if installed).

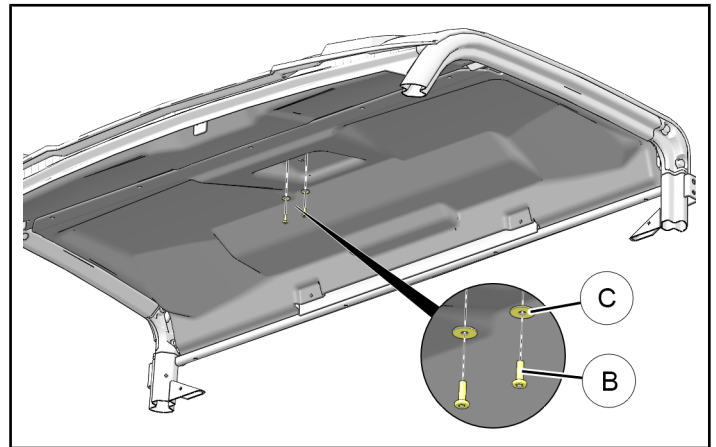
NOTE

Front roof liner can remain installed.

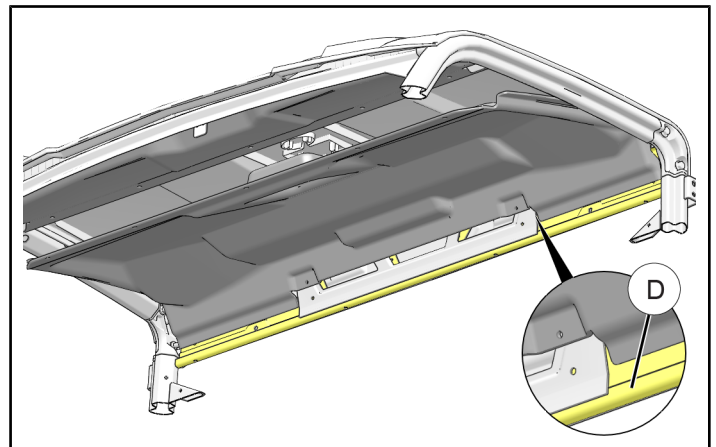
- a. Remove rear (roof mounted) speakers, if installed.
- b. Remove seven push darts (A), two from rear edge and five from front edge. Retain push darts.



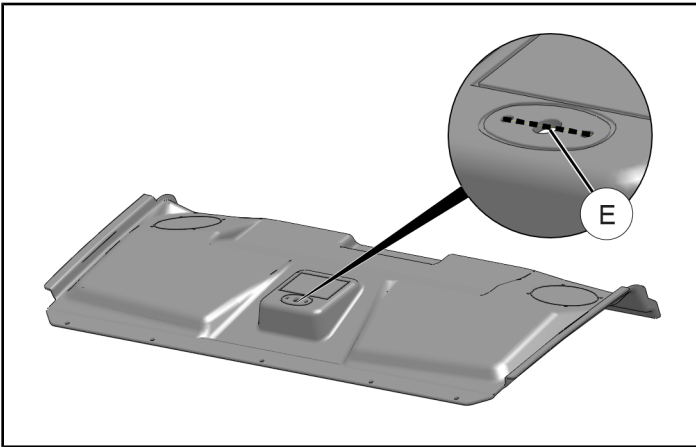
- c. Remove two each screws (B) and washers (C). Hardware will not be reused.



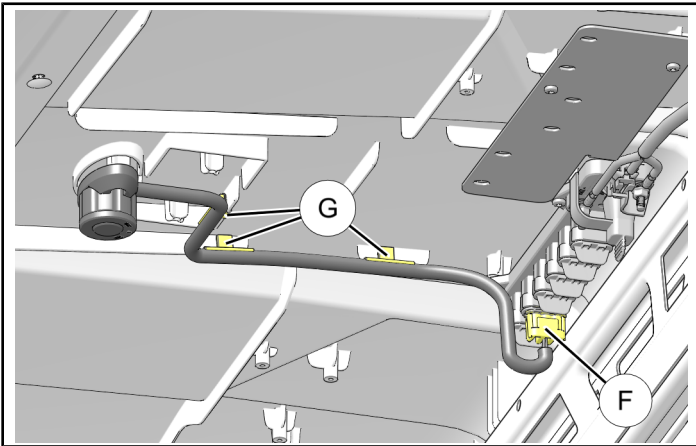
- d. Carefully pull LH and RH edges of liner from between ROPS and roof seal, then remove rear edge of liner from roof support channel (D).



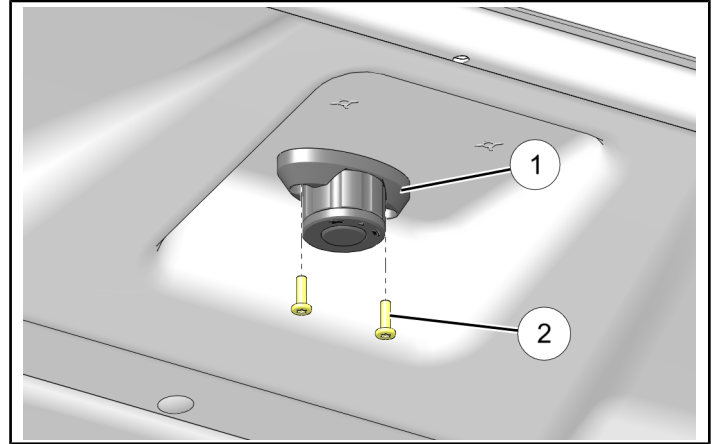
3. Turn rear liner over, then cut slit (E) in liner between two fastener holes as shown.



4. Open power cap on roof terminal block at any open location, then plug in connector (F).



5. Secure light (1) to underside of roof panel using three edge clips (G).
6. Detach removable portion of light from base per separate operation instructions (included), pass light down through slit in rear liner, then reinstall liner.
7. Install light (1) to roof using two screws (2). Do not over-tighten screws.



FEEDBACK FORM

A feedback form has been created for the installer to provide any comments, questions or concerns about the installation instructions. The form is viewable on mobile devices by scanning the QR code or by clicking [HERE](#) if viewing on a PC.

FEEDBACK FORM

