

DOOR ACCENT KIT



P/N 2882870, 2883499

APPLICATION

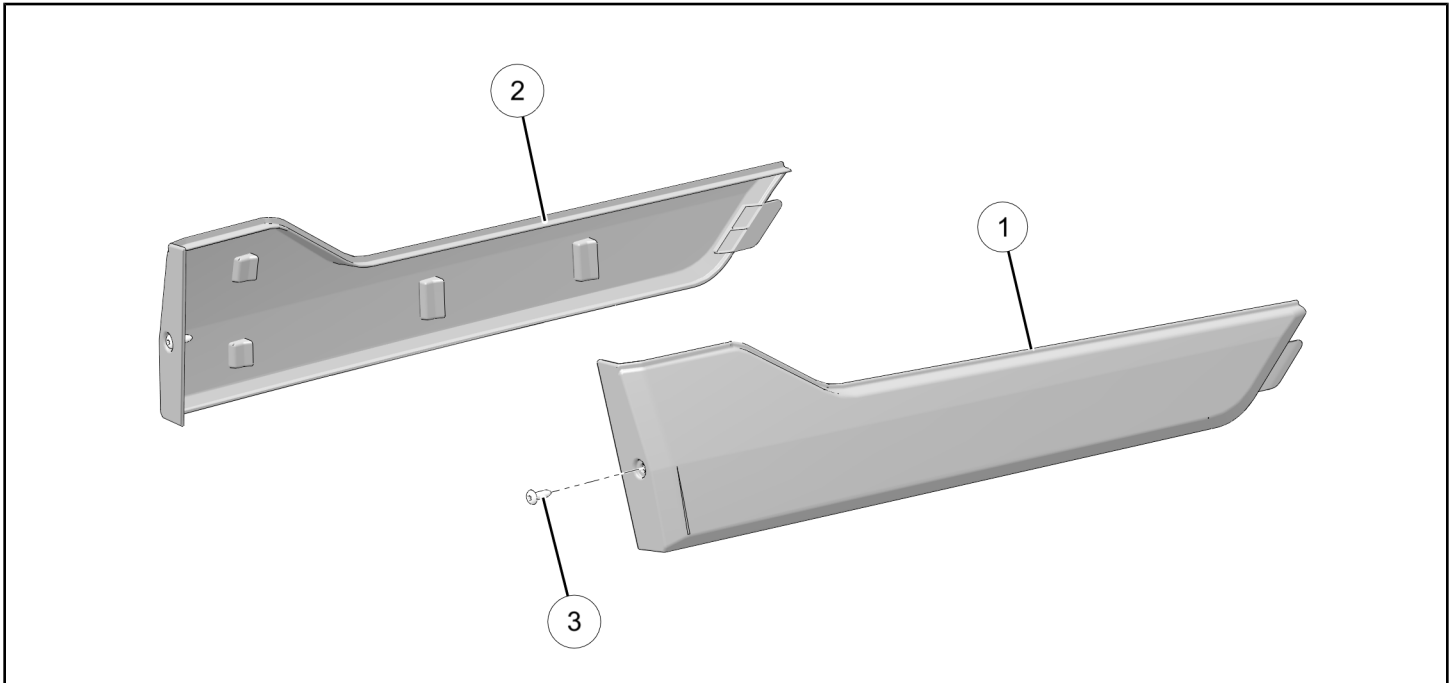
Verify accessory fitment at Polaris.com.

BEFORE YOU BEGIN

Read these instructions and check to be sure all parts and tools are accounted for. Please retain these installation instructions for future reference and parts ordering information.

KIT CONTENTS

This Kit includes:



REF	QTY	PART DESCRIPTION	PART NUMBER
1	1	Accent Panel, Outer Door, LH	-
2	1	Accent Panel, Outer Door, RH	-
3	2	Screw, Torx® Truss Head, High/Low - #14 X 1.75	7519045
	1	Instructions	9928050

TOOLS REQUIRED

- Safety Glasses
- Screwdriver Set, Torx®

IMPORTANT

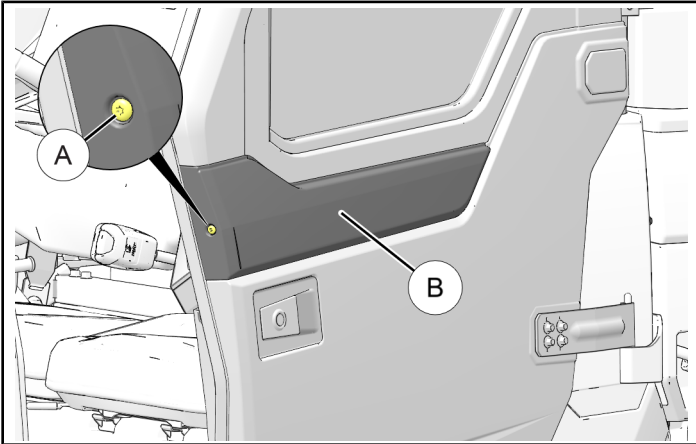
Your Door Accent Kit is exclusively designed for your vehicle. Please read the installation instructions thoroughly before beginning. Installation is easier if the vehicle is clean and free of debris. For your safety, and to ensure a satisfactory installation, perform all installation steps correctly in the sequence shown.

ASSEMBLY TIME

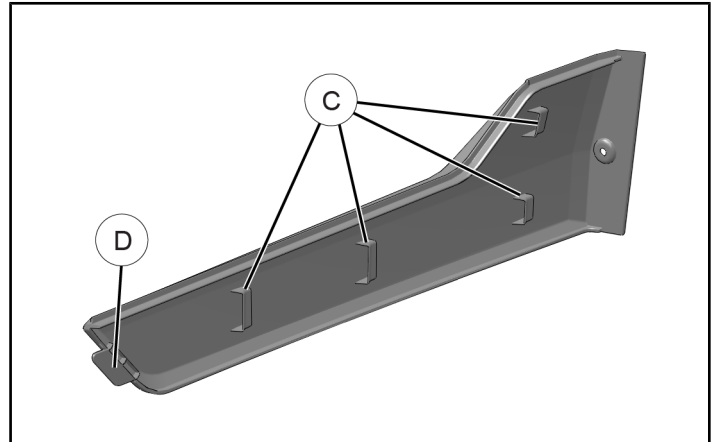
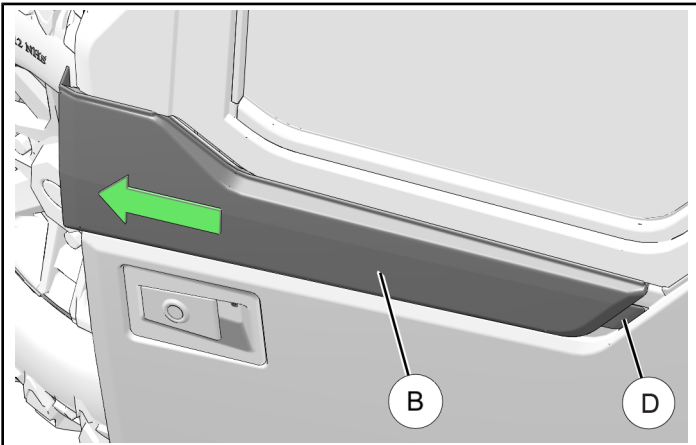
Approximately 5 minutes

INSTALLATION INSTRUCTIONS

1. Shift vehicle transmission into "PARK". Turn key to "OFF" position and remove from vehicle.
2. Open LH door.
3. Remove screw **A** from front end of existing panel **B**. Screw will not be reused.

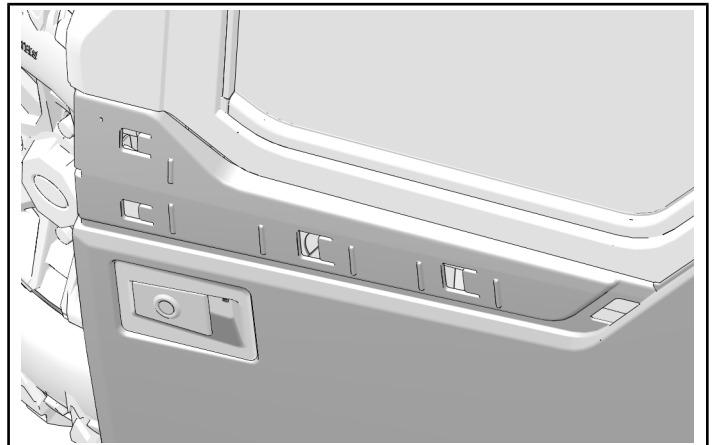


4. Remove existing panel **B** by grasping front end and pulling forward slightly, disengaging four locking receptacles **C** from interior of panel, and one locking tab **D** at rear of panel. Remove panel.



NOTE

Following illustration shows corresponding locking tabs and receptacle on main door panel.



5. Install new LH accent panel **1** by reversing previous Step 4.
6. Install screw **3** to secure front end of panel **1**.
7. Repeat Steps 2–6 for RH door using RH accent panel **2**.

FEEDBACK FORM

A feedback form has been created for the installer to provide any comments, questions or concerns about the installation instructions. The form is viewable on mobile devices by scanning the QR code or by clicking [HERE](#) if viewing on a PC.

FEEDBACK FORM

