

AUDIO KIT



P/N 2882696

APPLICATION

Verify accessory fitment at Polaris.com.

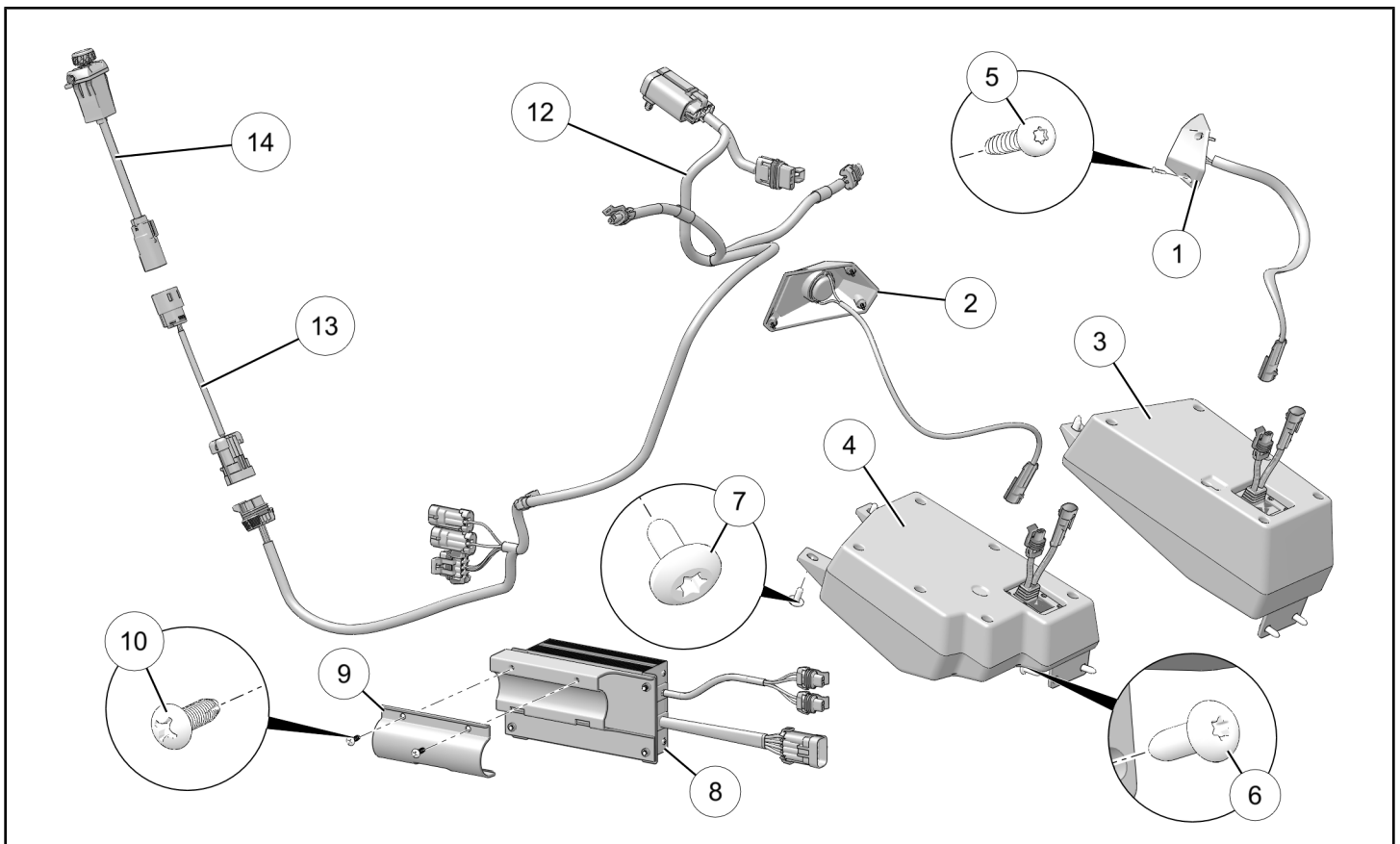
BEFORE YOU BEGIN

Read these instructions and check to be sure all parts and tools are accounted for. Please retain these installation instructions for future reference and parts ordering information.

KIT CONTENTS

This kit contains parts for installation of the audio speakers, amp, and Bluetooth® controller only. A source unit (Bluetooth® or 3.5 mm) is also required (sold separately).

This Kit includes:



REF	QTY	PART DESCRIPTION	PART NUMBER
1	1	Speaker, Tweeter, LH	2636918
2	1	Speaker, Tweeter, RH	2636919
3	1	Speaker, Main, LH	2636916
4	1	Speaker, Main, RH	2636917
5*	6	Screw, Torx® - M3 X 18	-
6*	4	Screw, Torx® Truss Head, High/Low - #14 X 3/4	7519045
7*	4	Screw, Torx® Truss Head - M6 X 1.0 X 16	7518936

REF	QTY	PART DESCRIPTION	PART NUMBER
8	1	Amp (with inner bracket)	4017290
9	1	Bracket, Outer, Amp	-
10*	2	Screw, Phillips - M5 X 0.8 X 15	-
11	-	(unused)	-
12	1	Harness, Main	2414099
13	1	Harness, Adapter	2414214
14	1	Controller, Bluetooth®	4017291
15	1	Cable Tie Kit, 14 inch (kit includes 6 cable ties; not shown)	2207683
	1	Instructions	9927965

Items marked (*) are included in Hardware Kit PN 2207305.

TOOLS REQUIRED

- Safety Glasses
- Drill
- Drill Bit: 5/64 inch (2 mm), 1/8 inch (3 mm)
- Hole Saw: 1 inch (25 mm)
- Pick and Hook Set
- Pliers, Side Cutting
- Ruler
- Scissors
- Screwdriver, Phillips
- Screwdriver Set, Torx®

IMPORTANT

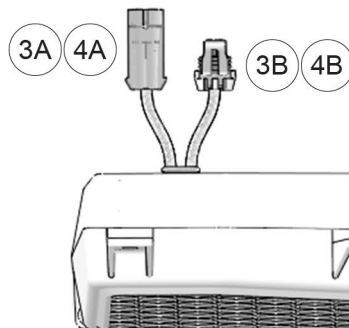
Your Audio Kit is exclusively designed for your vehicle. Please read the installation instructions thoroughly before beginning. Installation is easier if the vehicle is clean and free of debris. For your safety, and to ensure a satisfactory installation, perform all installation steps correctly in the sequence shown.

HARNESS DETAIL

MAIN SPEAKER ③ AND ④:

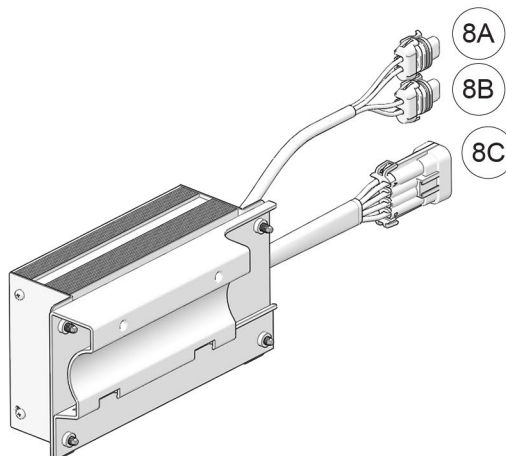
NOTE

RH speaker ④ shown; LH speaker ③ similar.



REF	PART DESCRIPTION	WIRE COLOR	PIN QTY/ GENDER	CONNECTS TO
3A/4A	Connector, Signal Source (identified as: SPEAKER L / SPEAKER R)	-	2 male	Main harness ⑫, connector 12C or 12J
3B/4B	Connector, Tweeter (identified as: TWEETER L / TWEETER R)	-	2 female	LH tweeter speaker ① or RH tweeter speaker ②

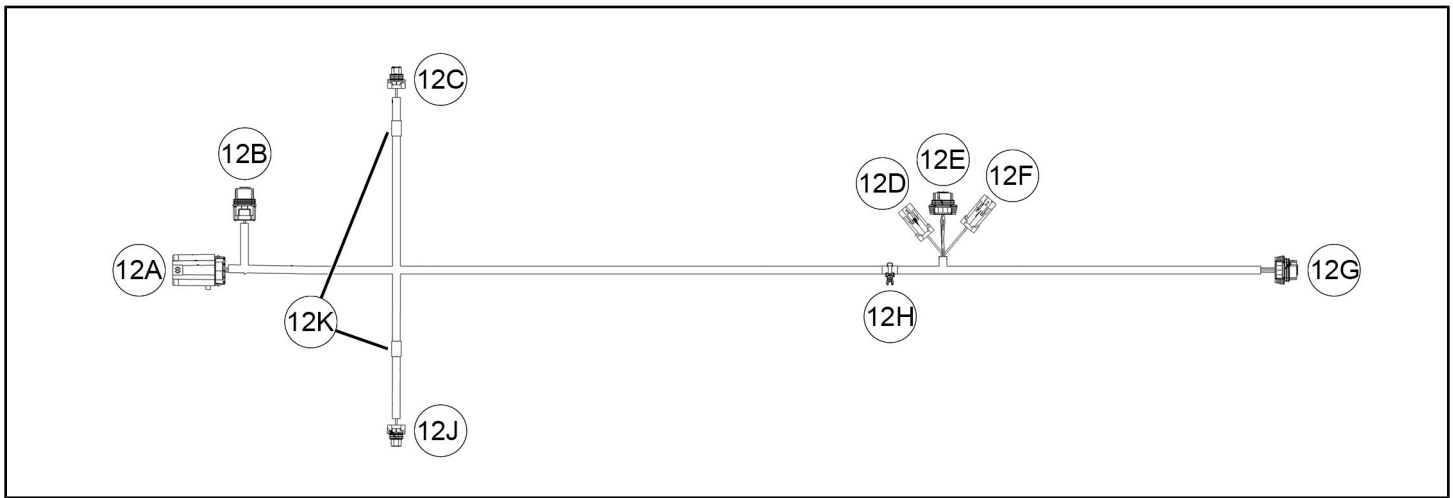
AMP ⑧:



REF	PART DESCRIPTION	WIRE COLOR	PIN QTY/ GENDER	CONNECTS TO
8A	Connector, LF Amp	White*	2 female	Main harness ⑫, connector 12F
8B	Connector, RF Amp	Gray*	2 female	Main harness ⑫, connector 12D
8C	Connector, Amp	-	8 male	Main harness ⑫, connector 12E

* With or without black stripe.

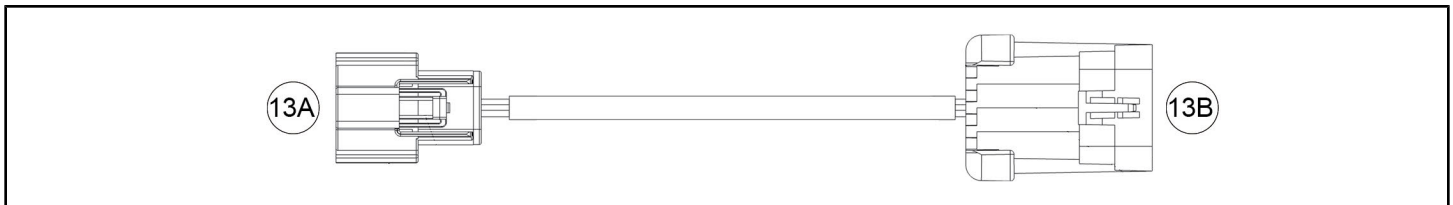
MAIN HARNESS ⑫:



REF	PART DESCRIPTION	WIRE COLOR	PIN QTY/ GENDER	CONNECTS TO
12A	Relay/Fuse Block	-	-	Vehicle structure
12B	Connector, Terminal Block (identified as: ACC 12V)	-	3 female	Vehicle terminal block
12C	Connector, Speaker, LF (identified as: LF SPEAKER)	White*	2 female	LH main speaker ③, connector 3A
12D	Connector, RF Amp OUT	Gray*	2 male	Amp ⑧, connector 8B
12E	Connector, Amp	-	8 female	Amp ⑧, connector 8C
12F	Connector, LF Amp OUT	White*	2 male	Amp ⑧, connector 8A
12G	Connector, Audio Source (identified as: AUDIO SOURCE)	-	8 female	Adapter harness ⑬, connector 13B
12H	Clip, Edge	-	-	Vehicle structure
12J	Connector, Speaker, RF (identified as: RF SPEAKER)	Gray*	2 female	RH main speaker ④, connector 4A
12K	Tape, White (2 places)	-	-	Identifies installation location for cable tie ⑮

* With or without black stripe.

ADAPTER HARNESS ⑬:



REF	PART DESCRIPTION	WIRE COLOR	PIN QTY/ GENDER	CONNECTS TO
13A	Connector, Audio Source	-	8 female	Bluetooth® controller ⑭
13B	Connector, Main Harness	-	8 male	Main harness ⑫, connector 12G

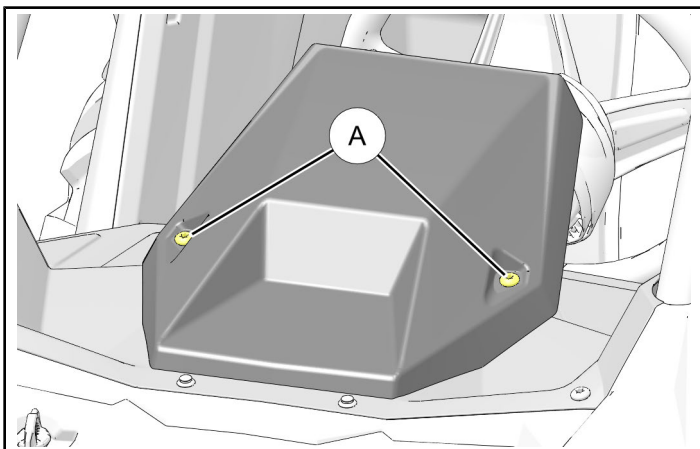
INSTALLATION INSTRUCTIONS

1. Shift vehicle transmission into "PARK". Turn ignition switch to "OFF" position and remove key.

⚠ WARNING

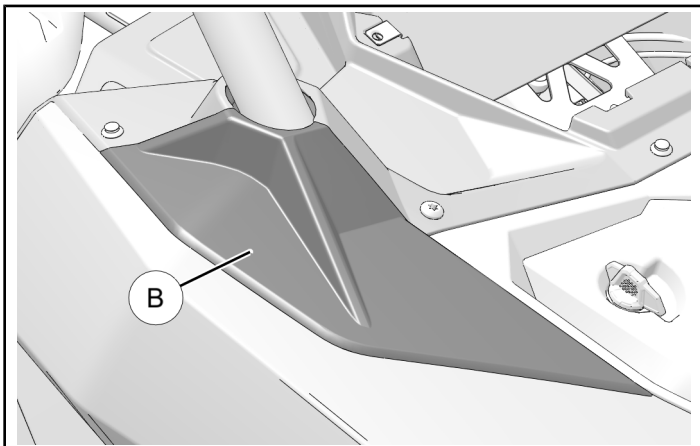
Ensure red positive (+) battery terminal is **COMPLETELY COVERED** by protective boot. Accidental tool contact across both battery terminals will result in high current electrical arc, and may result in battery explosion. Death or serious personal injury may occur.

2. Remove hood and under-hood storage compartment, then disconnect black negative (-) cable from battery.
3. Gain access.
 - a. Remove visor by removing two screws (A). Retain screws.



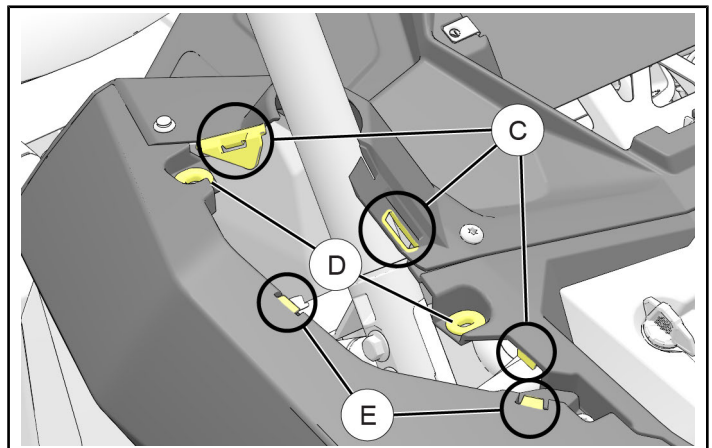
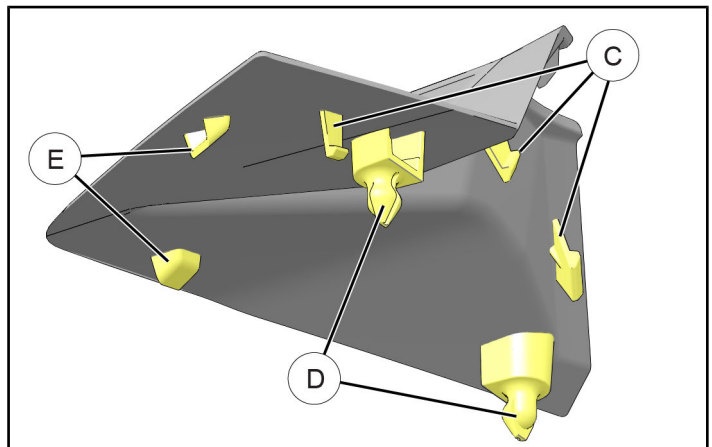
- b. Remove RH A-pillar access cover (B) by grasping rear inboard corner of cover with fingers, then lift to detach three locking tabs (C), two posts (D), and two locking tabs (E). Set cover aside.

Repeat for LH side.

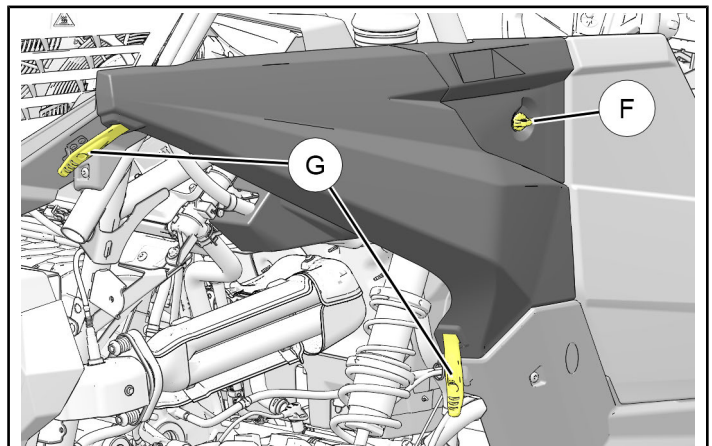


NOTE

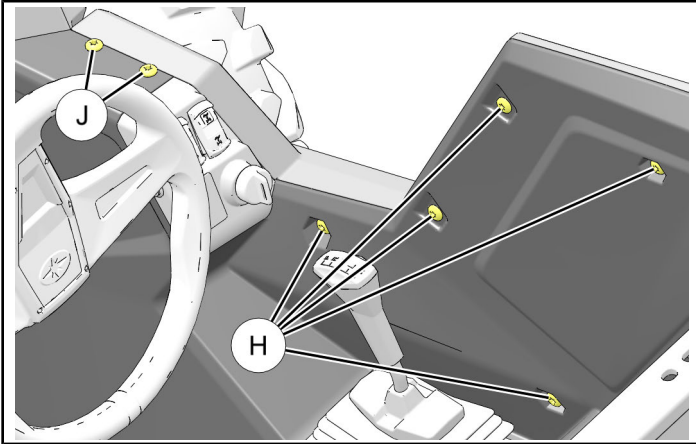
View of underside of cover looking rearward.



- c. Remove RH rear fender by unlocking quarter turn latch (F) and unhooking two straps (G).



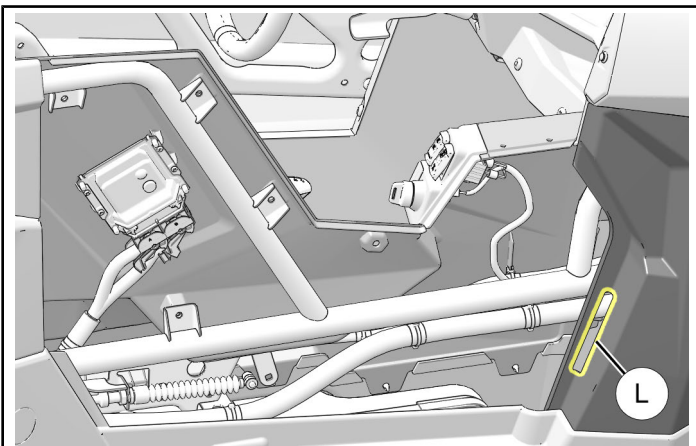
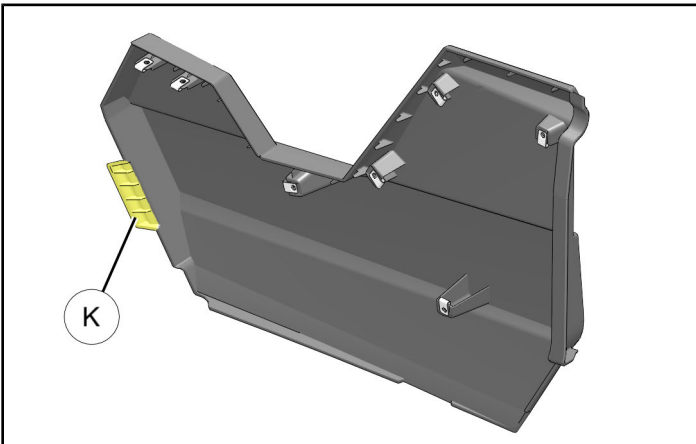
- d. From inside of vehicle remove five screws (H) securing RH exterior body panel to frame. Retain screws.



- e. From outside of vehicle, and while supporting exterior body panel, remove final two screws (J), then remove panel by detaching locking tab (K) from mating slot (L) in front fender. Set panel aside.

NOTE

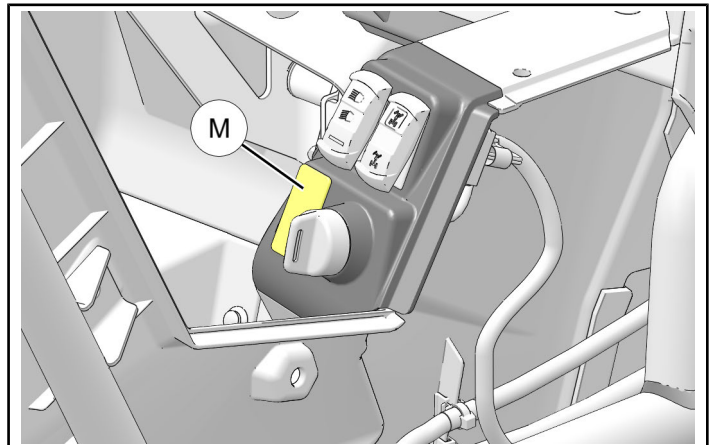
View of exterior RH door panel, interior side.



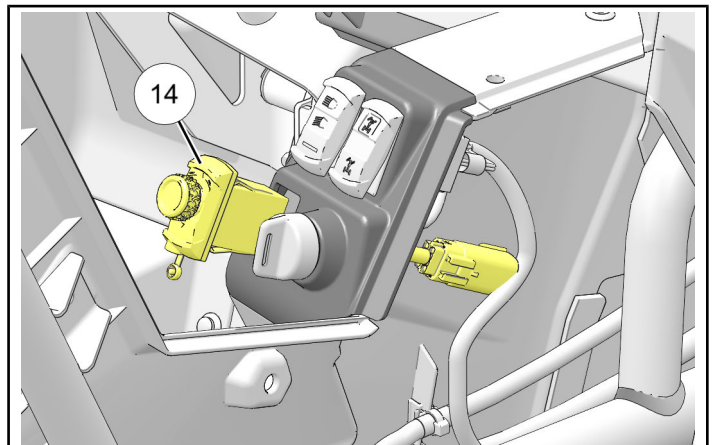
4. Install Bluetooth® controller and adapter harness.
a. Remove empty switch blank (M).

NOTE

Any open location may be used.



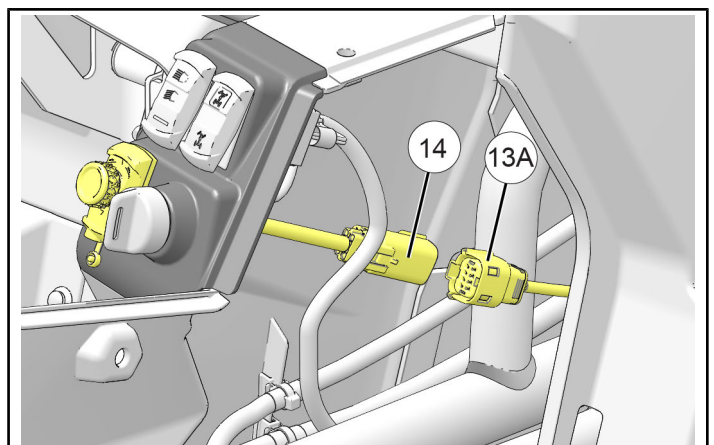
- b. Install Bluetooth® controller (14) into switch cutout. Ensure volume markings are up, and auxiliary input jack is down.



- c. Join connector 13A on adapter harness (13) to Bluetooth® controller (14).

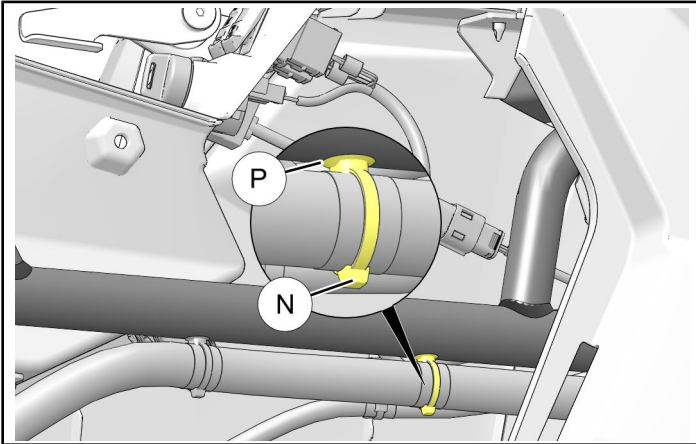
NOTE

See previous section, **HARNESS DETAIL**, for connector identification.

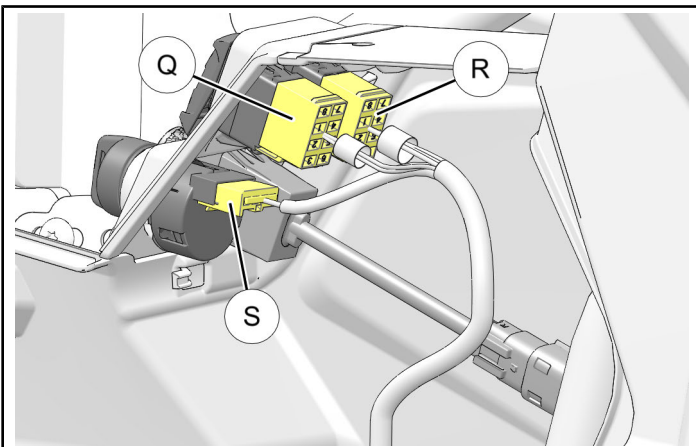


5. Install amp and bracket assembly.

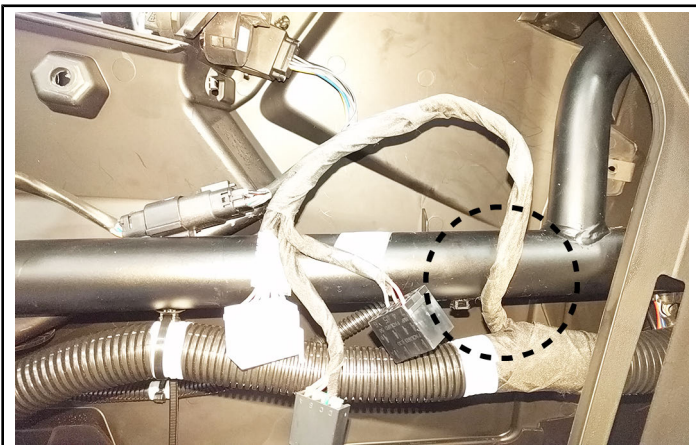
- a. Cut forward chassis harness cable tie (N). Do not remove routing clip (P).



- b. Detach chassis breakout harness from AWD switch (Q), headlight switch (R), and ignition switch (S).

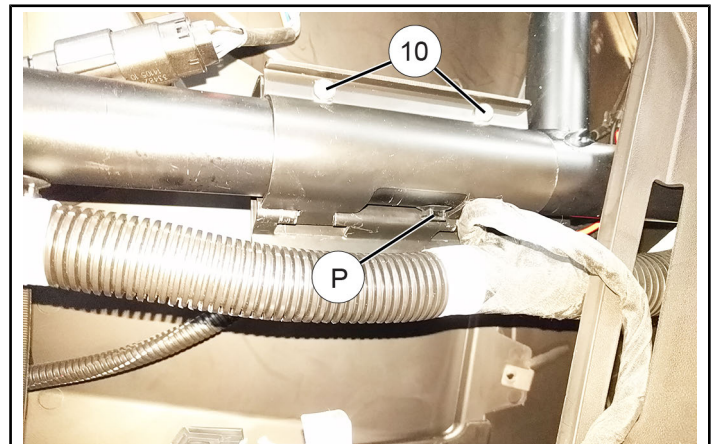
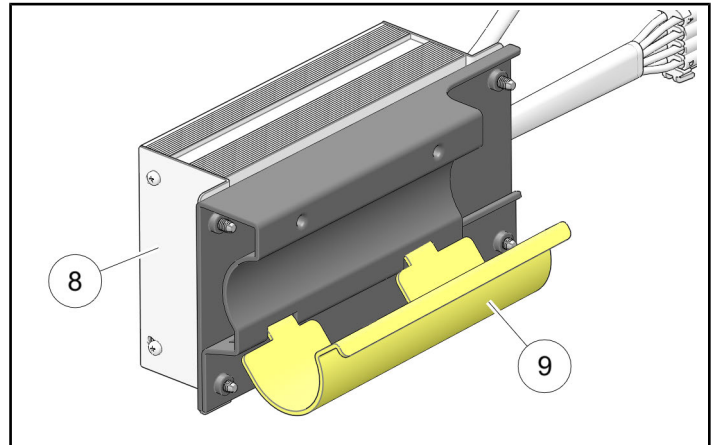


- c. Reroute chassis breakout harness from INSIDE of chassis tubing to OUTSIDE of chassis tubing as shown.



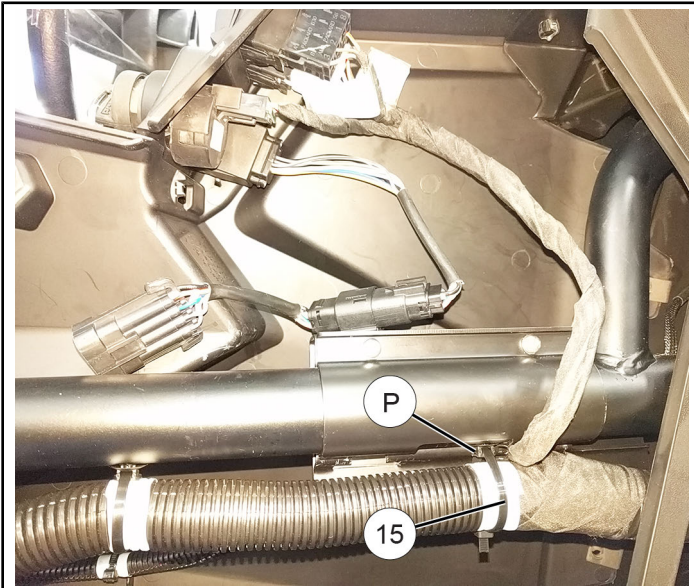
- d. Position amp (8) (with pre-attached inner bracket) on inboard side of chassis tubing. Install lower tabs in outer bracket (9) to mating slots in inner bracket. Rotate outer bracket upwards, then secure both brackets to chassis tubing using two screws (10).

Slide amp forward until cutout in forward end of inner bracket fits around T-joint in chassis tubing, and routing clip (P) fits into slot on bottom of outer bracket.

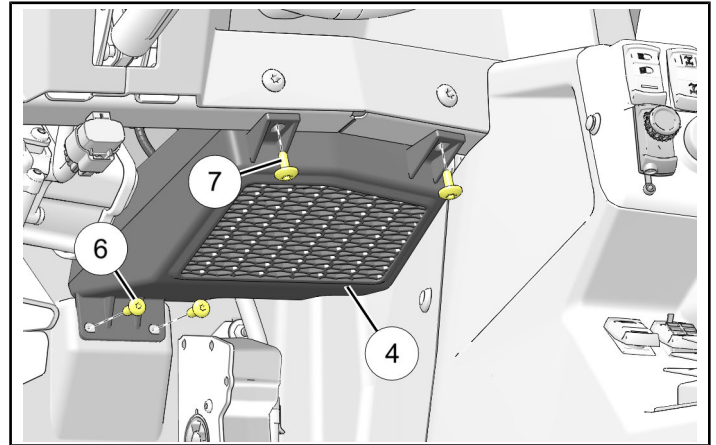


- e. Reconnect chassis breakout harness to AWD switch (Q), headlight switch (R), and ignition switch (S). See previous Step b.

- f. Reattach chassis harness to routing clip **P** using cable tie **15**.



- b. Install RH speaker **4** using two each screws **6** and **7**. Do not overtighten screws.



- c. Repeat Steps a-b for LH side using speaker **3**.

7. Install tweeters.

- a. Detach template page located at end of this instruction.
- b. Locate REFERENCE DIMENSION on template page. Verify templates were printed to proper scale by using ruler to verify REFERENCE DIMENSION is exactly 5 inches.

6. Install main speakers.

- a. From interior of vehicle, and using 1/8 inch (3 mm) drill bit, drill out two fastener dimples **T** on forward side of floor panel (firewall). Only drill deep enough to penetrate panel surface and enter pre-drilled bosses on opposite side of panel.

IMPORTANT

Control drill depth to prevent damage to chassis structure on forward side of panel.

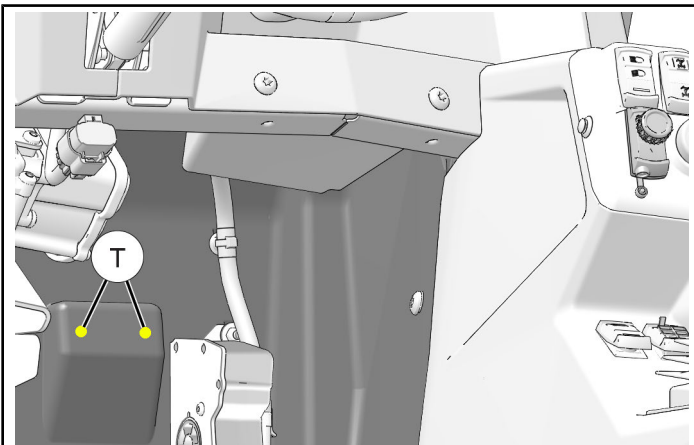
NOTE

RH side shown; LH side similar.

IMPORTANT

If your measurement is not exactly 5 inches, then reprint template pages from electronic file using print setting "**Actual Size**" (not "Fit") to obtain 1:1 scale. Electronic file available from your **Authorized Polaris Dealer**.

- c. Carefully cut out each template (LH and RH) along lines.

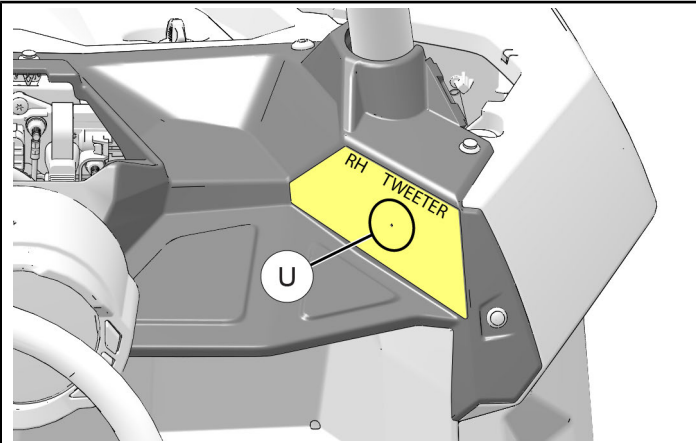


- d. Secure template to upper dash panel, aligning outside edges as shown. Ensure appropriate template is used (**LH TWEETER** or **RH TWEETER**).

Use ice pick (or equivalent) to mark center of harness passage hole (U).

NOTE

RH side shown; LH side opposite.

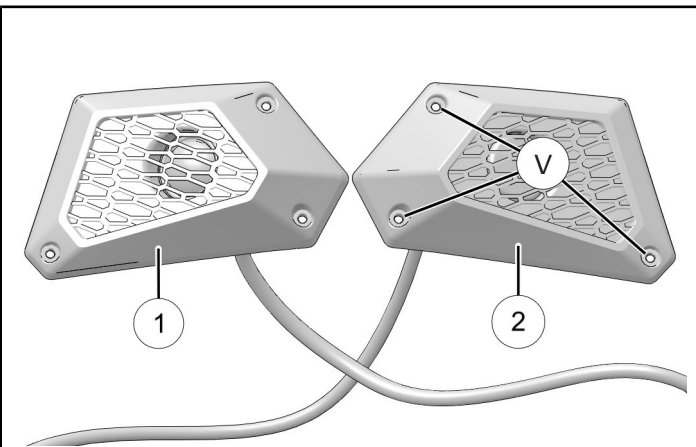


- e. Remove template, then carefully drill harness passage hole at marked location using 1.5 inch (38 mm) hole saw.

IMPORTANT

Control drill depth to prevent damage to underlying structure, components, wiring, etc.

- f. Temporarily place RH tweeter (2) (GRAY wires, identified as **TWEETER RH**) against upper dash, inserting tweeter connector through hole, then use ice pick (or equivalent) to mark three mounting holes (V).

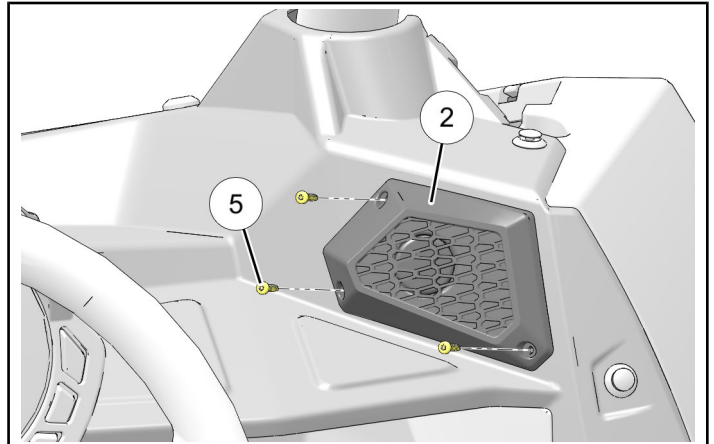


- g. Remove tweeter, then carefully drill three mounting holes at marked locations using 5/64 inch (2 mm) drill bit.

IMPORTANT

Control drill depth to prevent damage to underlying structure, components, wiring, etc.

- h. Install RH tweeter (2) to upper dash panel using three screws (5). Do not overtighten screws.



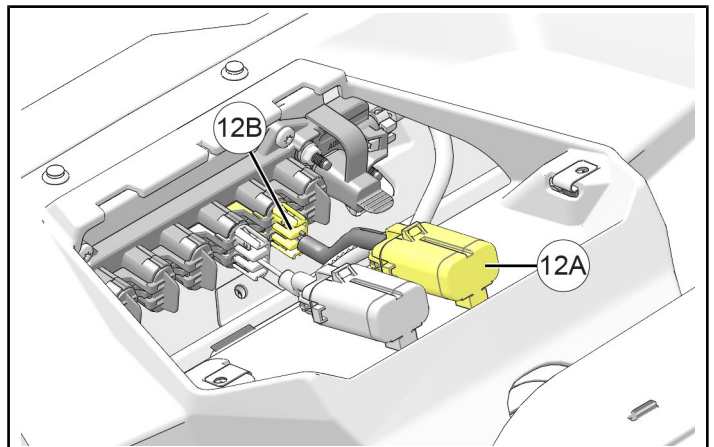
- i. Repeat Steps d-h for LH tweeter (1) (WHITE wires, identified as **TWEETER LH**).

- 8. Install main harness.

NOTE

See previous section, **HARNES DETAIL**, for connector identification.

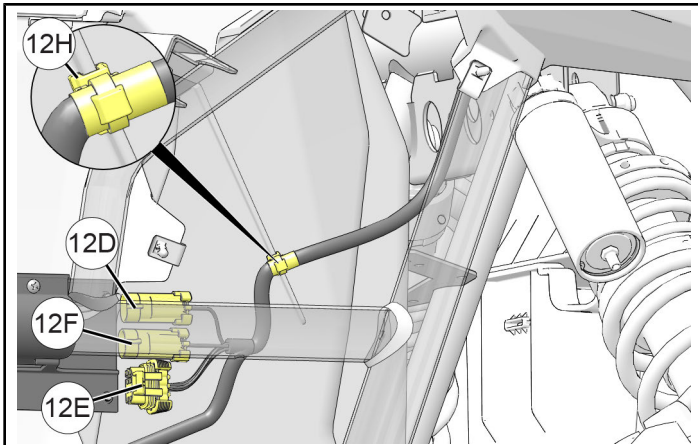
- a. Install relay/fuse block 12A on main harness (12) to upper dash panel using attached fir tree clip.



- b. Open power cap on vehicle terminal block at any open location, then plug in connector 12B (identified as: **ACC 12V**).

- c. Route connectors 12D, 12E, 12F, and 12G on main harness ⑫ beneath upper dash panel towards base of RH ROPS A-pillar, then downwards towards amp ⑧.

View looking inboard. Fender and chassis shown partially transparent for clarity.



- d. Join main harness ⑫ to amp ⑧ as follows:
 - i. Harness connector 12E to amp connector 8C.
 - ii. RF signal (**GRAY** wires): Harness connector 12D to amp connector 8B.
 - iii. LF signal (**WHITE** wires): Harness connector 12F to amp connector 8A.
- e. Secure harness ⑫ to panel flange using edge clip 12H. See previous Step c for illustration.
- f. Join connector 12G on main harness ⑫ to connector 13B on adapter harness ⑬.
- g. Join main harness ⑫ to speakers as follows:

CAUTION

Main harness ⑫ **MUST** be connected to main speakers ③ and ④. Main speakers are then connected to tweeters ① and ②. Connecting main harness directly to tweeters may result in system damage.

FEEDBACK FORM

A feedback form has been created for the installer to provide any comments, questions or concerns about the installation instructions. The form is viewable on mobile devices by scanning the QR code or by clicking [HERE](#) if viewing on a PC.



RH SIDE

- i. Route RF speaker connector 12J (identified as: **RF SPEAKER**) to RH side of dash, then join to connector 4A on RH **MAIN** speaker ④. Do NOT connect main harness directly to tweeter.

IMPORTANT

Ensure routing will prevent harness contact with hot components, sharp edges, or moving parts.

- ii. Join RH tweeter ② (GRAY wires, identified as **TWEETER RH**) to remaining connector 4B on RH main speaker ④.

LH SIDE

- i. Route LF speaker connector 12C (identified as: **LF SPEAKER**) to LH side of dash, then join to connector 3A on LH **MAIN** speaker ③. Do NOT connect main harness directly to tweeter.

IMPORTANT

Ensure routing will prevent harness contact with hot components, sharp edges, or moving parts.

- ii. Join LH tweeter ① (WHITE wires, identified as **TWEETER LH**) to remaining connector 3B on LH main speaker ③.

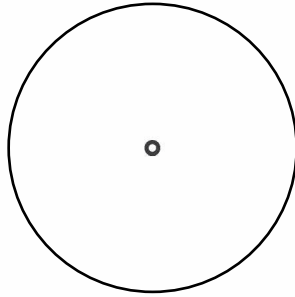
- h. Secure LH and RH speaker connector breakouts to existing vehicle routing/structure at white tape locations 12K using two cable ties ⑮.

NOTE

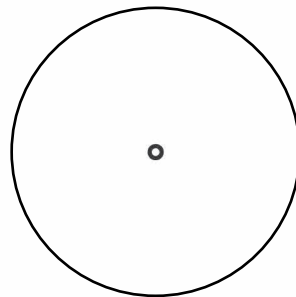
Additional cable ties are provided. Use as needed to prevent harness contact with hot components, sharp edges, or moving parts.

- 9. Restore access. See Step 3.
- 10. Reconnect black negative (-) cable to battery, then reinstall under-hood storage compartment and hood.

LH TWEETER



RH TWEETER



REFERENCE DIMENSION

THIS PAGE INTENTIONALLY BLANK