

FRONT RECEIVER KIT



P/N 2882782

APPLICATION

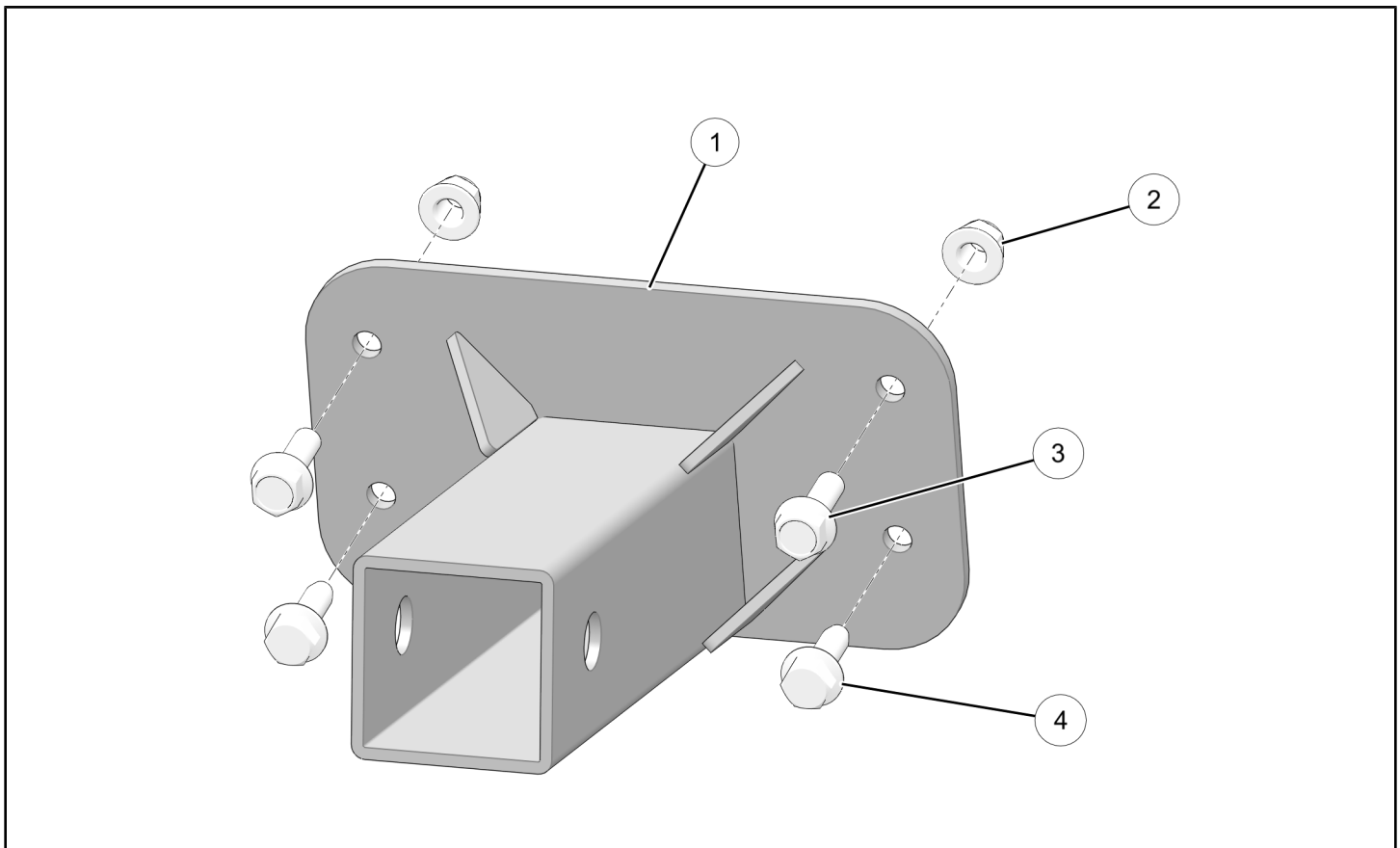
Verify accessory fitment at Polaris.com.

BEFORE YOU BEGIN

Read these instructions and check to be sure all parts and tools are accounted for. Please retain these installation instructions for future reference and parts ordering information.

KIT CONTENTS

This Kit includes:



REF	QTY	PART DESCRIPTION	PART NUMBER
1	1	Receiver, Front	-
2*	2	Nut, Hex Flange, Locking - M8 X 1.25	7547332
3*	2	Screw, Hex Flange - M8 X 1.25 X 25	7518514
4*	2	Screw, Hex Flange, Self-Tapping - M8 X 1.25 X 25	7519156
	1	Instructions	9927936

Items marked (*) are included in Hardware Kit PN 2207086.

TOOLS REQUIRED

- Safety Glasses
- Socket Set, Metric
- Torque Wrench
- Wrench Set, Metric

IMPORTANT

Your Front Receiver Kit is exclusively designed for your vehicle. Please read the installation instructions thoroughly before beginning. Installation is easier if the vehicle is clean and free of debris. For your safety, and to ensure a satisfactory installation, perform all installation steps correctly in the sequence shown.

ASSEMBLY TIME

Approximately 10 minutes

INSTALLATION INSTRUCTIONS

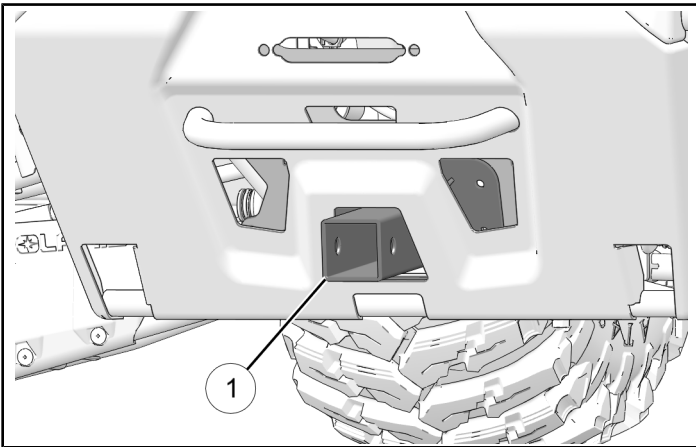
⚠ WARNING

Do not exceed maximum capacities. Exceeding maximum capacities may result in receiver failure, resulting in death, serious personal injury, or serious damage to vehicle or property.

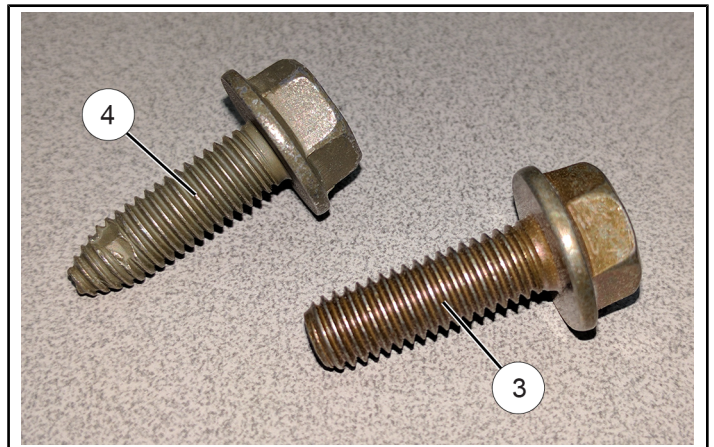
Maximum Tongue Weight: 100 lbs (45 Kg)

Maximum Tow Weight: 1200 lbs (540 Kg)

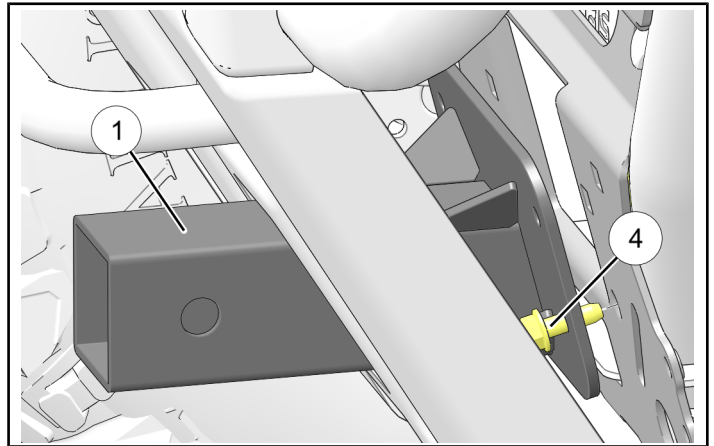
1. Shift vehicle transmission into "PARK". Turn key to "OFF" position and remove from vehicle.
2. Position front receiver ① immediately behind front bumper, then insert forward end of receiver through bumper cutout.



3. Screws ③ and ④ have the same dimensions. Differentiate them as follows:
 - Screw ③ has a blunt tip
 - Screw ④ has a tapered and notched tip



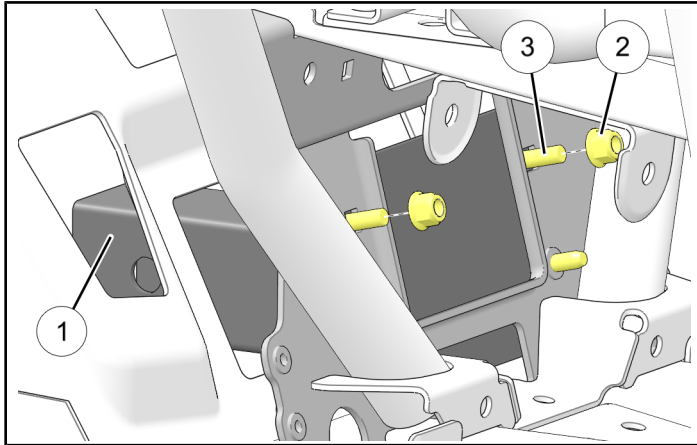
4. Loosely install front receiver ① to vehicle using two self-tapping screws ④ at LOWER fastener holes.



5. Install two each screws ③ and nuts ② at UPPER fastener holes.

NOTE

Front suspension components hidden for clarity.



6. Torque all four screws to specification.

TORQUE

16 ± 2 ft. lbs. (22 ± 2 Nm)

FEEDBACK FORM

A feedback form has been created for the installer to provide any comments, questions or concerns about the installation instructions. The form is viewable on mobile devices by scanning the QR code or by clicking [HERE](#) if viewing on a PC.

FEEDBACK FORM

