

FLOOR MATS KIT



P/N 2882780

APPLICATION

Verify accessory fitment at Polaris.com.

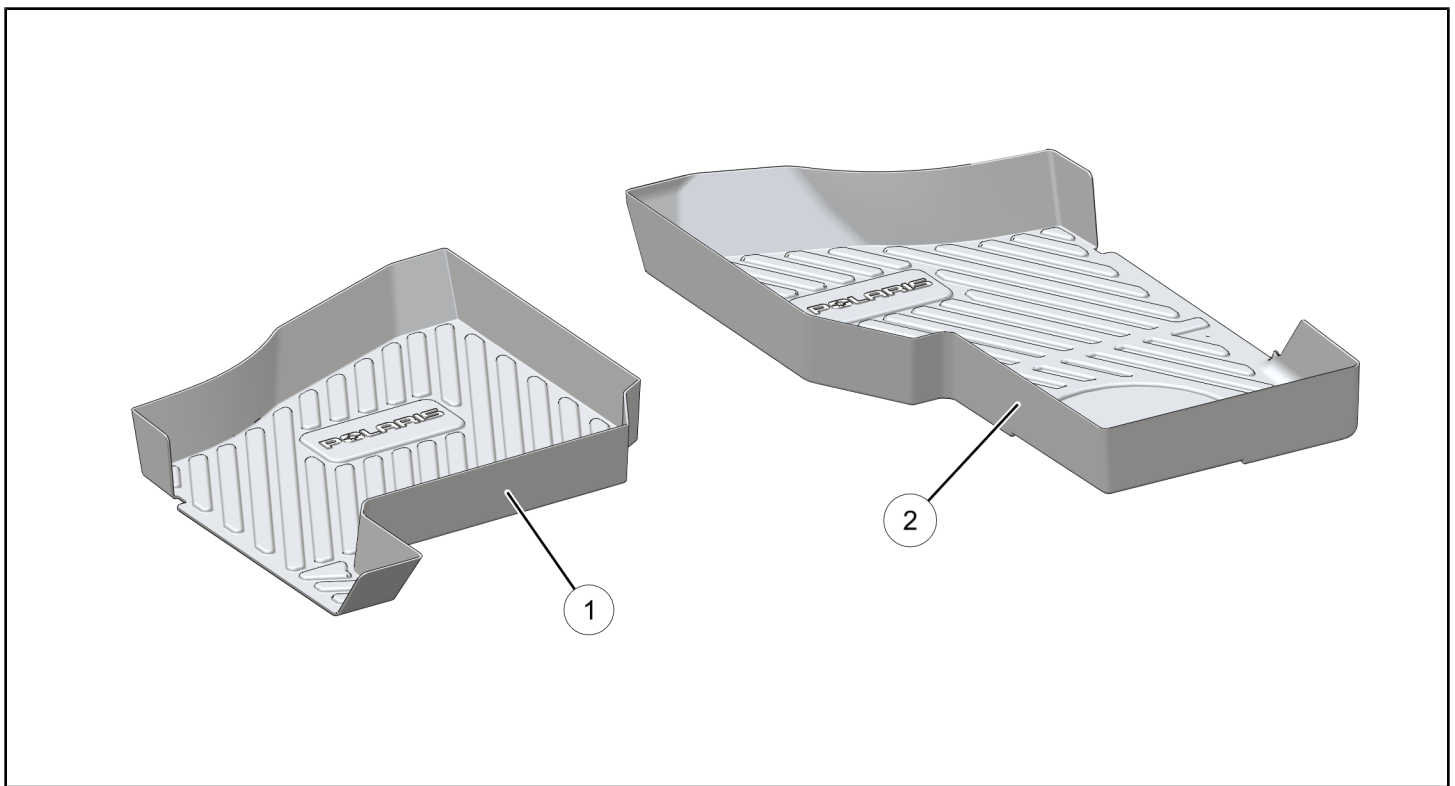
BEFORE YOU BEGIN

Read these instructions and check to be sure all parts and tools are accounted for. Please retain these installation instructions for future reference and parts ordering information.

KIT CONTENTS

OPTIONAL: If passenger floor mat is secured to floor then #14 X 3/4 inch high-low screws (commercially available), quantity 2 or 4 (as desired), will also be required.

This Kit includes:



REF	QTY	PART DESCRIPTION	PART NUMBER
1	1	Floor Mat, LH	5416336
2	1	Floor Mat, RH	5416337
	1	Instructions	9927934

TOOLS REQUIRED

- Safety Glasses
- Cutting Tool*
- Drill*
- Drill Bit: 3/16 inch, 1/4 inch*
- Screwdriver (type as required)*

* Tool requirement dependent on specific installation.

IMPORTANT

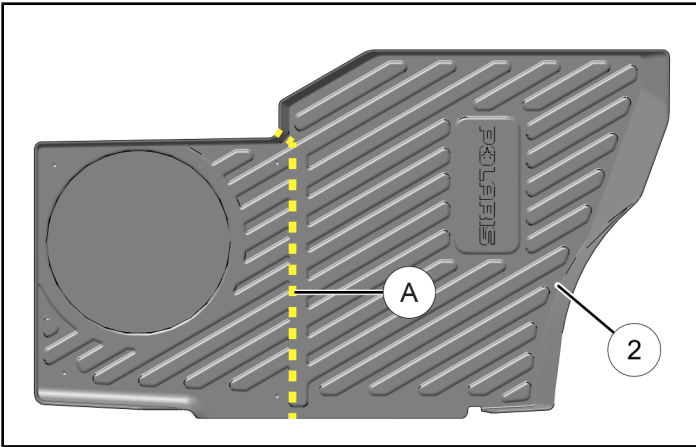
Your Floor Mats Kit is exclusively designed for your vehicle. Please read the installation instructions thoroughly before beginning. Installation is easier if the vehicle is clean and free of debris. For your safety, and to ensure a satisfactory installation, perform all installation steps correctly in the sequence shown.

ASSEMBLY TIME

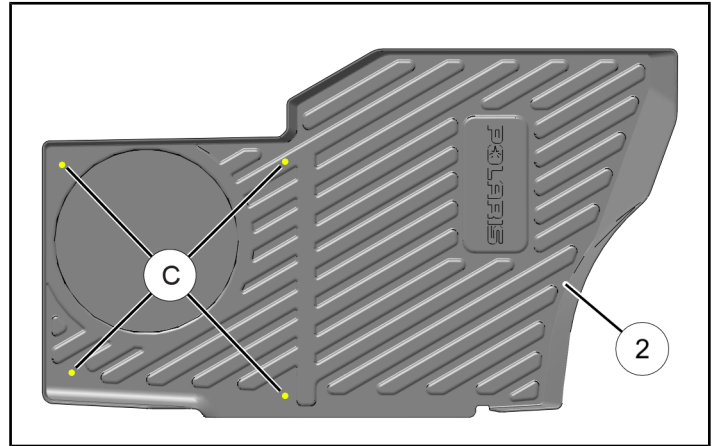
Approximately 5–10 minutes

INSTALLATION INSTRUCTIONS

1. Shift vehicle transmission into “PARK”. Turn key to “OFF” position and remove from vehicle.
2. OPTIONAL: If Subwoofer Kit PN 2882890 is (or will be) installed, then cut passenger floor mat ② along line A as shown. Rear portion of mat will not be installed.



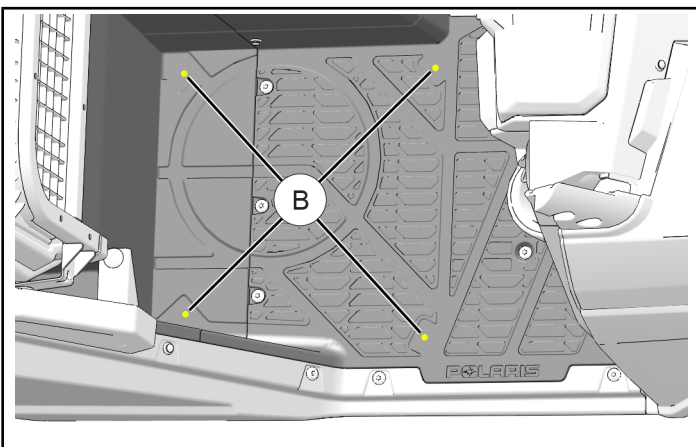
- b. With mat OUT OF VEHICLE drill 1/4 inch diameter holes through mat ② at mid and/or rear indented marks C corresponding to holes drilled in previous step.



3. OPTIONAL: If desired, UNCUT passenger floor mat ② can be secured to floor.
 - a. Drill 3/16 inch diameter holes in passenger floor at mid and/or rear indented marks B (as desired) to a **MAXIMUM DEPTH** of 5/8 inches.

IMPORTANT

Use drill stop to ensure maximum drill depth is not exceeded. Drill depth in excess of 5/8 inches will penetrate floor stand-offs and damage vehicle structure.



- c. Secure mat to passenger floor using #14 X 3/4 inch high-low screws (commercially available). Do not overtighten screws.
4. Place driver floor mat ① and passenger floor mat ② into foot wells.

FEEDBACK FORM

A feedback form has been created for the installer to provide any comments, questions or concerns about the installation instructions. The form is viewable on mobile devices by scanning the QR code or by clicking [HERE](#) if viewing on a PC.

