

# HORN KIT



**P/N 2882764**

## APPLICATION

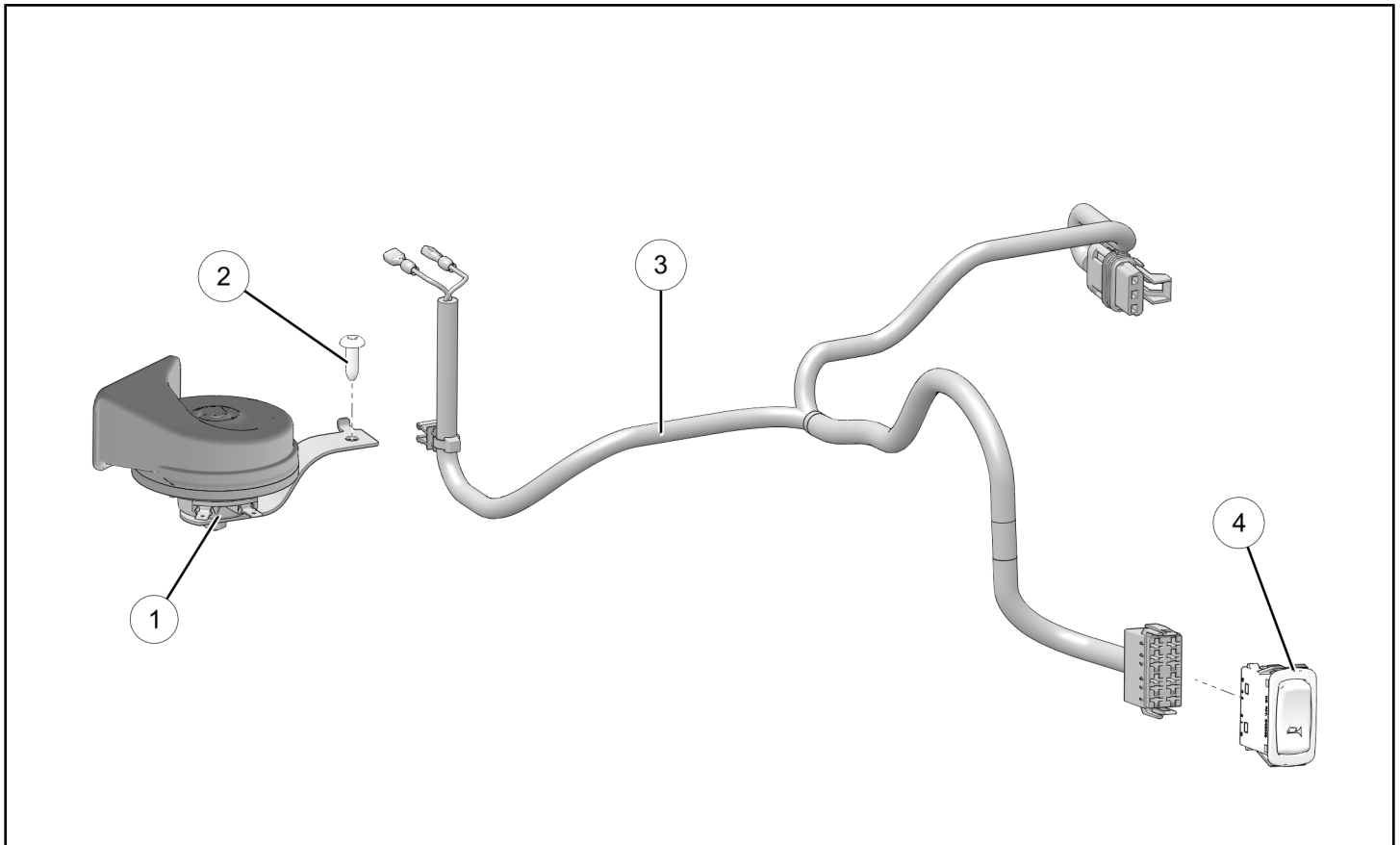
Verify accessory fitment at [Polaris.com](http://Polaris.com).

## BEFORE YOU BEGIN

Read these instructions and check to be sure all parts and tools are accounted for. Please retain these installation instructions for future reference and parts ordering information.

## KIT CONTENTS

This Kit includes:



REF	QTY	PART DESCRIPTION	PART NUMBER
1	1	Horn	4011408
2	1	Screw, Torx® Truss Head, High/Low - #14 X 3/4	7519045
3	1	Harness	2413994
4	1	Switch	4017130
5	2	Cable Tie, 7 inch (not shown)	7080138
	1	Instructions	9927927

## TOOLS REQUIRED

- Safety Glasses
- Cutting Tool
- Pliers, Push Pin Rivet
- Screwdriver Set, Torx®

## IMPORTANT

Your Horn Kit is exclusively designed for your vehicle. Please read the installation instructions thoroughly before beginning. Installation is easier if the vehicle is clean and free of debris. For your safety, and to ensure a satisfactory installation, perform all installation steps correctly in the sequence shown.

## ASSEMBLY TIME

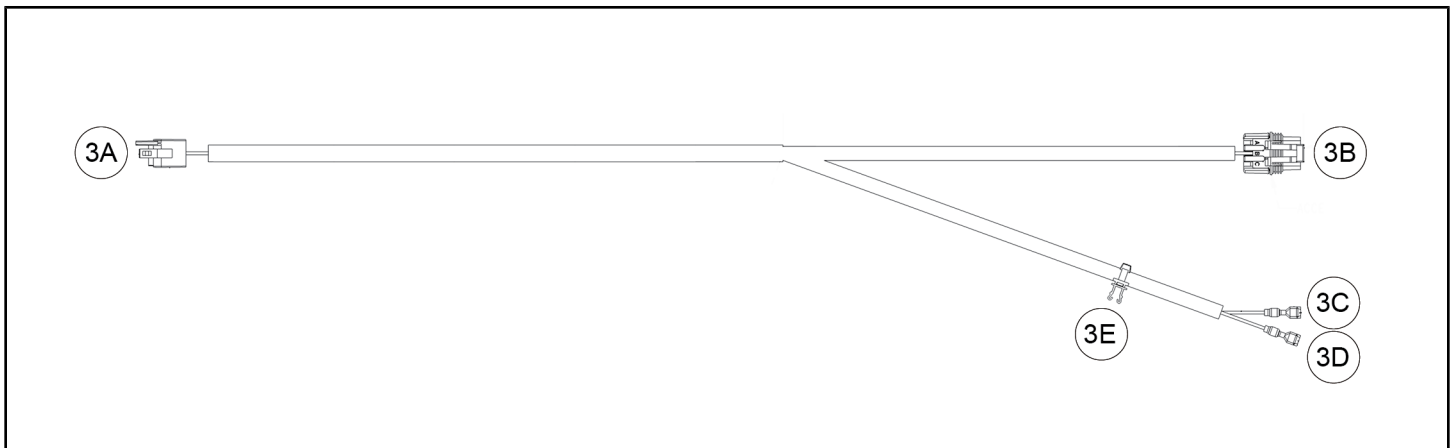
Approximately 20 minutes

### NOTE

Additional time may be required to accommodate other accessories.

## HARNESS DETAIL

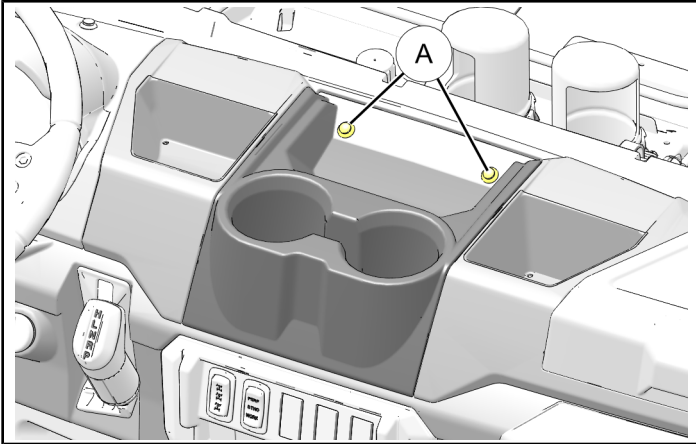
### HARNESS ③:



REF	PART DESCRIPTION	WIRE COLOR	PIN QTY/ GENDER	CONNECTS TO
3A	Connector, Switch	-	12 female	Switch ④
3B	Connector, Terminal Block	-	3 female	Vehicle terminal block
3C	Terminal, Blade	Brown	1 female	Horn, negative (-) terminal
3D	Terminal, Blade	Blue/ White	1 female	Horn, positive (+) terminal
3E	Clip, Edge (Routing)	-	-	Vehicle structure

## INSTALLATION INSTRUCTIONS

1. Shift vehicle transmission into "PARK". Turn key to "OFF" position and remove from vehicle.
2. Gain access.
  - a. Remove hood.
  - b. Remove upper dash cupholder by removing two push pin rivets (A), then sliding cupholder rearward. Retain rivets.

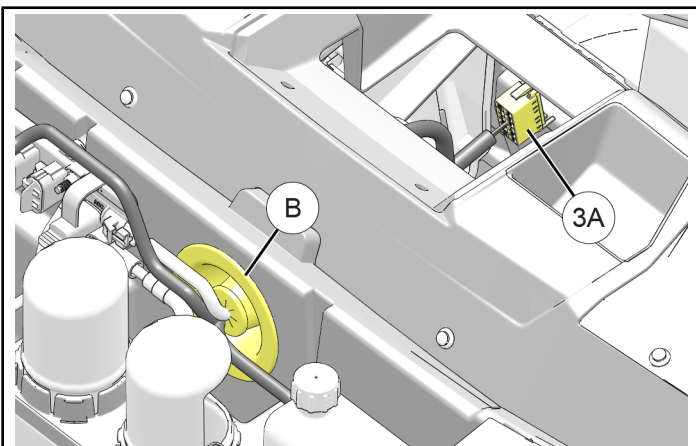


3. Route connector 3A on harness (3) from under-hood compartment rearward through firewall grommet (B) into upper dash compartment.

See previous section, **HARNES DETAIL**, for connector identification.

### NOTE

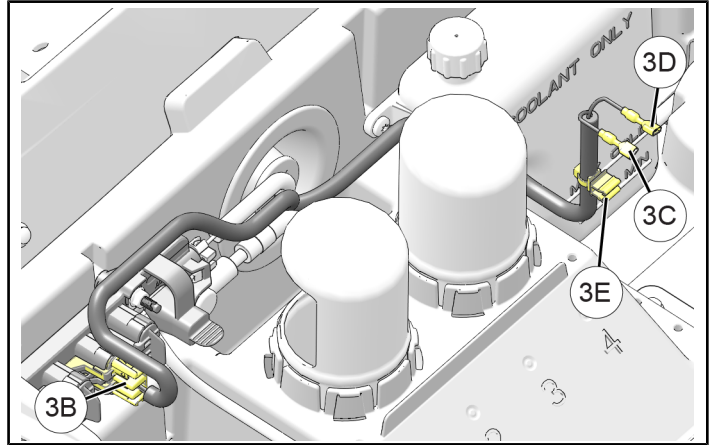
All other connectors remain on forward side of firewall.  
Grommet may be temporarily removed to facilitate harness passage.



4. Join blade connectors 3C and 3D to mating terminals on horn (1). Ensure connector 3C (brown wire) is connected to negative horn (-) terminal, and connector 3D (blue/white wire) is connected to positive (+) horn terminal.

### NOTE

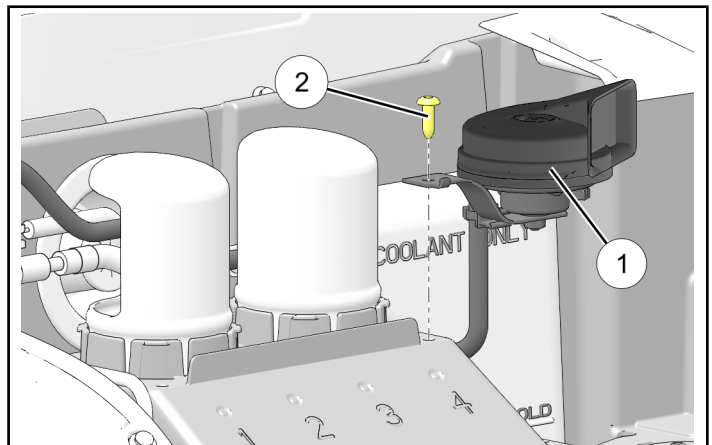
Polarity markings located on bottom of horn body.



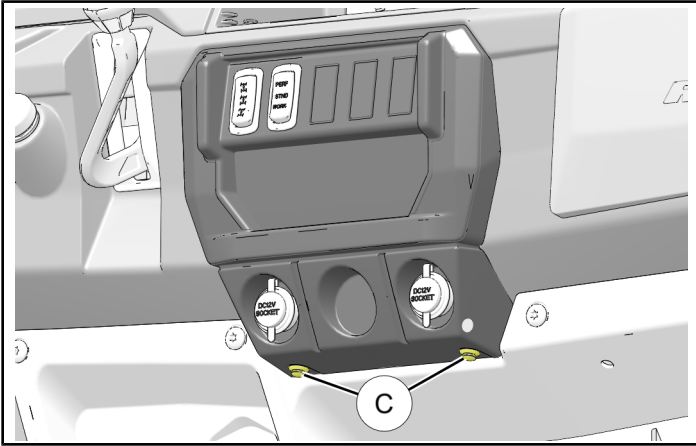
5. Secure harness (3) to horn bracket using edge clip 3E.
6. Open power cap on vehicle terminal block at any open location, then plug in connector 3B.
7. Install horn (1) to under-hood liner using screw (2). Do not over-tighten screw.

### NOTE

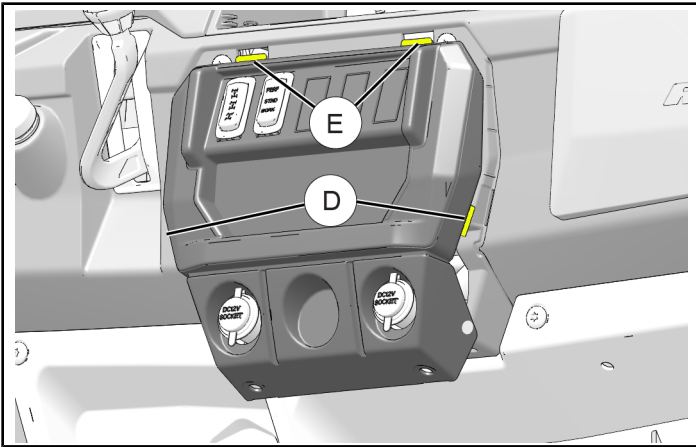
If vehicle has fuse block mounted at this location, remove existing screw, mount horn on top of fuse block mounting plate, then reinstall screw. Screw (2) is not used.



8. Install switch.
  - a. Remove two push pin rivets ③ from lower face of control panel. Retain rivets.



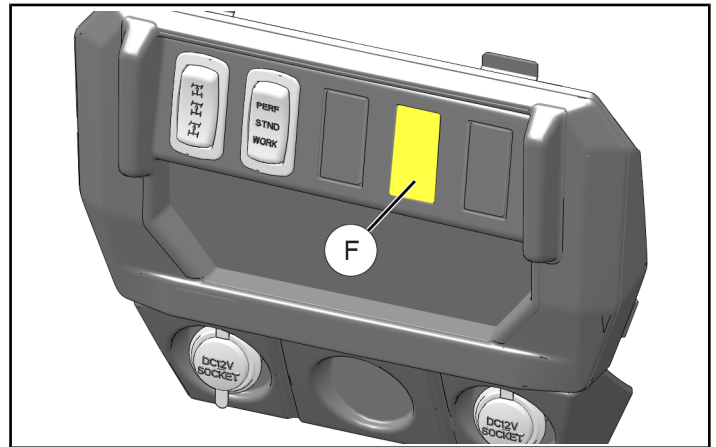
- b. Rotate bottom of control panel away from main dash panel, disengaging two side tabs ④, then drop two upper tabs ⑤ out of slots in main dash panel.



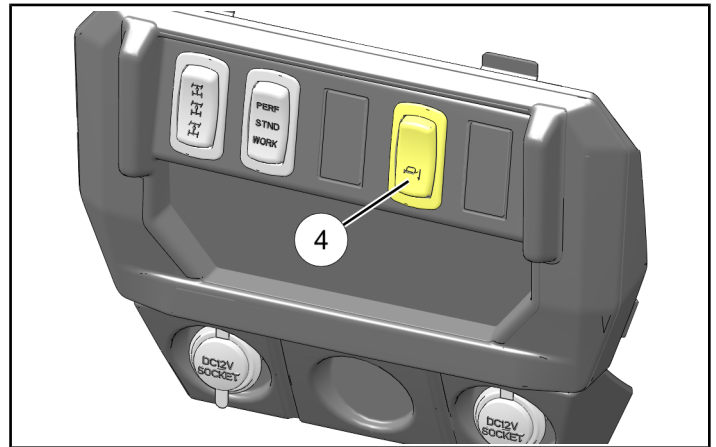
- c. Label and disconnect electrical harnesses from switches, sockets, or other devices in control panel.

- d. Carefully cut out one rectangular switch blank ⑥ from control panel.

**NOTE**  
Any open location may be used.



- e. Install switch ④ in control panel opening.



- f. Reconnect electrical harnesses disconnected in previous Step c., then reinstall control panel using two retained rivets ③.

- g. Join connector 3A to switch ④.

9. Secure harness ③ using cable tie ⑤ to prevent contact with hot components, sharp edges, or moving parts.

10. Restore access.

## FEEDBACK FORM

A feedback form has been created for the installer to provide any comments, questions or concerns about the installation instructions. The form is viewable on mobile devices by scanning the QR code or by clicking [HERE](#) if viewing on a PC.

### FEEDBACK FORM

