

BED EXTENDER KIT



P/N 2882752

APPLICATION

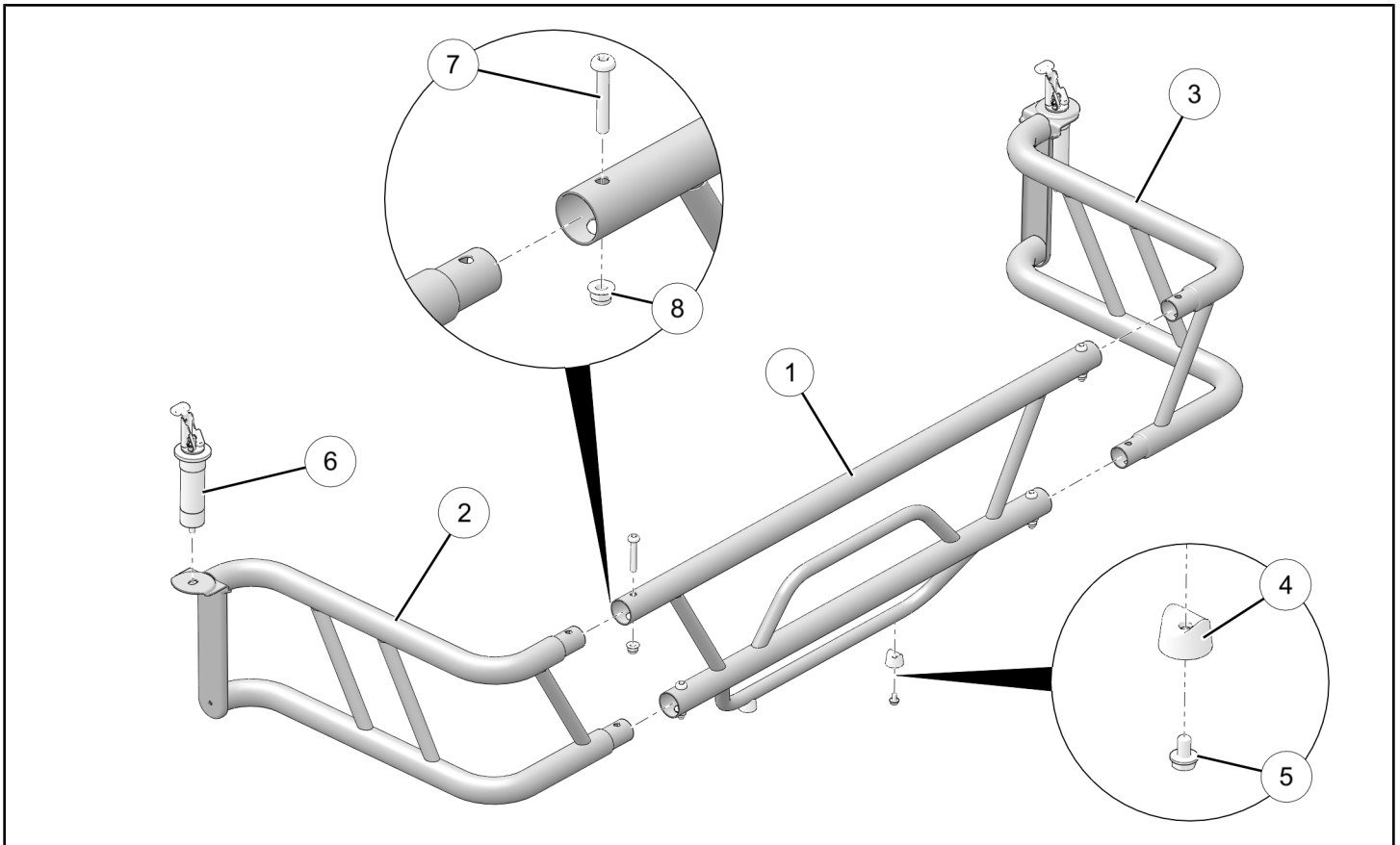
Verify accessory fitment at Polaris.com.

BEFORE YOU BEGIN

Read these instructions and check to be sure all parts and tools are accounted for. Please retain these installation instructions for future reference and parts ordering information.

KIT CONTENTS

This Kit includes:



REF	QTY	PART DESCRIPTION	PART NUMBER
1	1	Bed Extender, Center	-
2	1	Bed Extender, LH	-
3	1	Bed Extender, RH	-
4	2	Pad, Rubber	-
5	2	Screw, Hex Flange, Self-Tapping - M6 X 1.0 X 10	-
6	2	Expansion Anchor Kit, Lock & Ride®	2877877
7	4	Screw, Torx® Button Head - M8 X 1.25 X 50	-

REF	QTY	PART DESCRIPTION	PART NUMBER
8	4	Nut, Hex Flange, Locking - M8 X 1.25	-
	1	Instructions	9927918

TOOLS REQUIRED

- Safety Glasses
- Screwdriver Set, Torx®
- Socket Set, Metric
- Wrench Set, Metric

IMPORTANT

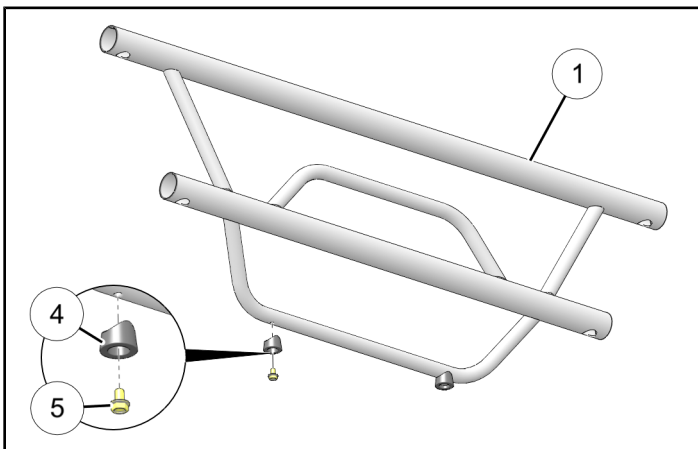
Your Bed Extender Kit is exclusively designed for your vehicle. Please read the installation instructions thoroughly before beginning. Installation is easier if the vehicle is clean and free of debris. For your safety, and to ensure a satisfactory installation, perform all installation steps correctly in the sequence shown.

ASSEMBLY TIME

Approximately 15 minutes

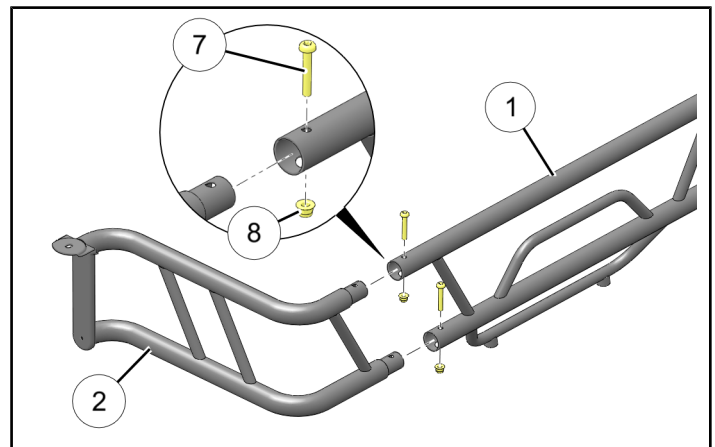
INSTALLATION INSTRUCTIONS

1. Shift vehicle transmission into "PARK". Turn key to "OFF" position and remove from vehicle.
2. Install pad ④ to center bed extender ① using screw ⑤. Repeat for opposite side.
3. Install LH bed extender ② to center bed extender ① using two each screws ⑦ and nuts ⑧. Repeat for opposite side using RH bed extender ③.

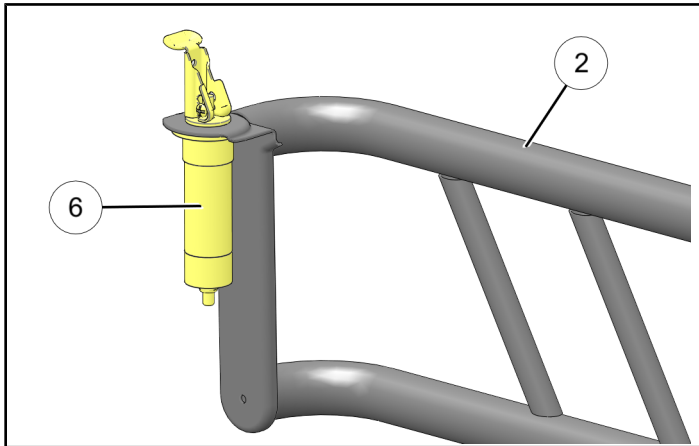


IMPORTANT

Ensure screw heads are on TOP of tube, and nuts are on BOTTOM of tube as shown.

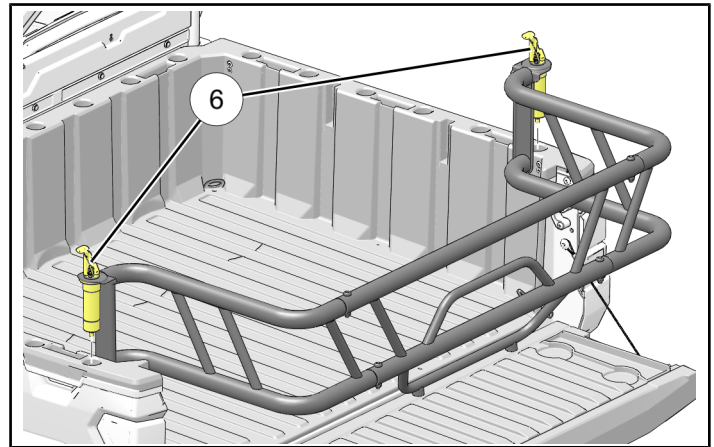


4. Install LOCK & RIDE® expansion anchor ⑥ to LH bed extender ②. Refer to instructions packaged with expansion anchor. Repeat for RH bed extender ③.



5. Ensure both expansion anchors ⑥ are unlocked, then install bed extender into bed until anchors are fully seated. Depress levers to lock in place.

If installation is loose, remove bed extender from bed, tighten nut at base of affected anchor(s), and reinstall.



NOTE

Installation in bed extender position shown. Unit can also be installed in other bed LOCK & RIDE® holes as desired.

FEEDBACK FORM

A feedback form has been created for the installer to provide any comments, questions or concerns about the installation instructions. The form is viewable on mobile devices by scanning the QR code or by clicking [HERE](#) if viewing on a PC.

FEEDBACK FORM

