

BED MAT KIT



P/N 2882751

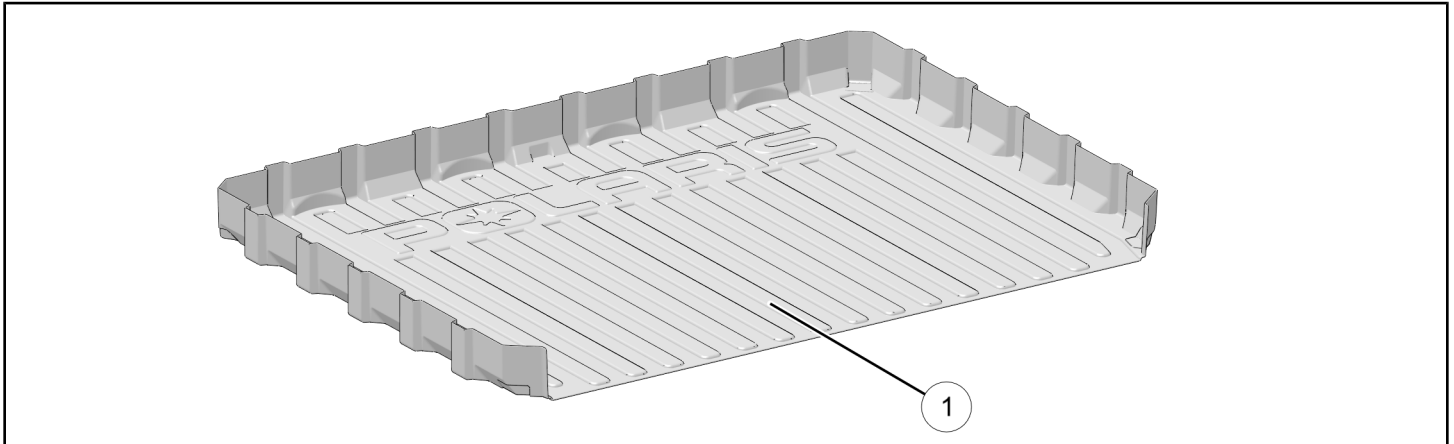
BEFORE YOU BEGIN

Read these instructions and check to be sure all parts and tools are accounted for. Please retain these installation instructions for future reference and parts ordering information.

APPLICATION

Verify accessory fitment at www.polaris.com.

KIT CONTENTS



REF	QTY	PART DESCRIPTION	PART NUMBER
1	1	Bed Mat	n/a

TOOLS REQUIRED

- Safety Glasses
- Cutting Tool*
- Drill*
- Drill Bit: 5/16 inch*
- Ice pick (or equivalent)*
- Screwdriver Set, Torx®*

* Tool requirement dependent on specific installation option.

IMPORTANT

Your Bed Mat Kit is exclusively designed for your vehicle. Please read the installation instructions thoroughly before beginning. Installation is easier if the vehicle is clean and free of debris. For your safety, and to ensure a satisfactory installation, perform all installation steps correctly in the sequence shown.

INSTALLATION INSTRUCTIONS

VEHICLE PREPARATION

GENERAL

1. Park vehicle on a flat surface.
2. Shift vehicle into PARK.

3. Turn key to OFF position and remove key.
4. Open tailgate.
5. Remove all objects, dirt, and debris from vehicle bed.

ACCESSORY INSTALLATION

NOTICE

Three options exist for installing the bed mat into the cargo box.

OPTION 1: WITHOUT TIE-DOWN BRACKETS

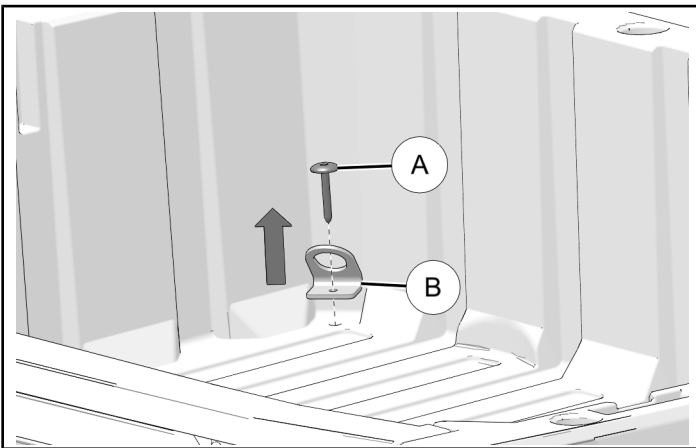
NOTICE

This option provides toolless bed mat removal/installation and maximum bed protection as no holes are made in the bed mat.

⚠ WARNING

Do not trailer vehicle with bed mat installed. Airflow, vibration, or other factors may cause mat to come out of vehicle bed and cause an accident, resulting in personal injury or death.

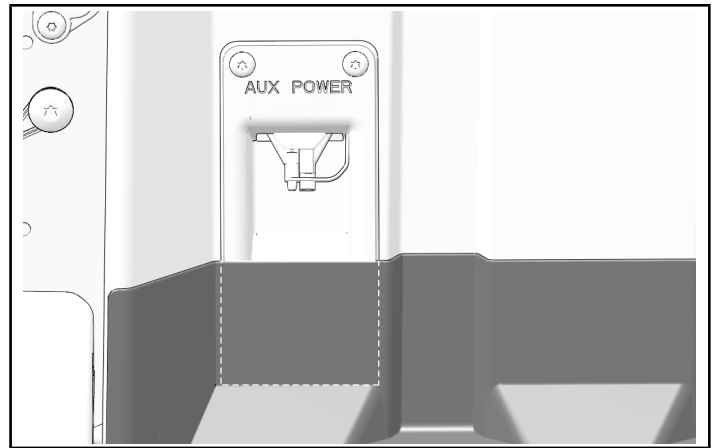
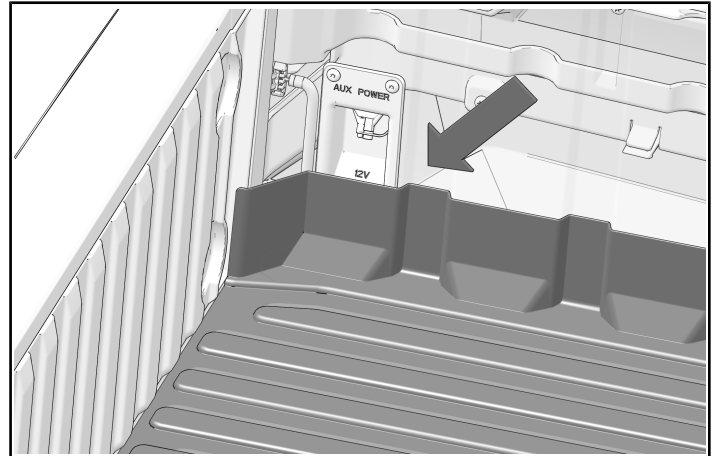
1. Remove and discard tie-down bracket **(B)** and screw **(A)** from each corner of vehicle bed. Brackets and screws will not be reused.



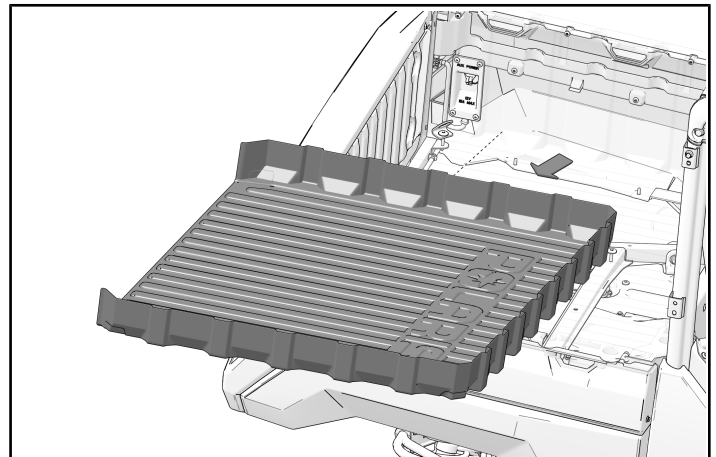
2. Install bed mat into the cargo box.

VEHICLES EQUIPPED WITH AUXILIARY POWER BOX

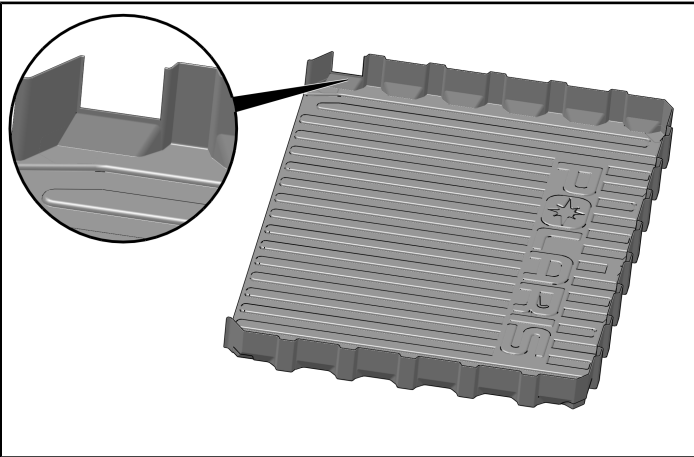
1. Mark the location on the mat for the auxiliary power cut-out.



2. Remove the mat.



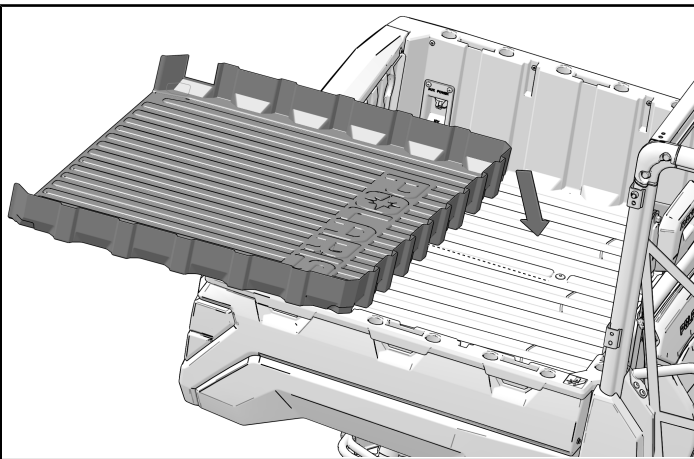
3. Cut a notch in the marked area.



4. Place the bed mat back in the cargo box.

IMPORTANT

Make sure the bed mat is fully seated at each corner.



OPTION 2: WITH TIE-DOWN BRACKETS AND CORNER CUTOUTS

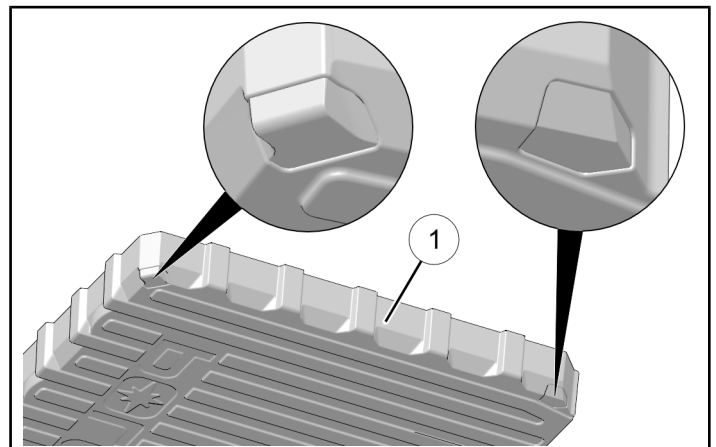
NOTICE

This option provides toolless bed mat removal/installation while still providing tie-down capability.

⚠ WARNING

Do not trailer vehicle with bed mat installed. Airflow, vibration, or other factors may cause mat to come out of vehicle bed and cause an accident, resulting in personal injury or death.

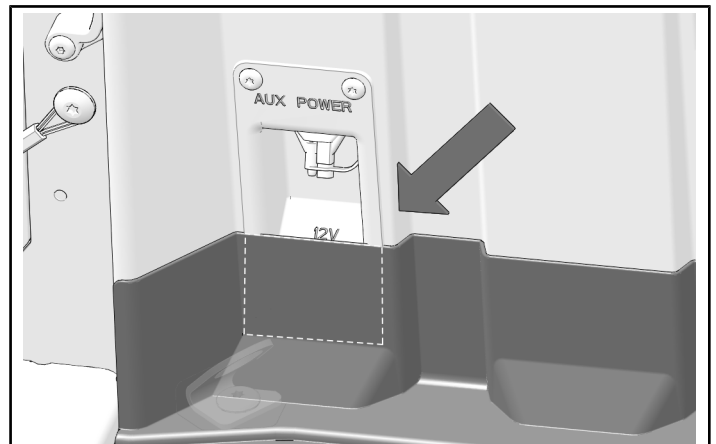
1. Turn mat ① upside down and cut out recessed area from each corner.



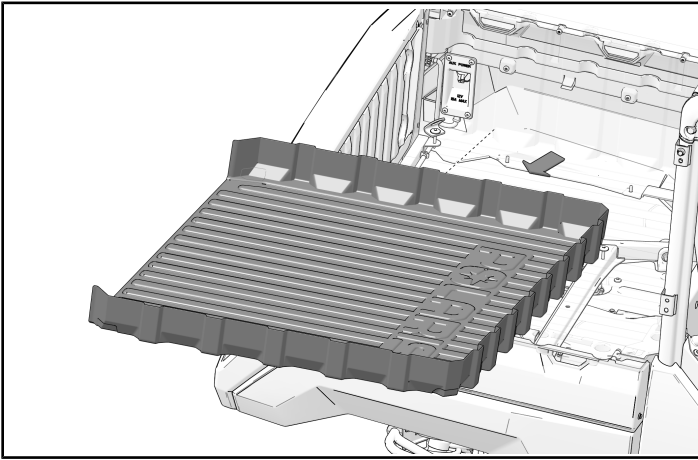
2. Place mat ① into cargo bed. Make sure the mat is fully seated at each corner. If difficulty is encountered with mat installation, remove mat, trim corner opening(s) as required, then reinstall.

VEHICLES EQUIPPED WITH AUXILIARY POWER BOX

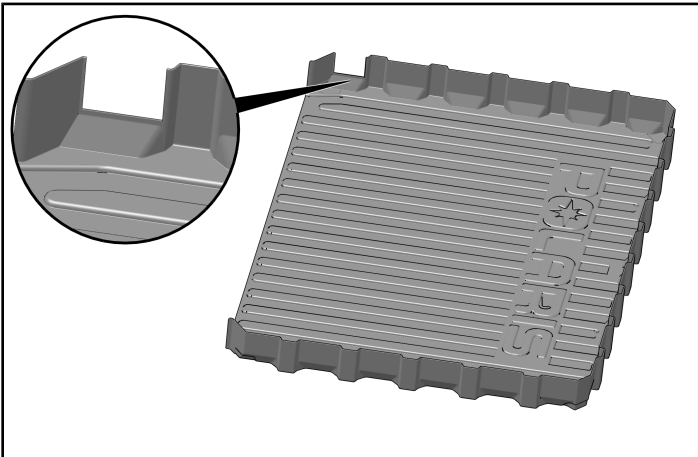
1. Mark the location on the mat for the auxiliary power cut-out.



2. Remove the mat.



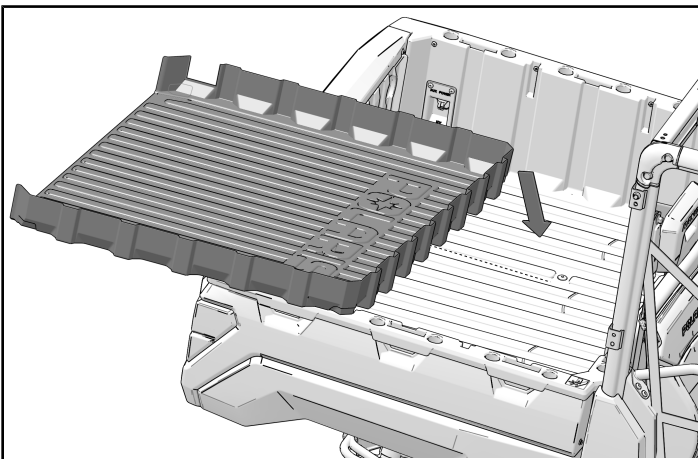
3. Cut a notch in the marked area.



4. Place the bed mat back into the cargo box.

IMPORTANT

Make sure the bed mat is fully seated at each corner.

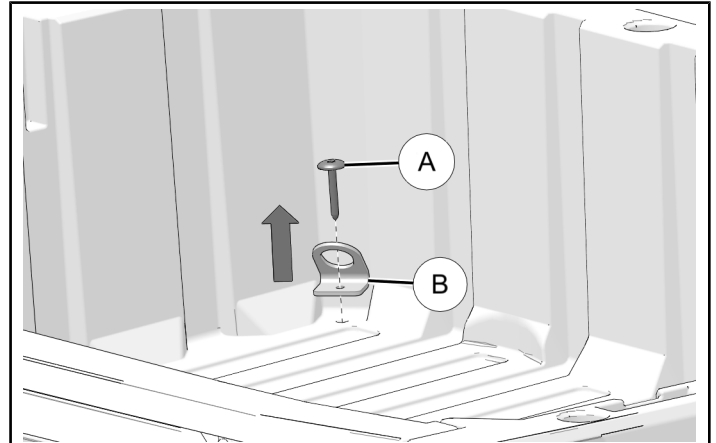


**OPTION 3: WITH TIE-DOWN BRACKETS,
WITHOUT CORNER CUTOUTS**

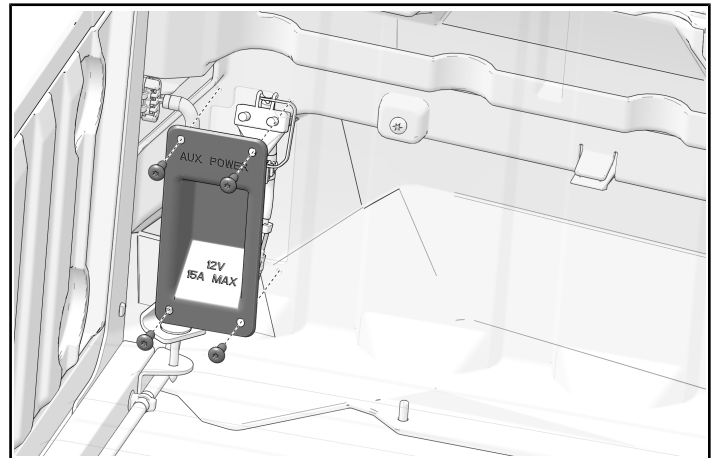
NOTICE

This option provides secure bed mat installation and tie-down capability.

1. Remove and keep tie-down bracket screw (A) and tie-down bracket (B) from each corner of vehicle bed.

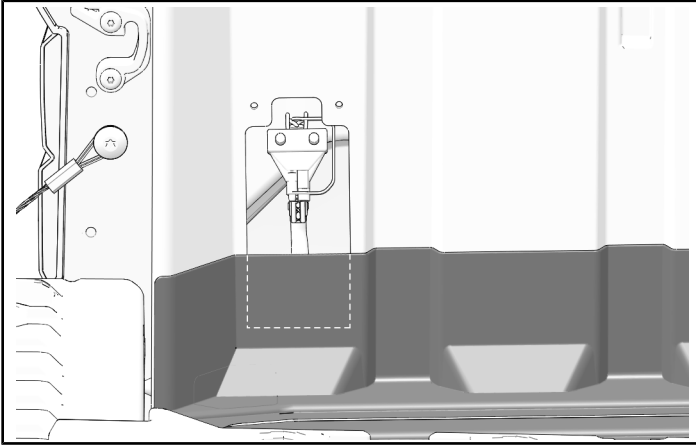


2. If equipped, remove and keep four screws and the AUX box cover.



3. Place mat into cargo bed. Make sure mat is fully seated at each corner.

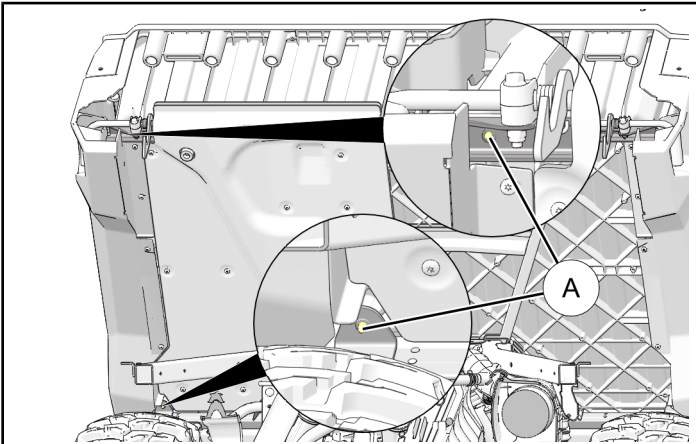
- If equipped with auxiliary power box, mark the location on the mat for the auxiliary power cut-out.



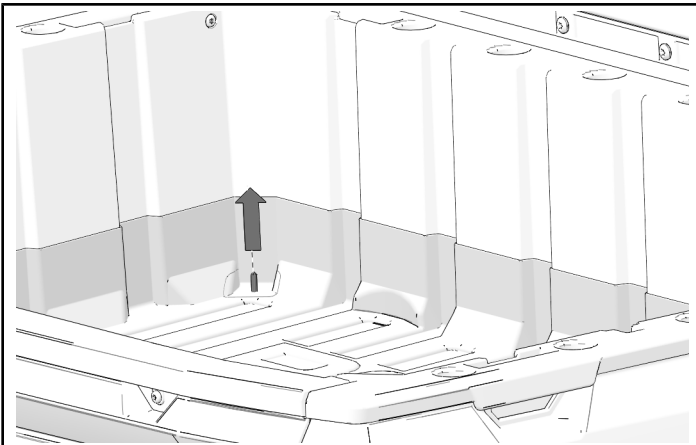
- Lift cargo box up.
- Note locations on **UNDERSIDE** of bed where four tie-down bracket screws **(A)** attach to support structure.

NOTICE

Driver-side front and rear screws shown; passenger-side is similar.



- Insert ice pick (or equivalent) up through each support structure screw hole to mark hole location on mat.

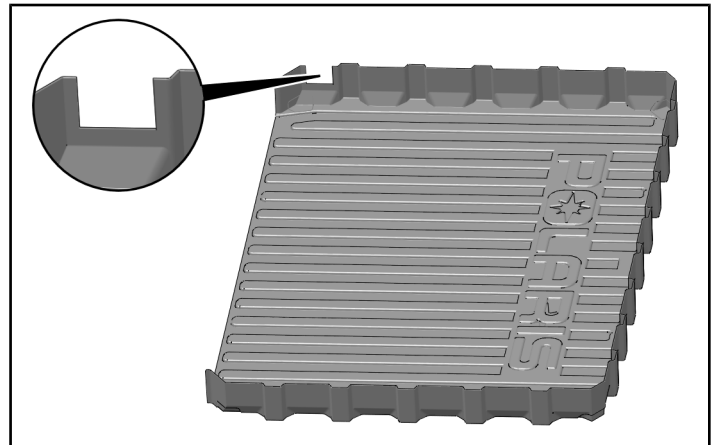


- Lower cargo box.
- Remove the mat.
- Drill 5/16 inch hole at each marked location for the bracket screws.

MEASUREMENT

Drill Bit Size:
5/16 in

- If equipped with auxiliary power box, cut a notch in the marked area for the auxiliary power cut-out.

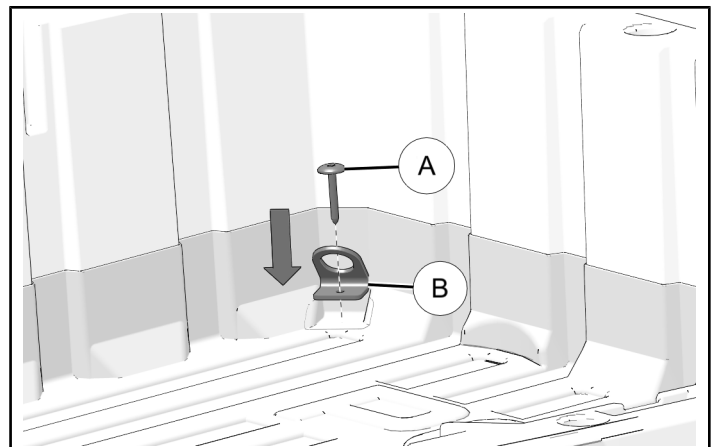


- Place the bed mat back into the cargo box.

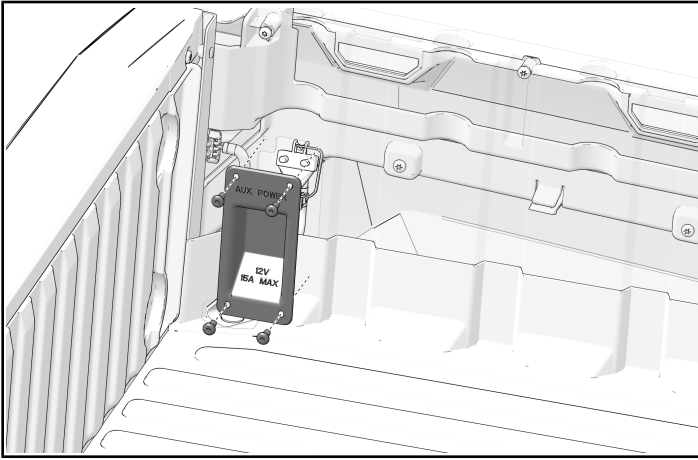
IMPORTANT

Make sure the bed mat is fully seated at each corner.

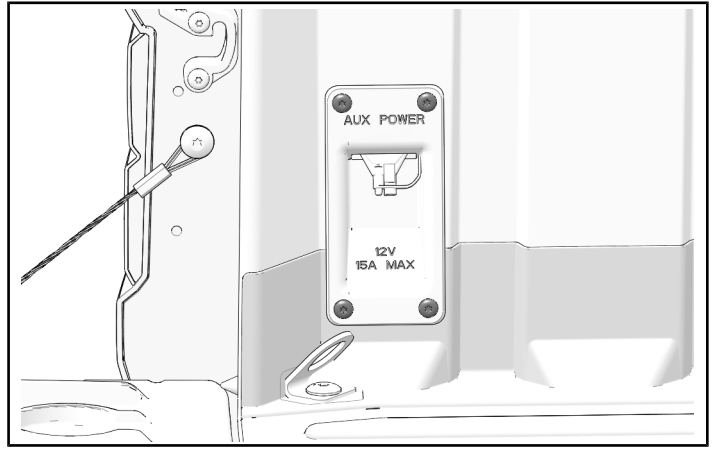
- Loosely install retained tie-down bracket **(B)** with retained screw **(A)** at each corner.



14. If equipped, loosely install the AUX box cover with four retained screws over the bed mat.

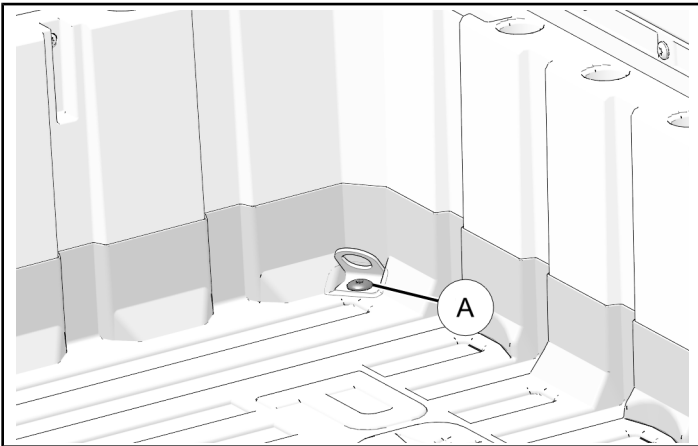


17. If equipped, tighten four AUX box cover screws until fully seated.



15. Make sure bed mat is fully seated in cargo box and adjust as needed.

16. Tighten each bracket screw (A) until fully seated.



FEEDBACK FORM

A feedback form has been created for the installer to provide any comments, questions or concerns about the installation instructions. The form is viewable on mobile devices by scanning the QR code or by clicking [HERE](#) if viewing on a PC.

