

BED MAT KIT



P/N 2882751

APPLICATION

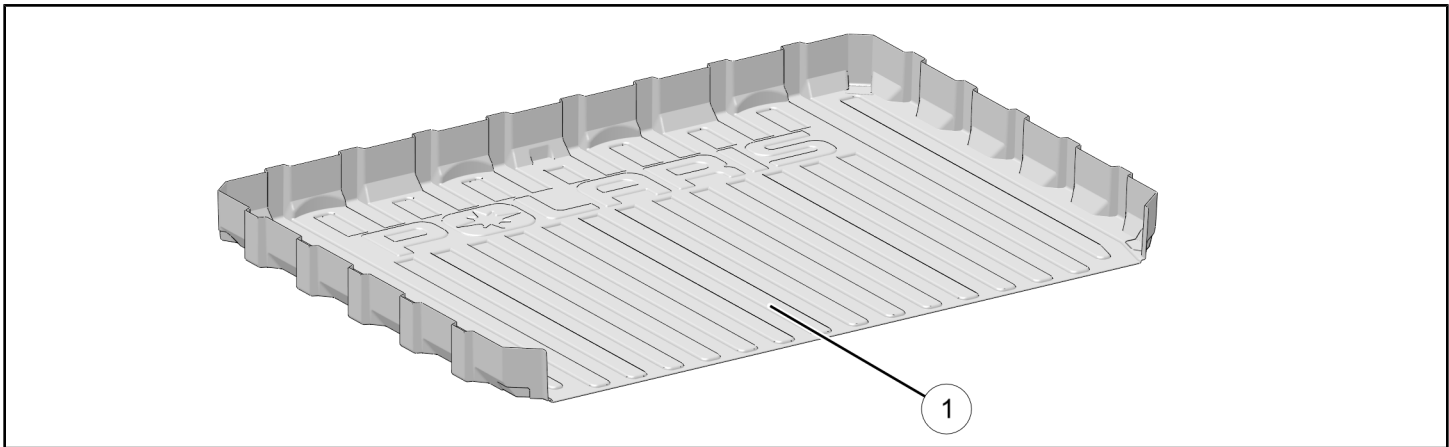
Verify accessory fitment at Polaris.com.

BEFORE YOU BEGIN

Read these instructions and check to be sure all parts and tools are accounted for. Please retain these installation instructions for future reference and parts ordering information.

KIT CONTENTS

This Kit includes:



REF	QTY	PART DESCRIPTION	PART NUMBER
1	1	Bed Mat	-
	1	Instructions	9927917

TOOLS REQUIRED

- Safety Glasses
- Cutting Tool*
- Drill*
- Drill Bit: 5/16 inch*
- Ice pick (or equivalent)*
- Screwdriver Set, Torx®*

* Tool requirement dependent on specific installation option.

IMPORTANT

Your Bed Mat Kit is exclusively designed for your vehicle. Please read the installation instructions thoroughly before beginning. Installation is easier if the vehicle is clean and free of debris. For your safety, and to ensure a satisfactory installation, perform all installation steps correctly in the sequence shown.

ASSEMBLY TIME

Approximately 5–20 minutes, depending on installation option

INSTALLATION INSTRUCTIONS

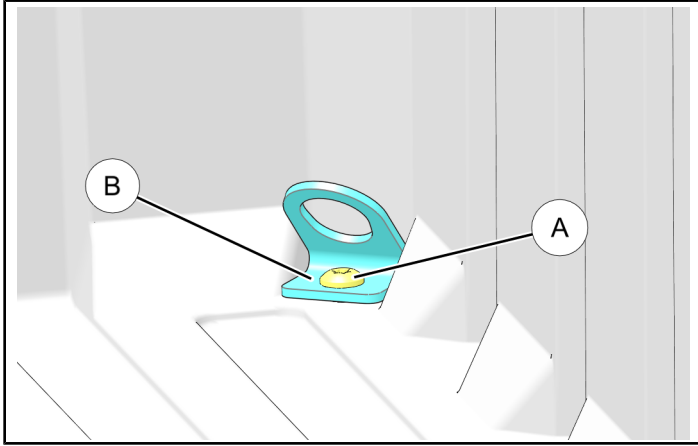
1. Shift vehicle transmission into “PARK”. Turn key to “OFF” position and remove from vehicle.
2. Remove all objects, dirt, and debris from vehicle bed.

3. Three options exist for installation:

WITHOUT Tie-Down Brackets

This option provides maximum bed protection as no holes are made in bed mat.

- a. Remove tie-down bracket **(B)** from each corner of vehicle bed by removing screw **(A)**. Brackets and screws will not be reused.



- b. Place liner into bed, ensuring liner is fully seated at each corner.

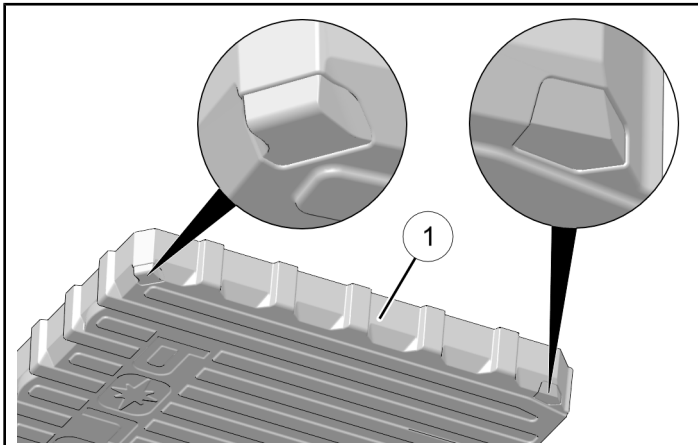
⚠ WARNING

Do not trailer vehicle with bed mat installed. Airflow, vibration, or other factors may cause mat to come out of vehicle bed and cause an accident, resulting in personal injury or death.

WITH Tie-Down Brackets and Corner Cutouts

This option provides toolless bed mat removal/ installation while still providing tie-down capability.

- a. Turn mat **(1)** upside down, then cut out recessed area from each corner.



- b. Place mat **(1)** into bed, ensuring mat is fully seated at each corner. If difficulty is encountered with mat installation, remove mat, trim corner opening(s) as required, then reinstall.

⚠ WARNING

Do not trailer vehicle with bed mat installed. Airflow, vibration, or other factors may cause mat to come out of vehicle bed and cause an accident, resulting in personal injury or death.

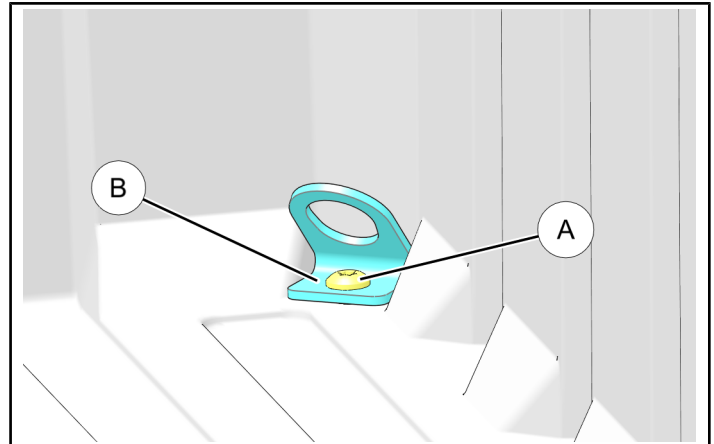
WITH Tie-Down Brackets, WITHOUT Corner Cutouts

This option provides secure bed mat installation and tie-down capability.

- a. Note locations on UNDERSIDE of bed where four tie-down bracket screws **(A)** attach to support structure.

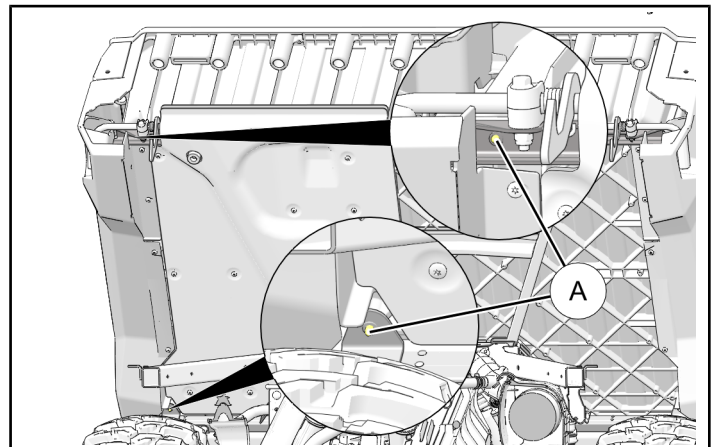
TIP

Open bed for easier access to front screws.



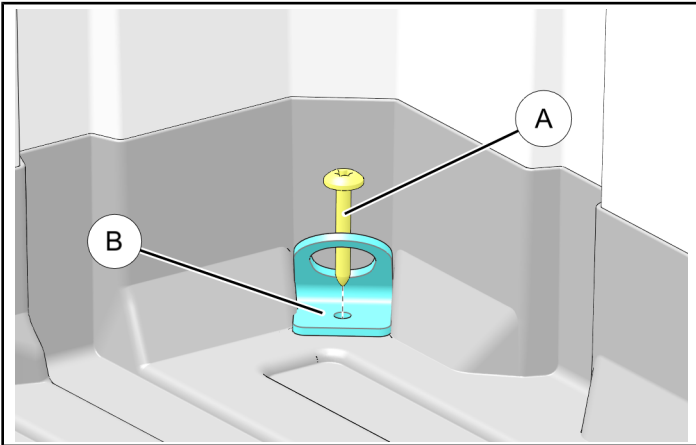
NOTE

RH front and rear screws shown; LH side opposite.



- b. Temporarily remove tie-down bracket **(B)** from each corner of vehicle bed by removing screw **(A)**. Retain brackets and screws.
- c. Place mat **(1)** into bed, ensuring mat is fully seated at each corner.

- d. Insert ice pick (or equivalent) up through each support structure screw hole to mark hole location on mat ①.
- e. Remove mat ① from bed and drill 5/16 inch hole at each marked location.
- f. Reinstall mat ① into bed, ensuring mat is fully seated at each corner and fastener holes are aligned.
- g. Loosely install tie-down bracket ② at each corner using retained screw ③, then tighten all four screws.



FEEDBACK FORM

A feedback form has been created for the installer to provide any comments, questions or concerns about the installation instructions. The form is viewable on mobile devices by scanning the QR code or by clicking [HERE](#) if viewing on a PC.

