

# PREMIUM FRONT RACK EXTENDER KIT



**P/N 2882024**

## APPLICATION

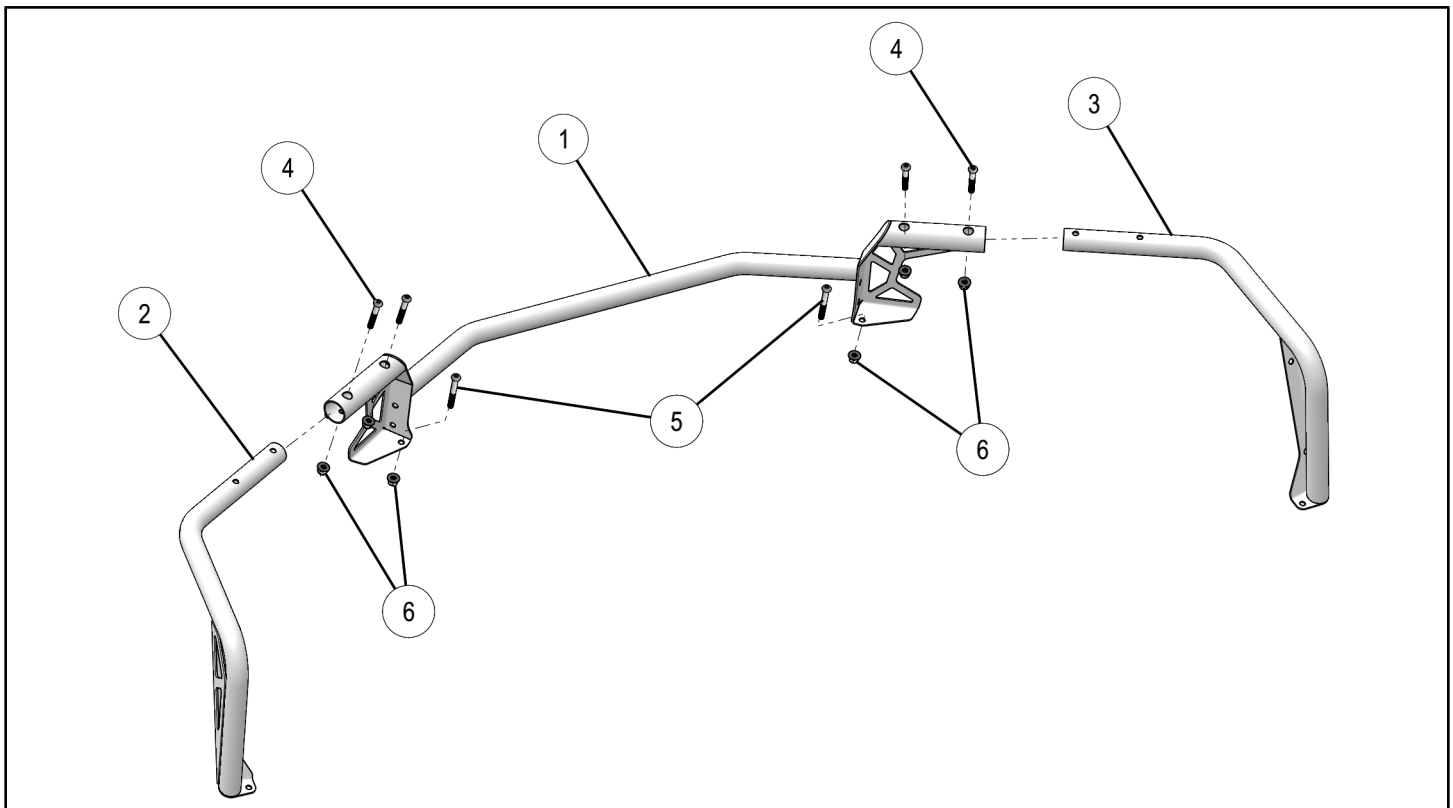
Verify accessory fitment at [Polaris.com](http://Polaris.com).

## BEFORE YOU BEGIN

Read these instructions and check to be sure all parts and tools are accounted for. Please retain these installation instructions for future reference and parts ordering information.

## KIT CONTENTS

This Kit includes:



REF	QTY	PART DESCRIPTION	PART NUMBER
1	1	Center Front Rack Extender, Welded	-
2	1	Left Front Rack Extender, Welded	-
3	1	Right Front Rack Extender, Welded	-
4	4	Screw, Torx® - M6 X 1.0 X 40	-
5	2	Cap Screw, Button Head - M6 X 50	-
6	6	Lock Nut - M6, Flange	-
	1	Instructions	9927749

## TOOLS REQUIRED

- Safety Glasses
- Metric Socket Set
- Metric Wrench Set

- Allen Wrenches
- Torx Drivers
- Electric Drill and 1/4" or 6mm Drill Bit

## IMPORTANT

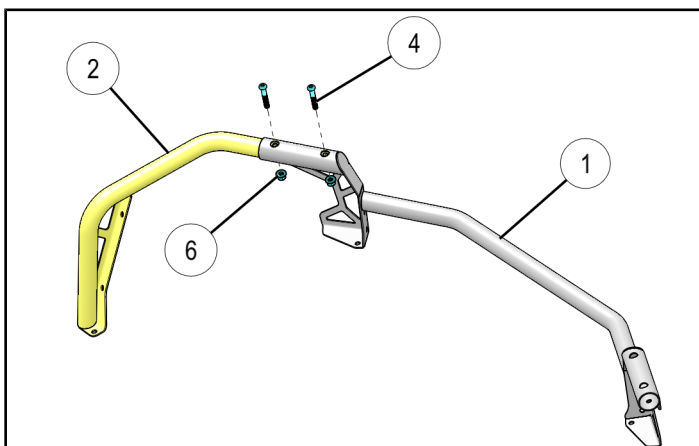
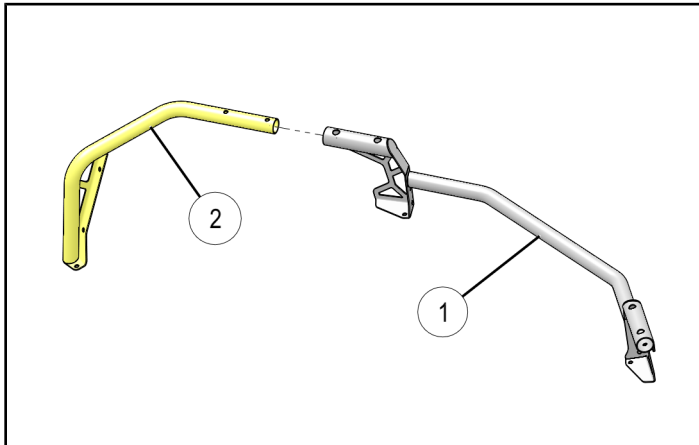
Your PREMIUM FRONT RACK EXTENDER KIT is exclusively designed for your vehicle. Please read the installation instructions thoroughly before beginning. Installation is easier if the vehicle is clean and free of debris. For your safety, and to ensure a satisfactory installation, perform all installation steps correctly in the sequence shown.

## ASSEMBLY TIME

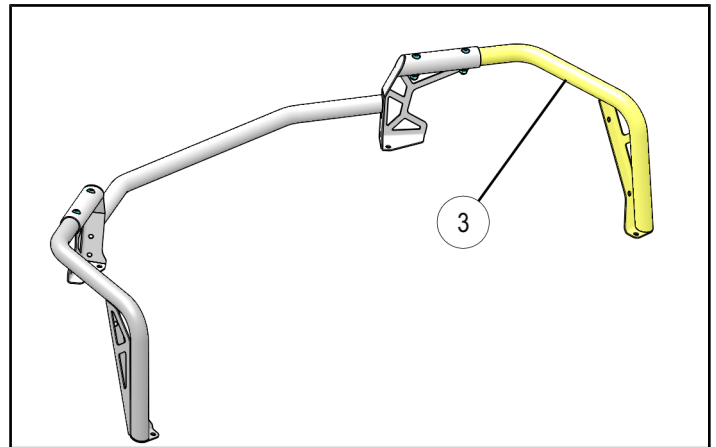
Approximately 15 minutes

## INSTALLATION INSTRUCTIONS

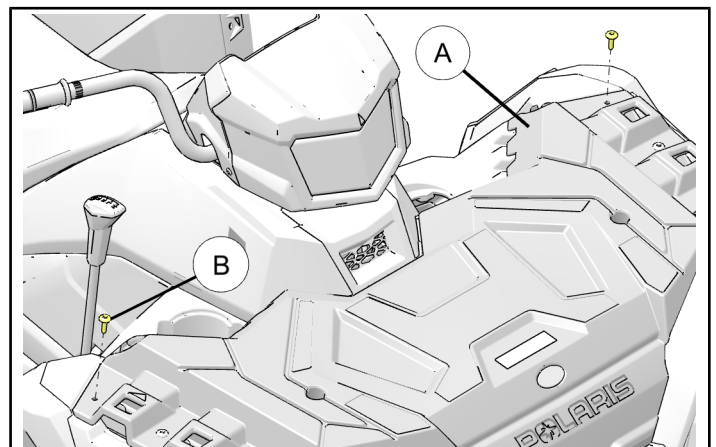
1. Shift vehicle transmission into "PARK". Turn key to "OFF" position and remove from vehicle.
2. Insert LH rack extender ② into center rack extender ①. Align the fastener mounting holes of both extenders and install the screws ④ and nuts ⑥. Do not tighten fasteners.



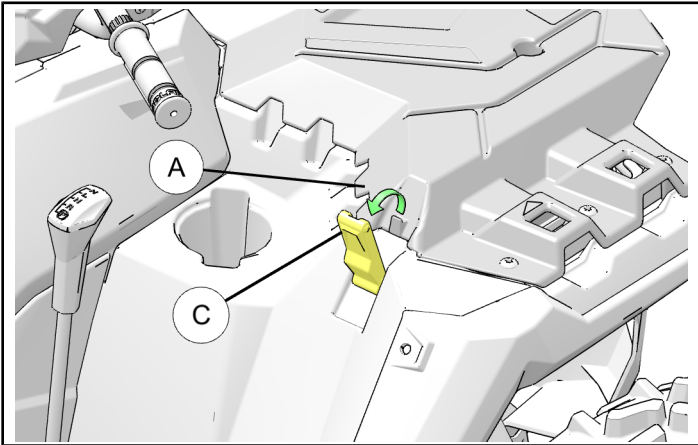
3. Repeat Step 2 for RH rack extender ③ installation.



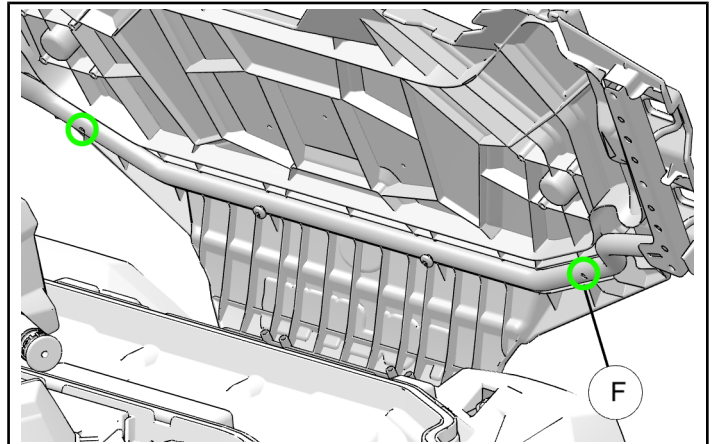
4. Remove two screws (B) from the front rack (A). Retain screws (B) for reuse.



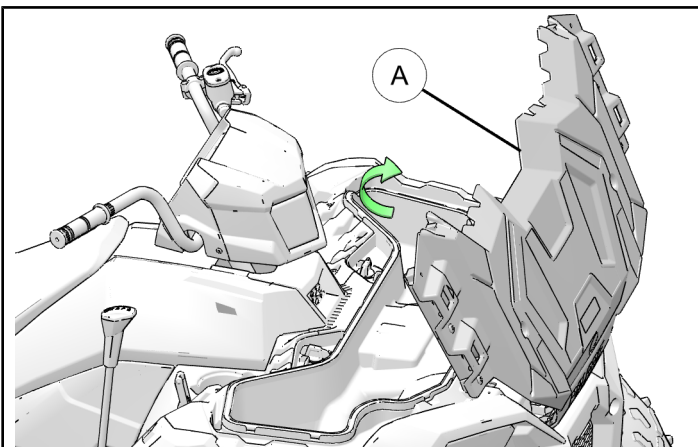
5. Detach the rubber latch (C) on both sides to open the front rack (A).



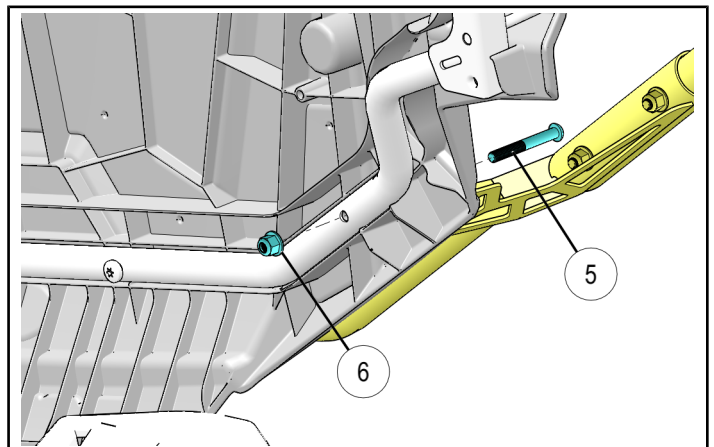
8. Using existing holes as a guide, drill through rack in locations (F) using drill bit. Ensure that the holes pass through the front rack (A).



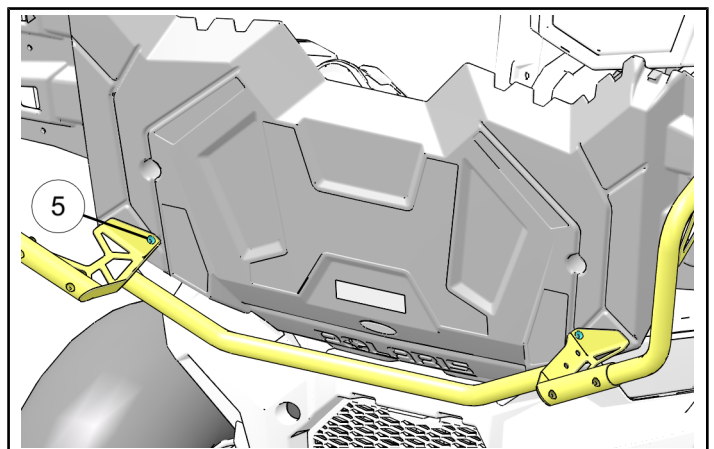
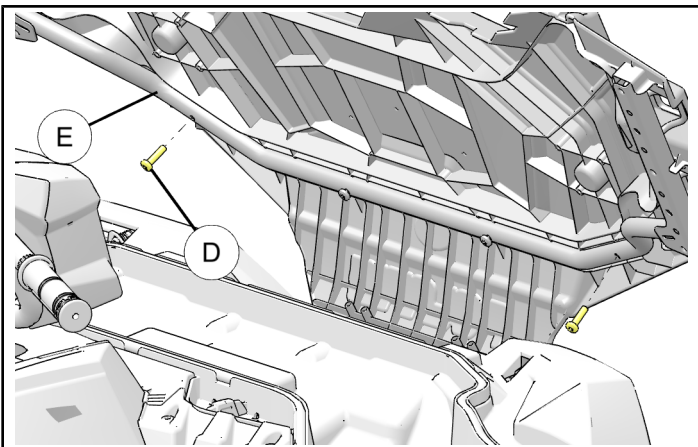
6. Open the front rack (A) as shown.



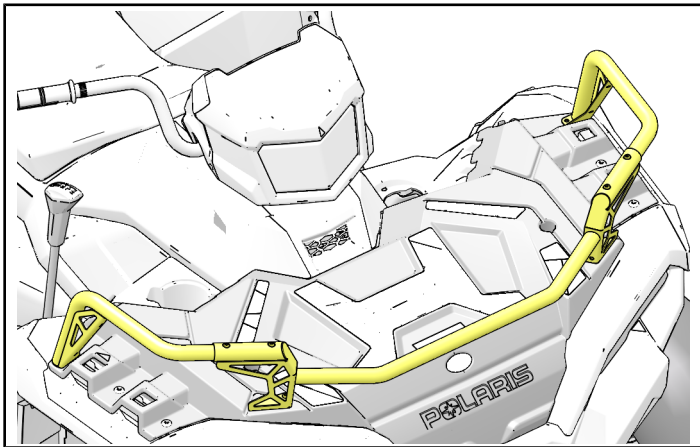
9. Place front rack extender assembly on front rack and install two screws (5) and nuts (6). Do not tighten fasteners.



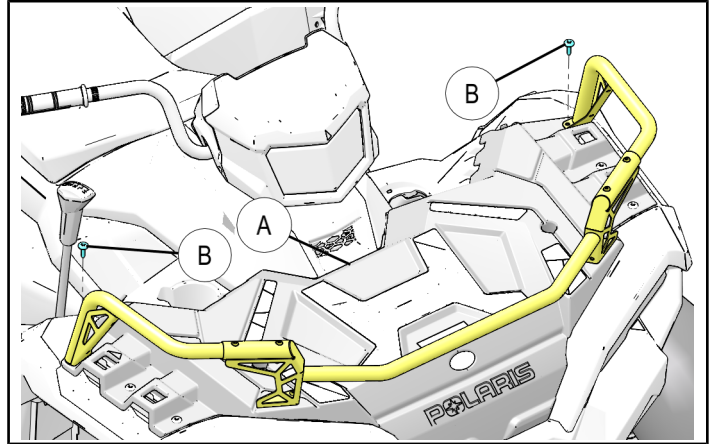
7. Remove two screws (D) from front base tube (E). Discard both the screws.



10. Close the front rack (A) along with rack extender assembly.



11. Reinstall two screws (B) removed in Step 4 on front rack (A) through the rack extender assembly as shown.



12. Tighten all fasteners to below specification. Secure front rack using rubber latches (C).

### TORQUE

6 ft. lbs. (8.1 Nm)

## FEEDBACK FORM

A feedback form has been created for the installer to provide any comments, questions or concerns about the installation instructions. The form is viewable on mobile devices by scanning the QR code or by clicking [HERE](#) if viewing on a PC.

### FEEDBACK FORM

