

# FOUR-POINT HARNESS KIT



**P/N 2882281, 2882282**

## APPLICATION

Verify accessory fitment at [Polaris.com](http://Polaris.com).

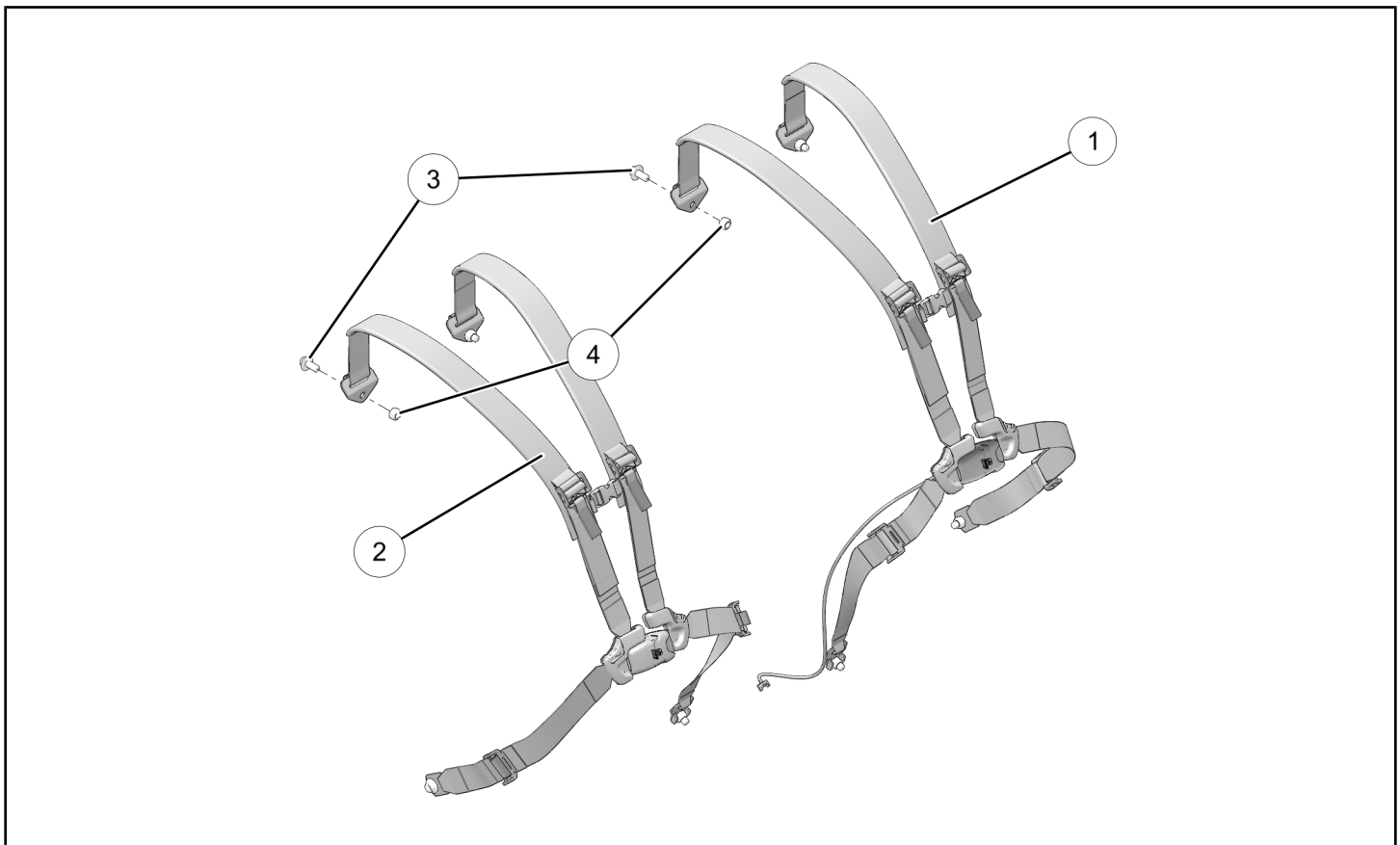
## BEFORE YOU BEGIN

Read these instructions and check to be sure all parts and tools are accounted for. Please retain these installation instructions for future reference and parts ordering information.

## KIT CONTENTS

Kits 2882281 and 2882282 shown; each sold separately.

This Kit includes:



REF	QTY	PART DESCRIPTION	PART NUMBER
1	1	Harness, Four-Point, Driver (Kit PN 2882281 only)	2636394
2	1	Harness, Four-Point, Passenger (Kit PN 2882282 only)	2636395
3	4	Bolt, Hex Flange - M12 X 1.75 X 25	7519072
4	4	Nut, Hex - M12 X 1.75	7540000
5	1	Boot (not shown)	-
	1	Instructions	9927727

## TOOLS REQUIRED

- Safety Glasses
- Socket Set, Metric
- Torque Wrench
- Wrench Set, Metric

## IMPORTANT

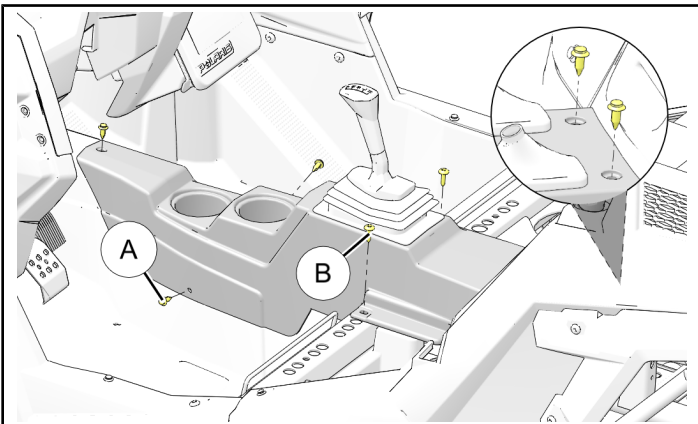
Your Four-Point Harness Kit is exclusively designed for your vehicle. Please read the installation instructions thoroughly before beginning. Installation is easier if the vehicle is clean and free of debris. For your safety, and to ensure a satisfactory installation, perform all installation steps correctly in the sequence shown.

## ASSEMBLY TIME

Approximately 25 minutes

## INSTALLATION INSTRUCTIONS

1. Shift vehicle transmission into "PARK". Turn key to "OFF" position and remove from vehicle.
2. Gain access.
  - a. Remove seat(s) as applicable.
  - b. Remove five plastic push pins (A) and two screws (B) as shown. Remove center console, pushing boots for gear shift and seat belt through console openings. Retain push pins and screws.

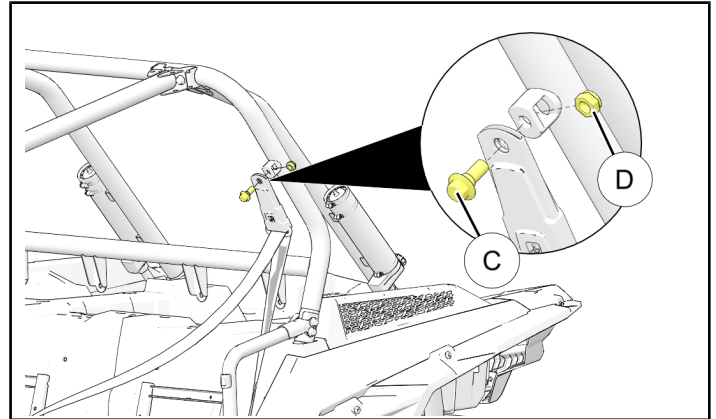


3. Remove existing seat belt(s).

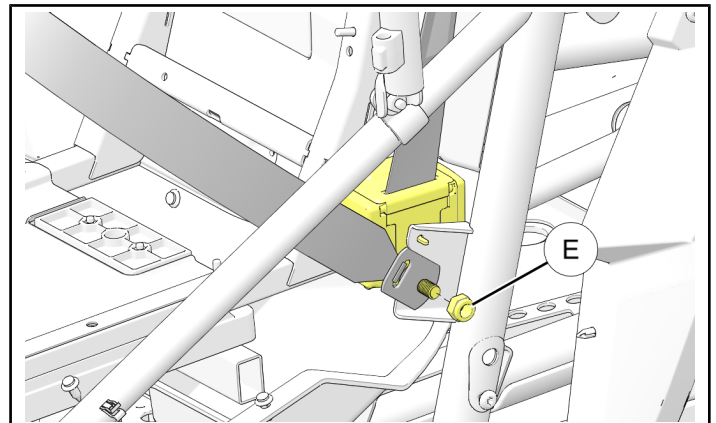
### NOTE

LH shown; RH similar.

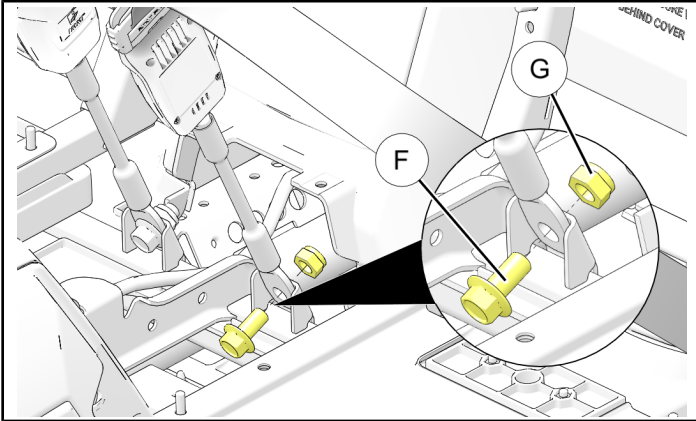
- a. Remove bolt (C) and nut (D) from upper seat belt mount bracket as shown. Bolt and nut will not be reused.



- b. Remove nut (E) from retractor unit as shown, then remove retractor and lap belt clip. Nut will not be reused.



- c. Remove bolt (F) and nut (G) from inboard seat belt mount bracket, then remove belt. Bolt and nut will not be reused.



- d. Disconnect safety interlock harness from vehicle harness (driver side only).
- e. Remove rubber boot from inboard seat belt. Boot will not be reused.

4. Install four-point harness(es).

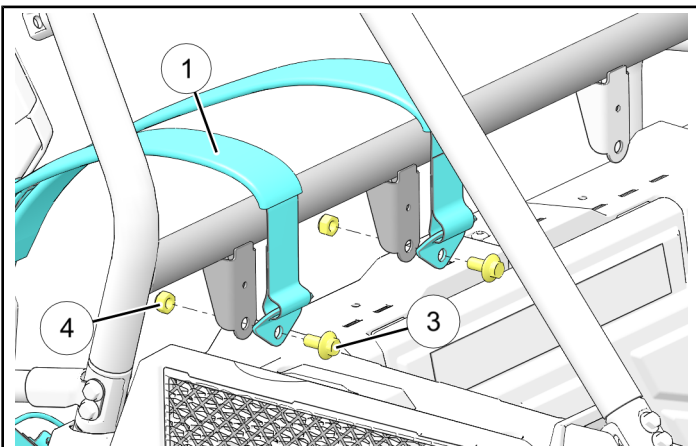
**NOTE**

Driver side shown; passenger side opposite.

- a. Install two upper harness clips to ROPs cross-member using two each bolts (3) and nuts (4). Torque nuts to specification.

**TORQUE**

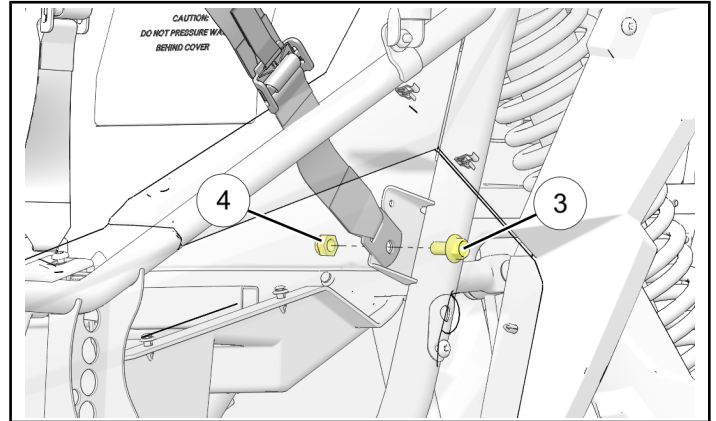
40 ft. lbs. (54 Nm)



- b. Install rear outboard harness clip to vehicle mount bracket using bolt (3) and nut (4). Ensure proper orientation: harness clip is on OUTBOARD side of mount bracket. Torque to specification.

**TORQUE**

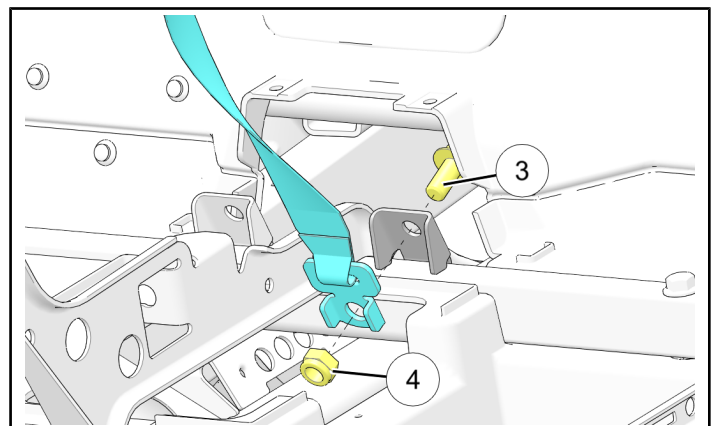
40 ft. lbs. (54 Nm)



- c. Route rear inboard harness clip (and driver safety interlock harness, if applicable) through new boot (5) and center console cutout, then install clip to vehicle mount bracket using bolt (3) and nut (4). Ensure proper orientation: harness clip is on FRONT side of mount bracket. Torque to specification.

**TORQUE**

40 ft. lbs. (54 Nm)



- d. Kit PN 2882281 only: Connect driver safety interlock harness to vehicle harness.

5. Restore access.

## FEEDBACK FORM

A feedback form has been created for the installer to provide any comments, questions or concerns about the installation instructions. The form is viewable on mobile devices by scanning the QR code or by clicking [HERE](#) if viewing on a PC.

