

BED SIDEWALL KIT



P/N 2882177

APPLICATION

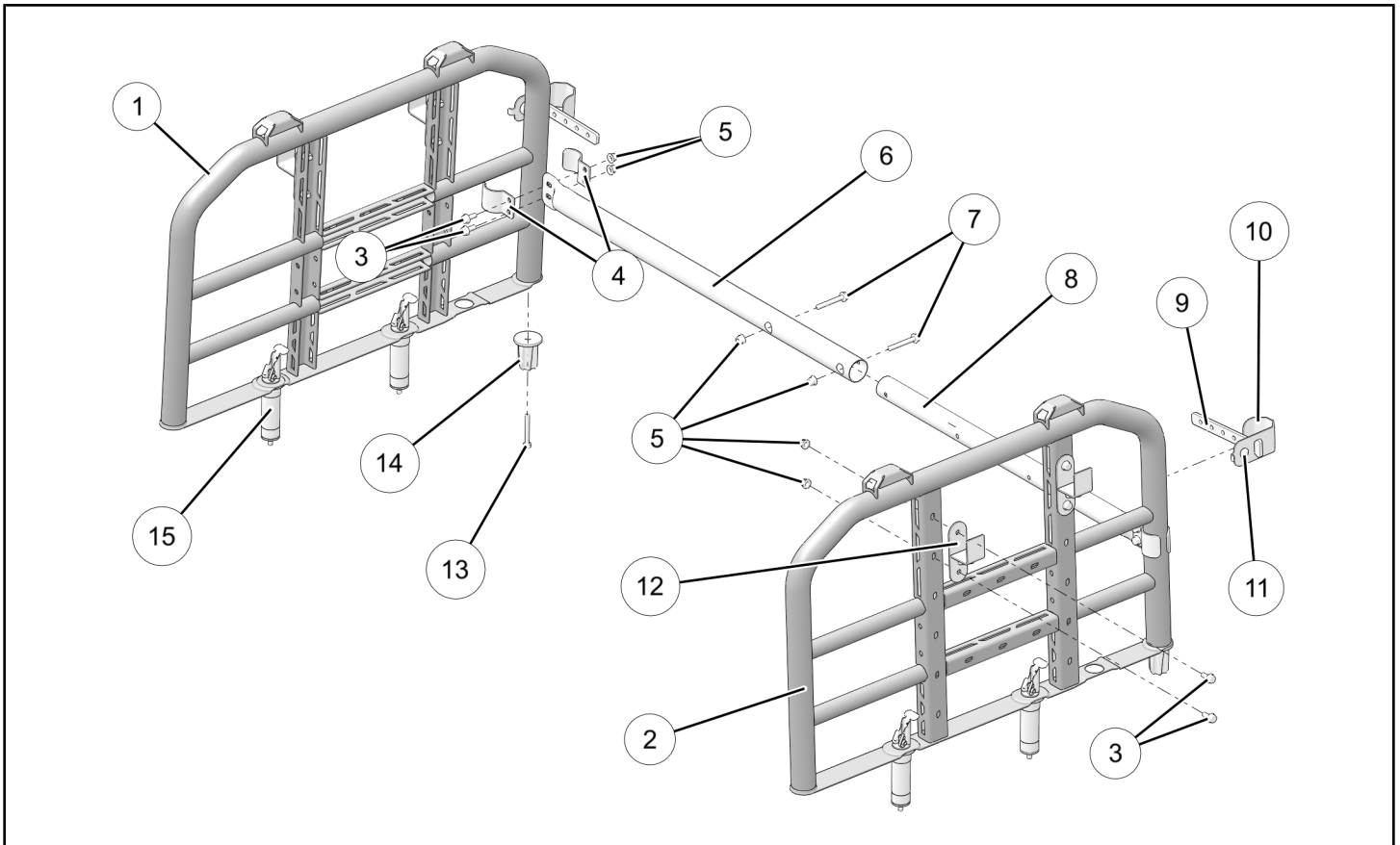
Verify accessory fitment at Polaris.com.

BEFORE YOU BEGIN

Read these instructions and check to be sure all parts and tools are accounted for. Please retain these installation instructions for future reference and parts ordering information.

KIT CONTENTS

This Kit includes:



REF	QTY	PART DESCRIPTION	PART NUMBER	INCLUDED IN HARDWARE KIT
1	1	Sidewall, LH	1023096	-
2	1	Sidewall, RH	1023097	-
3	12	Screw, Hex Flange - M8 X 1.25 X 20	-	2206624 (4 screws)
4	4	Clamp	-	-
5	14	Nut, Hex Flange - M8 X 1.25	-	2206624 (4 nuts)
6	1	Tube, Outer	2636568	-
7	2	Screw, Hex Flange - M8 X 1.25 X 60	-	-

REF	QTY	PART DESCRIPTION	PART NUMBER	INCLUDED IN HARDWARE KIT
8	1	Tube, Inner	2636568	-
9	2	Strap	-	2206624
10	2	Bracket	-	-
11	2	Bumper, Rubber	-	-
12	4	Hanger	-	2206624 (2 hangers)
13	2	Screw, Hex Head	-	2206624 (1 screw)
14	2	Pilot	-	2206624 (1 pilot)
15	4	Expansion Anchor Kit, Lock & Ride®	2875250	-
	1	Instructions	9927354	-

TOOLS REQUIRED

- Safety Glasses
- Screwdriver, Phillips
- Socket Set, Metric
- Wrench Set, Metric
- Wrench Set, SAE

IMPORTANT

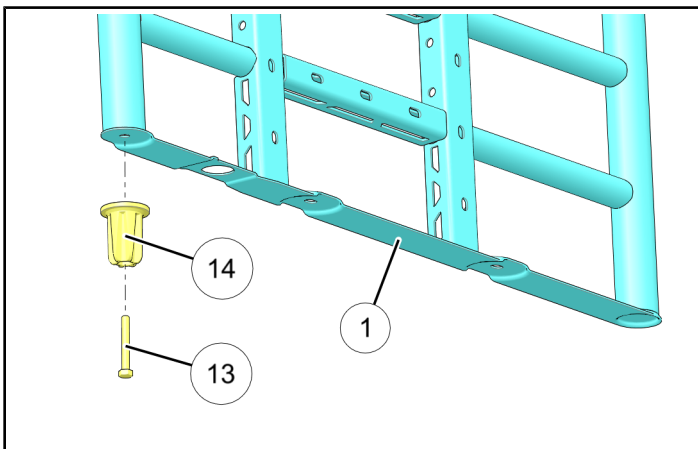
Your Bed Sidewall Kit is exclusively designed for your vehicle. Please read the installation instructions thoroughly before beginning. Installation is easier if the vehicle is clean and free of debris. For your safety, and to ensure a satisfactory installation, perform all installation steps correctly in the sequence shown.

ASSEMBLY TIME

Approximately 30 minutes

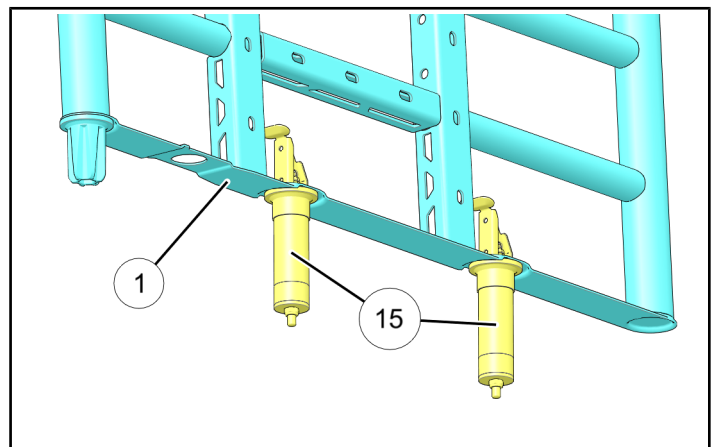
INSTALLATION INSTRUCTIONS

1. Shift vehicle transmission into "PARK". Turn key to "OFF" position and remove from vehicle.
2. Install pilot ⑭ to LH sidewall ① using screw ⑬. Repeat for RH sidewall ②.
3. Install two LOCK & RIDE® expansion anchors ⑮ to LH sidewall ① as shown. Repeat for RH sidewall ②.



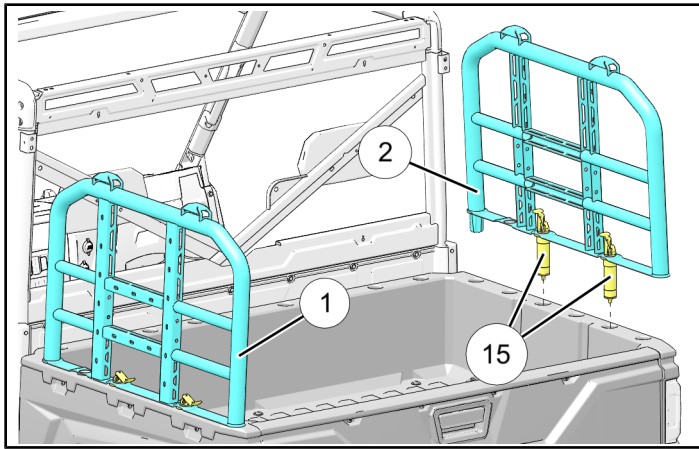
NOTE

Refer to instructions packaged with expansion anchors.



4. Ensure both expansion anchors ⑮ are unlocked, then install LH sidewall ① into bed until anchors are fully seated as shown. Depress levers to lock in place. Repeat for RH sidewall ②.

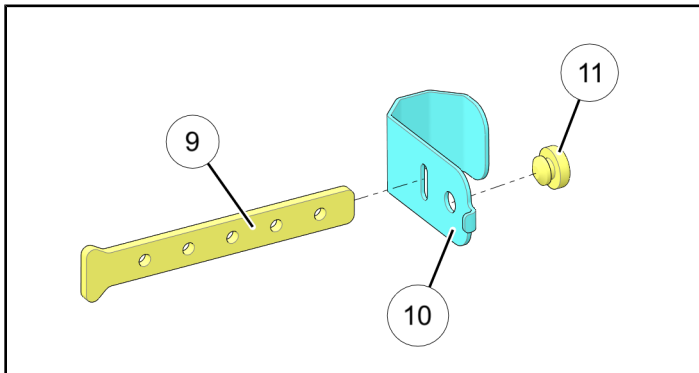
If installation is loose, remove sidewall from bed, tighten nut at base of affected anchor(s), and reinstall.



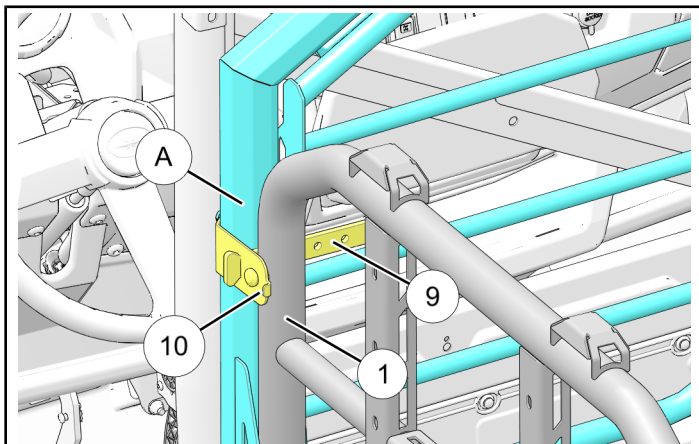
5. Stabilize sidewalls.

- **VEHICLES WITH HEADACHE RACK KIT:**
(PN 2879976 or 2881531; sold separately)

- a. Insert rubber bumper ⑪ and strap ⑨ into bracket ⑩.



- b. Hook bracket ⑩ on headache rack (A), then wrap strap ⑨ around sidewall ① and attach to tab on bracket. Repeat for opposite side.

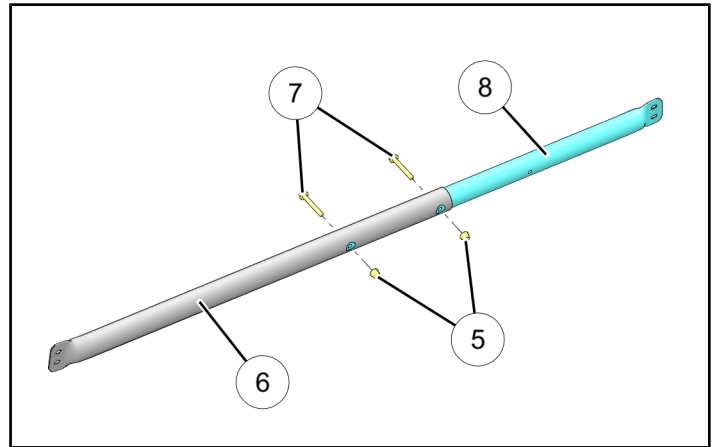


- **VEHICLES WITHOUT HEADACHE RACK KIT:**

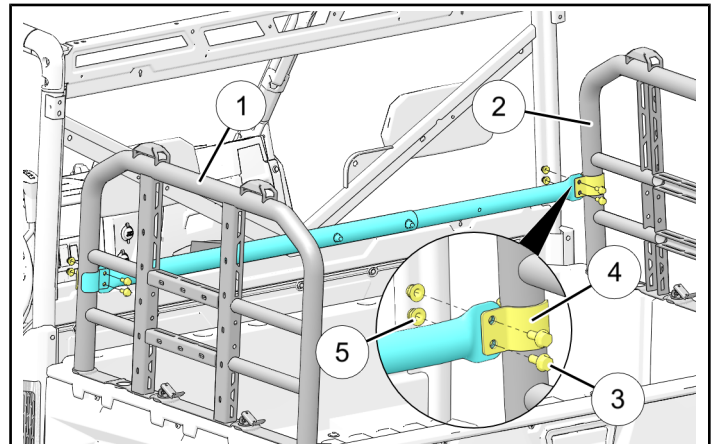
- a. Slide inner tube ⑧ into outer tube ⑥, then secure with two each screws ⑦ and nuts ⑤.

When installing screws in tube ⑧:

- **Full-Size Ranger:** Use two outer holes
- **Mid-Size Ranger:** Use two inner holes



- b. Loosely install one end of cross-bar assembly to LH sidewall ① using two each clamps ④, screws ③, and nuts ⑤. Repeat for opposite end of cross-bar to RH sidewall ②.



6. Install two brackets ⑫ to LH sidewall ① using two each screws ③ and nuts ⑤. Repeat for RH sidewall ②.

NOTE

Five bracket mounting positions are available;
bracket shown in highest location.

