

# LOCK & RIDE® GLASS WINDSHIELD KIT



**P/N 2882191**

## APPLICATION

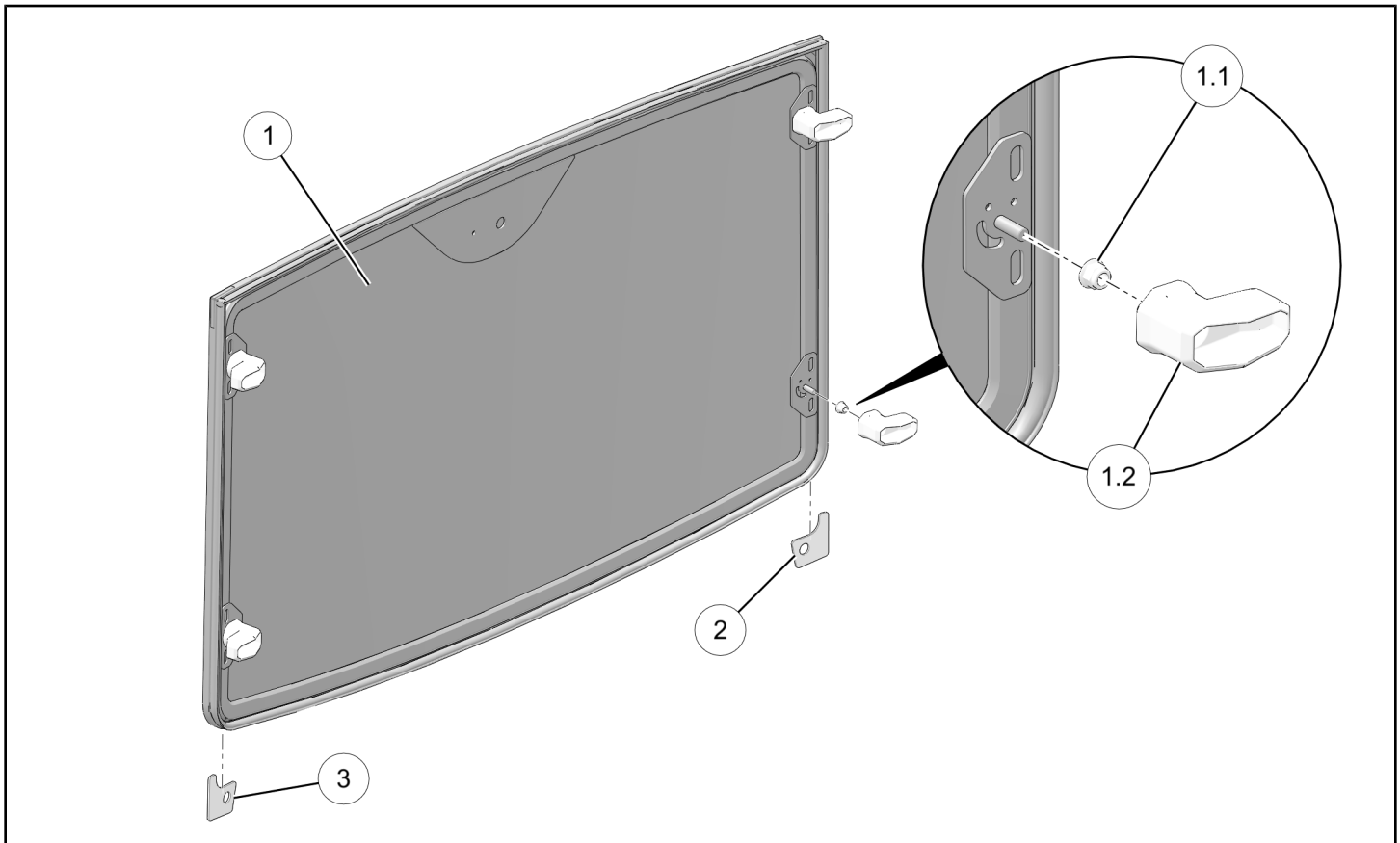
Verify accessory fitment at [Polaris.com](http://Polaris.com).

## BEFORE YOU BEGIN

Read these instructions and check to be sure all parts and tools are accounted for. Please retain these installation instructions for future reference and parts ordering information.

## KIT CONTENTS

This Kit includes:



REF	QTY	PART DESCRIPTION	PART NUMBER
1	1	Windshield, Glass (includes items 1.1–1.2)	-
1.1*	4	- Handle	5452533
1.2*	4	- Nut, Hex Flange - M8 X 1.25	7547454
2	1	Seal, Adhesive, RH	5814713
3	1	Seal, Adhesive, LH	5814712
	1	Instructions	9927351

Items marked (\*) are included in Hardware Kit PN 2206455 (one handle, one nut).

## TOOLS REQUIRED

- Safety Glasses
- Drill\*
- Drill Bit\*: 7 mm, 3/4 inch

\* Tool requirement dependent on specific installation.

## IMPORTANT

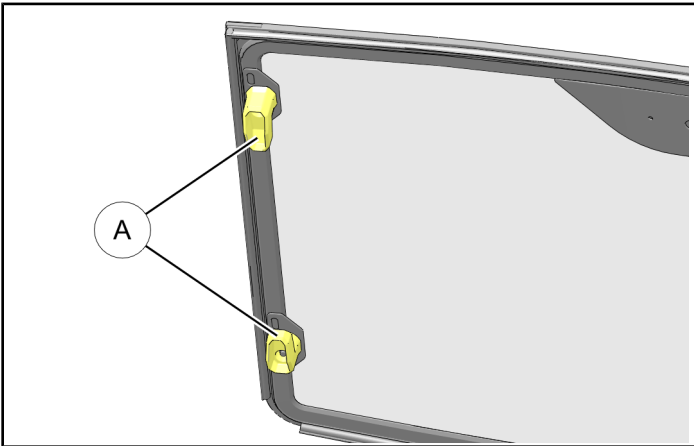
Your Lock & Ride® Glass Windshield Kit is exclusively designed for your vehicle. Please read the installation instructions thoroughly before beginning. Installation is easier if the vehicle is clean and free of debris. For your safety, and to ensure a satisfactory installation, perform all installation steps correctly in the sequence shown.

## INSTALLATION INSTRUCTIONS

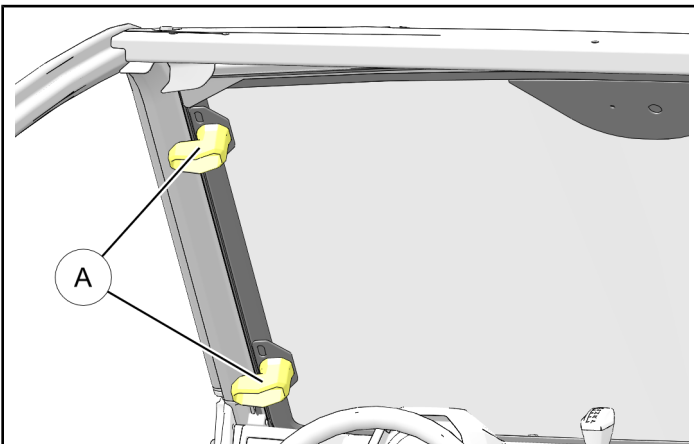
1. Shift vehicle transmission into “PARK”. Turn ignition switch to “OFF” position and remove key.
2. Rotate all four handles ① to unlocked position (parallel to sides of windshield).

### NOTE

LH side shown; RH side similar.



3. Place windshield into ROPS, then rotate all four handles ① to locked position (perpendicular to sides of windshield).



4. With windshield installed, identify location for LH seal ③, then trim seal to fit.

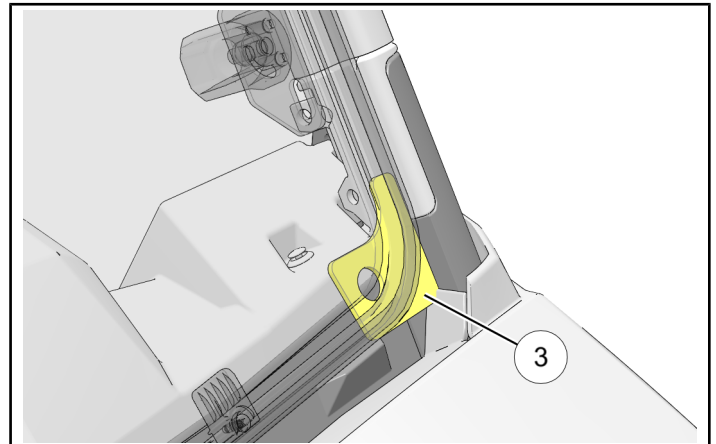
Remove windshield, clean installation surface as required, peel adhesive backing from seal, then press firmly into place.

Repeat for RH side using seal ②.

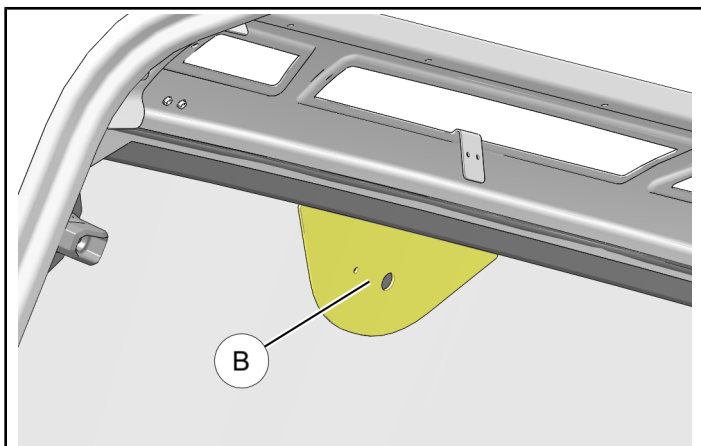
### NOTE

LH side shown; RH side opposite. Windshield edge shown partially transparent for reference.

Hole in seal is unused for this application.



5. OPTIONAL: If windshield wiper kit will be installed (sold separately), then use mounting plate **B** as template to carefully drill out 7 mm and 3/4 inch holes.



**⚠ WARNING**

If transporting vehicle in non-enclosed trailer then vehicle must FACE FORWARD, or windshield must be removed.

Failure to comply may allow airflow, vibration, or other factors to separate windshield from vehicle and cause an accident, resulting in serious personal injury or death.