

# LOCK & RIDE® QUICKSTRAP KIT



**P/N 2882187**

## APPLICATION

Verify accessory fitment at [Polaris.com](http://Polaris.com).

## BEFORE YOU BEGIN

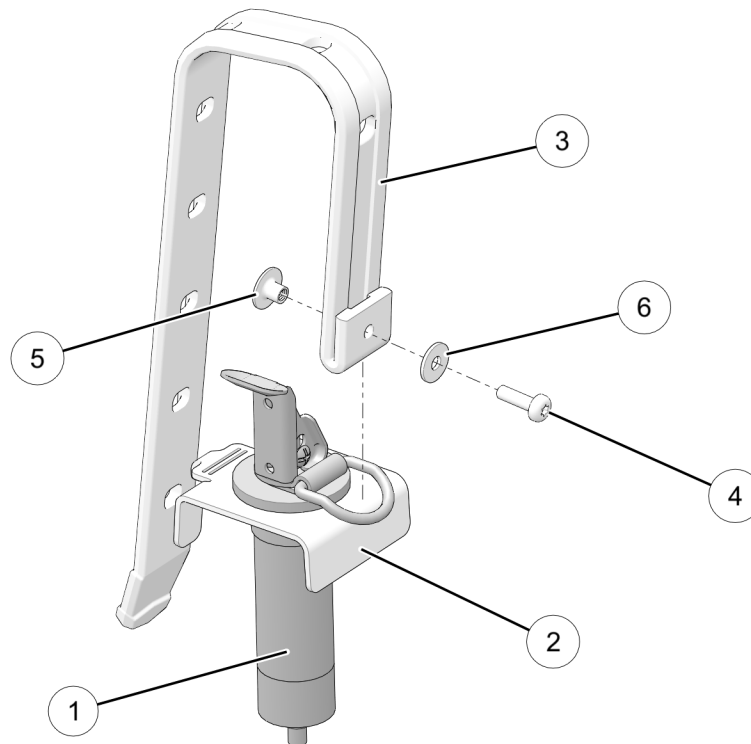
Read these instructions and check to be sure all parts and tools are accounted for. Please retain these installation instructions for future reference and parts ordering information.

## KIT CONTENTS

This Kit includes:

### NOTE

Kit contains two sets of parts; one set shown.



REF	QTY	PART DESCRIPTION	PART NUMBER
1	1	Expansion Anchor Kit, D-Ring (package contains two anchors)	2881545
2	2	Bracket	-
3	2	Strap	-
4	2	Screw, Torx® Pan Head - M6 X 1.0 X 20	7518546
5	2	Nut, Flange - M6 X 1.0	-

REF	QTY	PART DESCRIPTION	PART NUMBER
6	2	Washer - 6.3 X 16.0 X 1.5	-
	1	Instructions	9927347

## TOOLS REQUIRED

- Safety Glasses
- Screwdriver, Phillips
- Wrench Set, SAE

## IMPORTANT

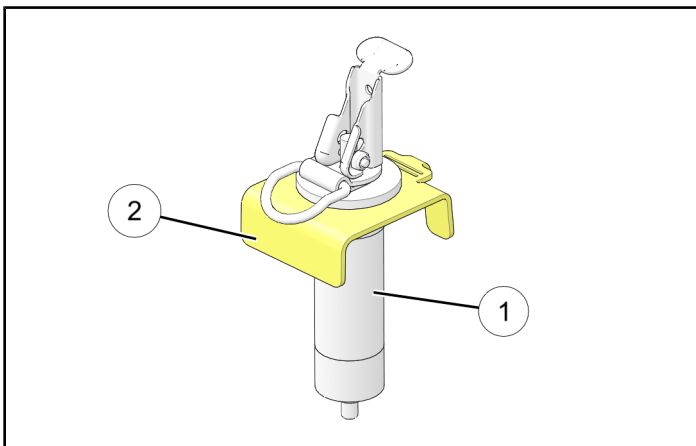
Your Lock & Ride® QuickStrap Kit is exclusively designed for your vehicle. Please read the installation instructions thoroughly before beginning. Installation is easier if the vehicle is clean and free of debris. For your safety, and to ensure a satisfactory installation, perform all installation steps correctly in the sequence shown.

## ASSEMBLY TIME

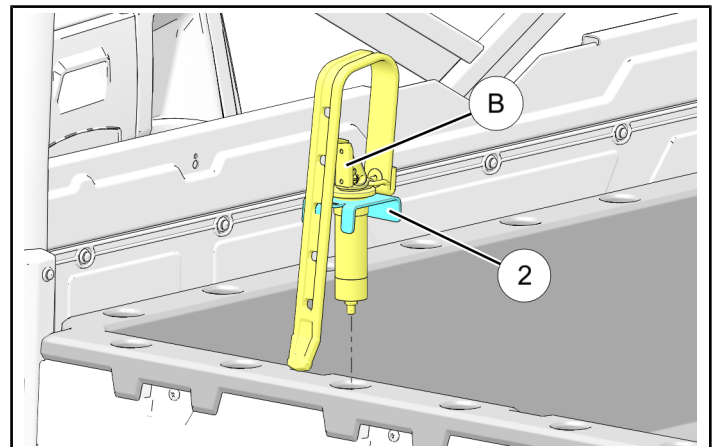
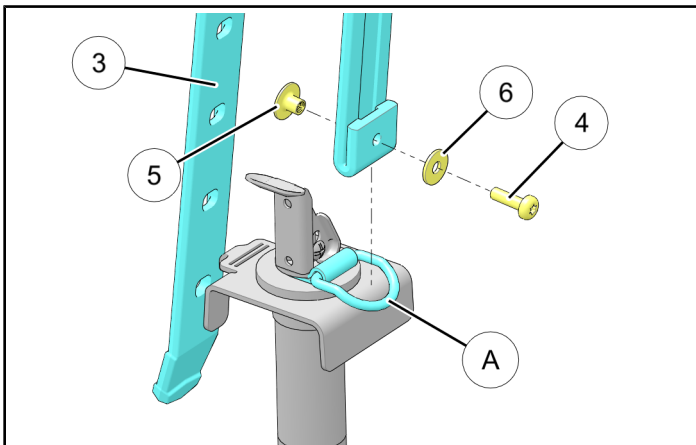
Approximately 10 minutes

## INSTALLATION INSTRUCTIONS

1. Shift vehicle transmission into "PARK". Turn key to "OFF" position and remove from vehicle.
2. Assemble each expansion anchor ① per expansion anchor kit instructions except as follows: Insert bracket ② below locking lever as shown.
4. Insert unlocked expansion anchor assembly into bed until bracket ② is fully seated, then depress lever B to lock assembly in place. If installation is loose, remove anchor assembly from bed, tighten nut at anchor base, and reinstall.



3. Install strap ③ to D-ring A using one each screw ④, washer ⑥, and nut ⑤ as shown. Repeat for second expansion anchor.



5. To secure accessory: Wrap strap ③ through accessory ring or handle, then wrap strap back to bracket ② and secure to tab. Ensure tab on bracket fully engages hole in strap. Repeat for opposite side.