

COOLER WHEELS KIT



P/N 2882180

BEFORE YOU BEGIN

Read these instructions and check to be sure all parts and tools are accounted for. Please retain these installation instructions for future reference and parts ordering information.

APPLICATION

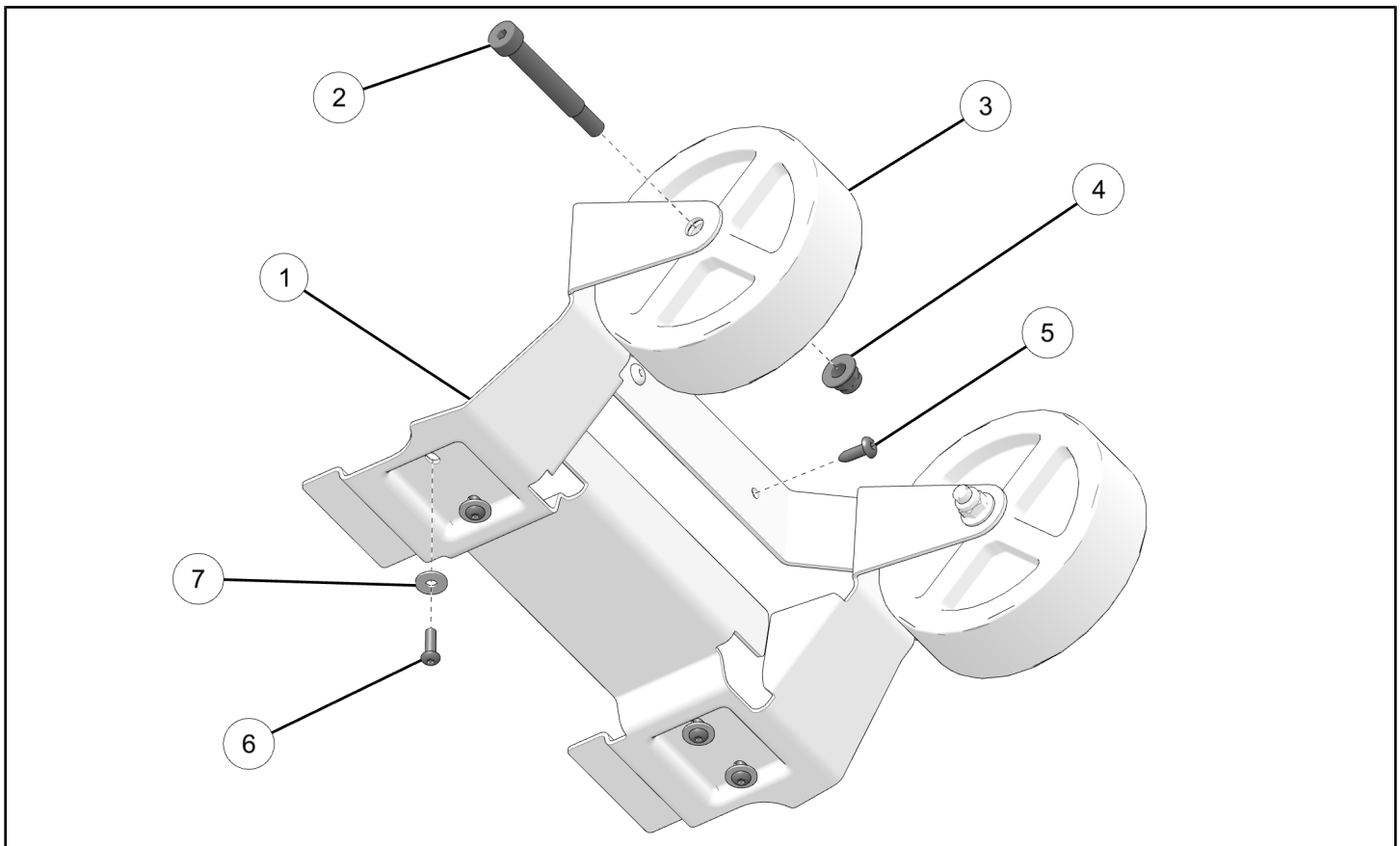
Verify accessory fitment at www.polaris.com.

REQUIRED SOLD SEPARATELY

Only parts for installation of the Cooler Wheels Kit are included. For complete installation, the following additional kit is required (sold separately):

- *Northstar™ Cooler, 60 Quart (or equivalent), P/N 2881259*

KIT CONTENTS



REF	QTY	PART DESCRIPTION	PART NUMBER
1	1	Frame	n/a
2	2	Screw – Axle, M10 x 1.25 x 88 mm	n/a
3	2	Wheel	n/a
4	2	Nut – Hex Flange, M10 x 1.25 mm	7547333
5	2	Screw – Self-Tapping Pan Head, Phillips, #14 x 3/4 in	7519045

REF	QTY	PART DESCRIPTION	PART NUMBER
6	4	Screw, Torx® Pan Head, M6 x 1.0 x 20 mm	7518616
7	4	Washer, 6.4 x 18.0 x 1.6 mm	7556064

TOOLS REQUIRED

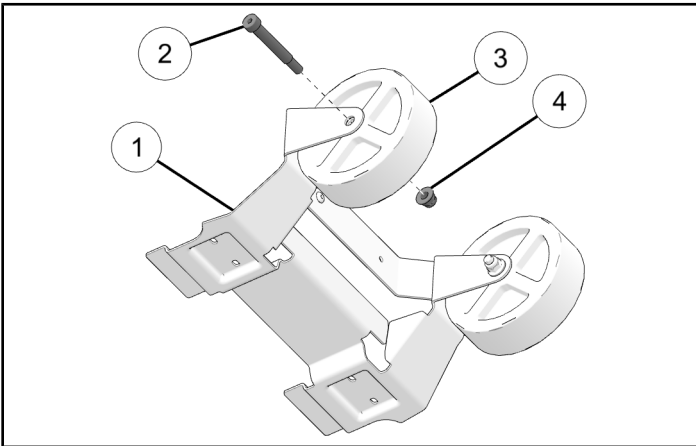
- Safety Glasses
- Hex Key Set, Metric
- Screwdriver Set, Torx®
- Socket Set, Metric

IMPORTANT

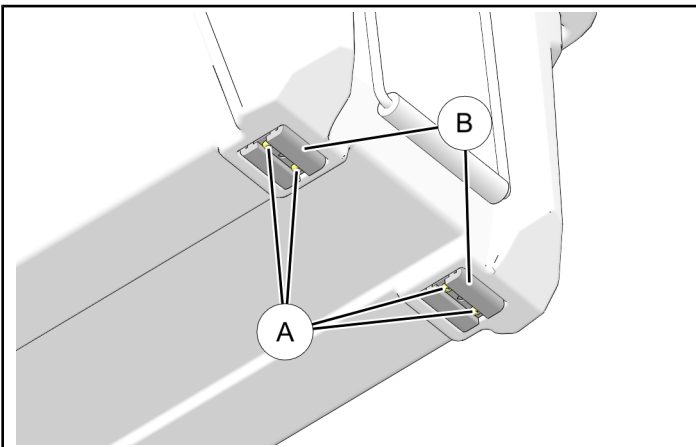
Your Cooler Wheels Kit is exclusively designed for your vehicle. Please read the installation instructions thoroughly before beginning. Installation is easier if the vehicle is clean and free of debris. For your safety, and to ensure a satisfactory installation, perform all installation steps correctly in the sequence shown.

INSTALLATION INSTRUCTIONS

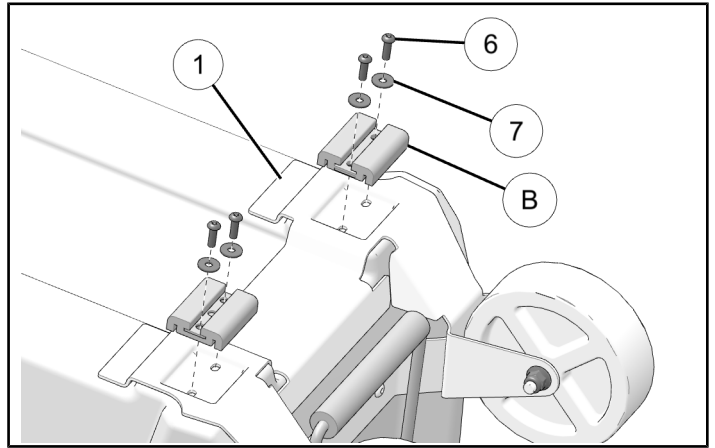
1. Install wheel ③ to frame ① using one each screw ② and nut ④. Repeat for opposite side. Do not overtighten fasteners.



2. At NON-DRAIN end of cooler, remove four screws ① from existing pads ② on bottom of cooler. Remove and keep pads. Screws will not be reused.

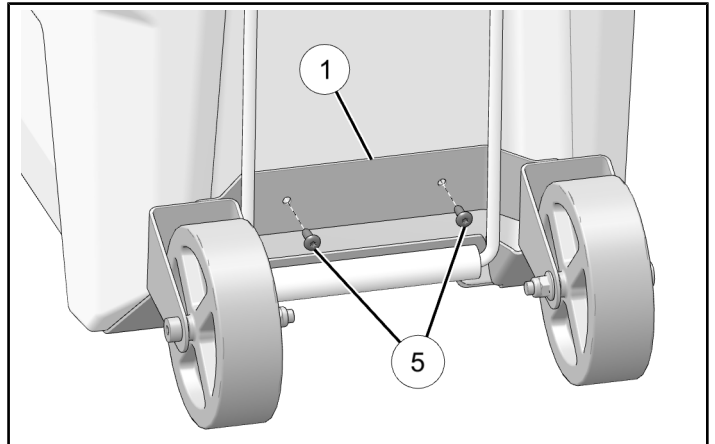


3. Install frame ① to bottom of cooler using two retained pads ② four washers ③ and four new screws ④. Do not overtighten screws.



4. Install frame ① to end of cooler using two screws ⑤. Do not overtighten screws.

NOTICE
Pre-drilling screw holes is not required.



FEEDBACK FORM

A feedback form has been created for the installer to provide any comments, questions or concerns about the installation instructions. The form is viewable on mobile devices by scanning the QR Code® or by clicking [HERE](#) if viewing on a PC.

