

FIRE EXTINGUISHER HOLDER KIT



P/N 2882158

APPLICATION

Verify accessory fitment at Polaris.com.

NOTE

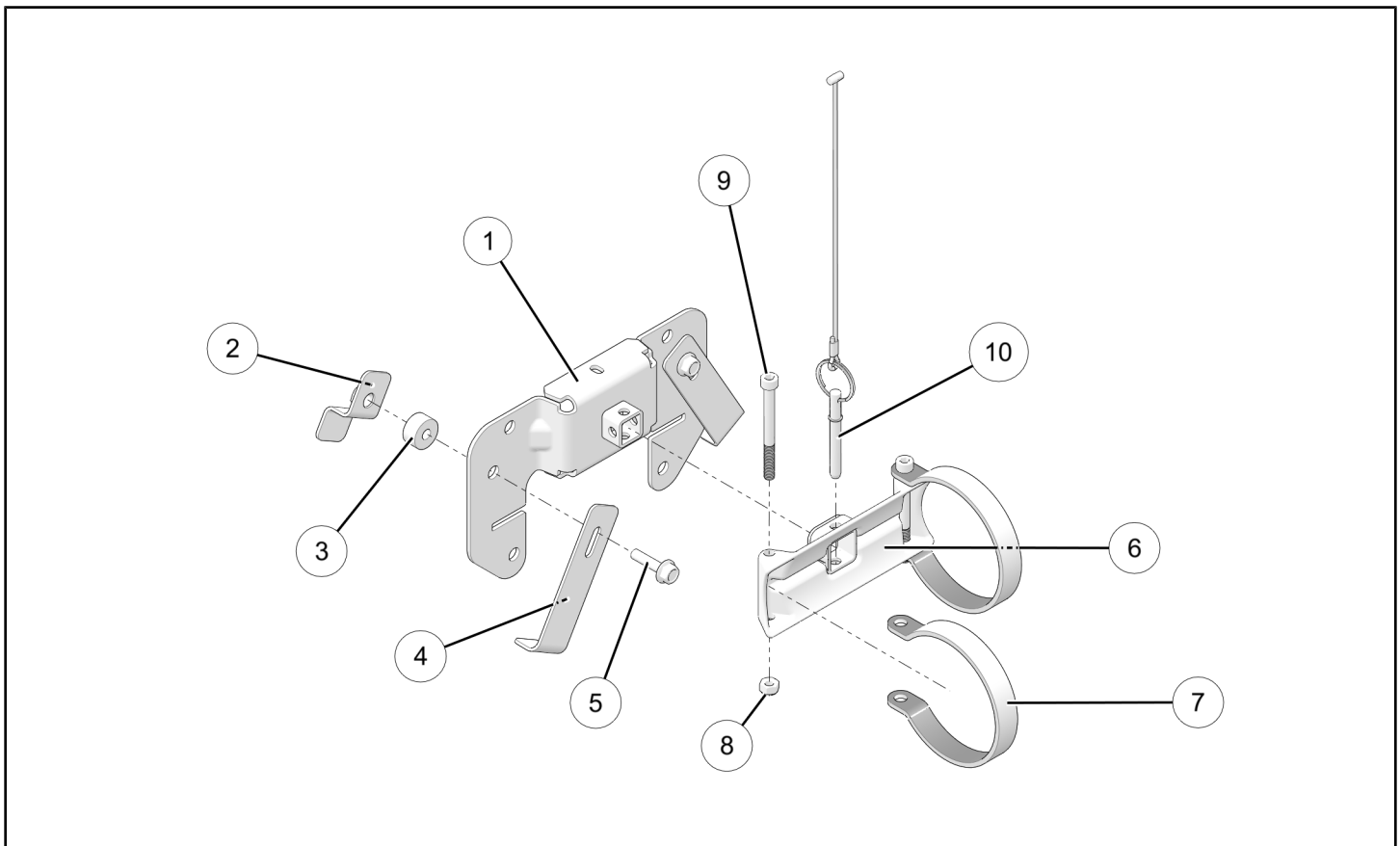
This Fire Extinguisher Holder Kit is designed for use ONLY with 3.25 inch diameter fire extinguisher bottles.

BEFORE YOU BEGIN

Read these instructions and check to be sure all parts and tools are accounted for. Please retain these installation instructions for future reference and parts ordering information.

KIT CONTENTS

This Kit includes:



REF	QTY	PART DESCRIPTION	PART NUMBER
1	1	Bracket, Vehicle-Side	-
2	2	Clip, Rear	-
3	2	Spacer	-
4	2	Clip, Front	-
5	2	Screw, Hex Flange - M6 X 1.0 X 25	-

REF	QTY	PART DESCRIPTION	PART NUMBER
6	1	Bracket, Bottle-Side	-
7	2	Ring, Bottle	-
8	2	Nut, Hex - M6 X 1.0	-
9	2	Screw, Hex Socket - M6 X 1.0 X 65	-
10	1	Pin, Release - 6 X 35 (with Key Ring and Wire Rope)	-
		Instructions	9927312

TOOLS REQUIRED

- Safety Glasses
- Hex Key Set, Metric
- Screwdriver Set, Torx®
- Socket Set, Metric

IMPORTANT

Your Fire Extinguisher Holder Kit is exclusively designed for your vehicle. Please read the installation instructions thoroughly before beginning. Installation is easier if the vehicle is clean and free of debris. For your safety, and to ensure a satisfactory installation, perform all installation steps correctly in the sequence shown.

ASSEMBLY TIME

Approximately 10 minutes

INSTALLATION INSTRUCTIONS

1. Shift vehicle transmission into “PARK”. Turn key to “OFF” position and remove from vehicle.
2. Install fire extinguisher bottle to bottle-side bracket ⑥ using two each bottle rings ⑦, screws ⑨, and nuts ⑧ as shown. Tighten screws as required to securely hold bottle.

3. Install vehicle-side bracket ①.

NOTE

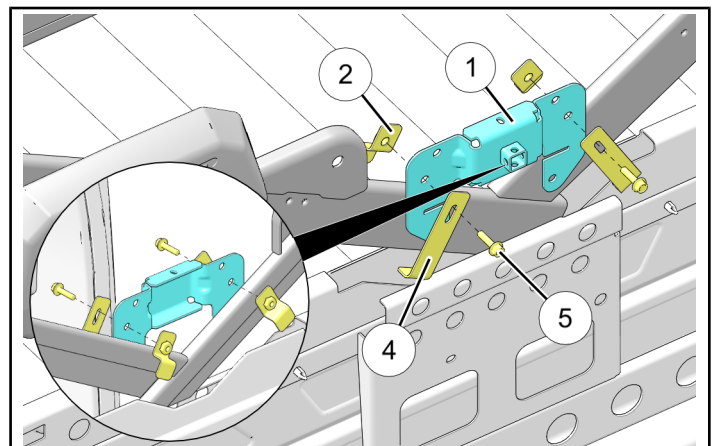
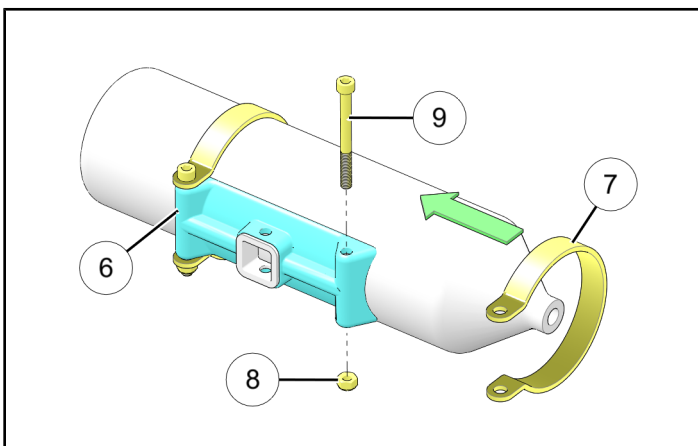
Release pin ⑩ not shown for clarity.

FULL-SIZE RANGER:

Position two each front clips ④ and rear clips ② as shown, then secure vehicle-side bracket ① to ROPS using two screws ⑤. Spacers ③ are not used.

IMPORTANT

Ensure fire extinguisher nozzle is pointing DOWN to minimize contamination or obstruction of nozzle.

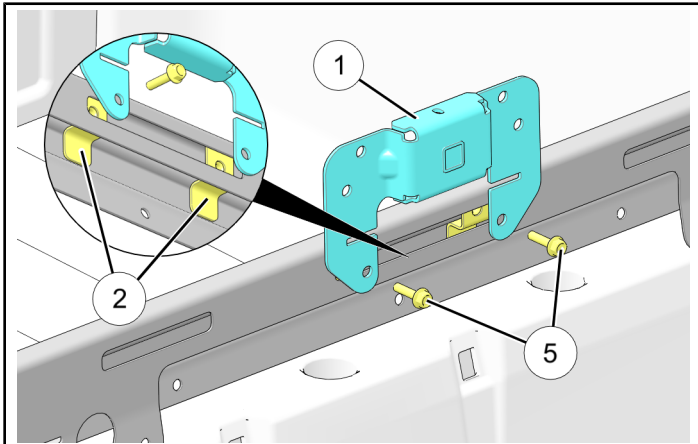


MID-SIZE RANGER:

TIP

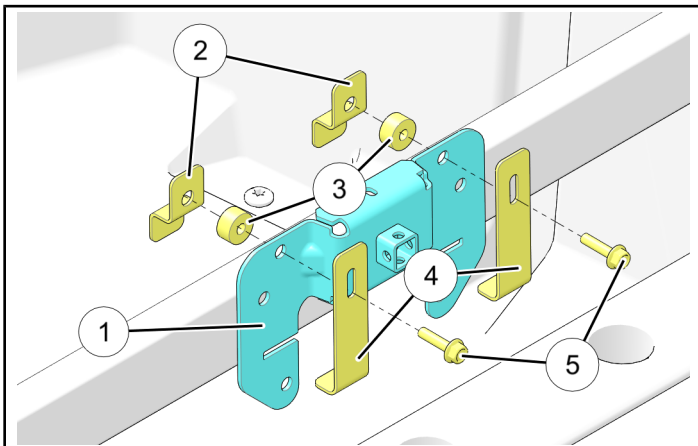
If rear window panel is installed, temporarily remove to facilitate clip installation.

Lift two rear clips ② into lower ROPS cross-member, then install vehicle-side bracket ① to clips using two screws ⑤ as shown. Spacers ③ and front clips ④ are not used.



GENERAL:

Position two each rear clips ②, spacers ③, and front clips ④ as shown, then secure vehicle-side bracket ① to ROPS using two screws ⑤.

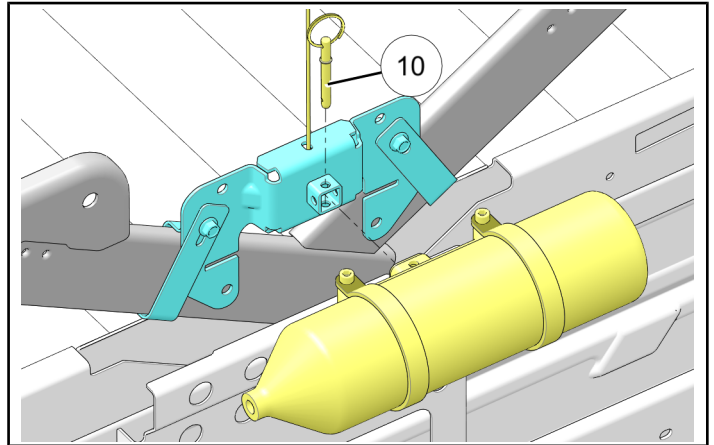


4. Insert "T" end of lanyard (attached to release pin ⑩) through hole in top of vehicle-side bracket ①.

TIP

Orient wire towards slotted end of hole to facilitate installation.

5. Install bottle bracket assembly to vehicle bracket assembly using pin ⑩ as shown.



6. Test operation of bottle assembly by removing release pin ⑩. Adjust location as required to ensure unrestricted access to bottle and freedom of release mechanism.