

HEADACHE RACK KIT



P/N 2882144

APPLICATION

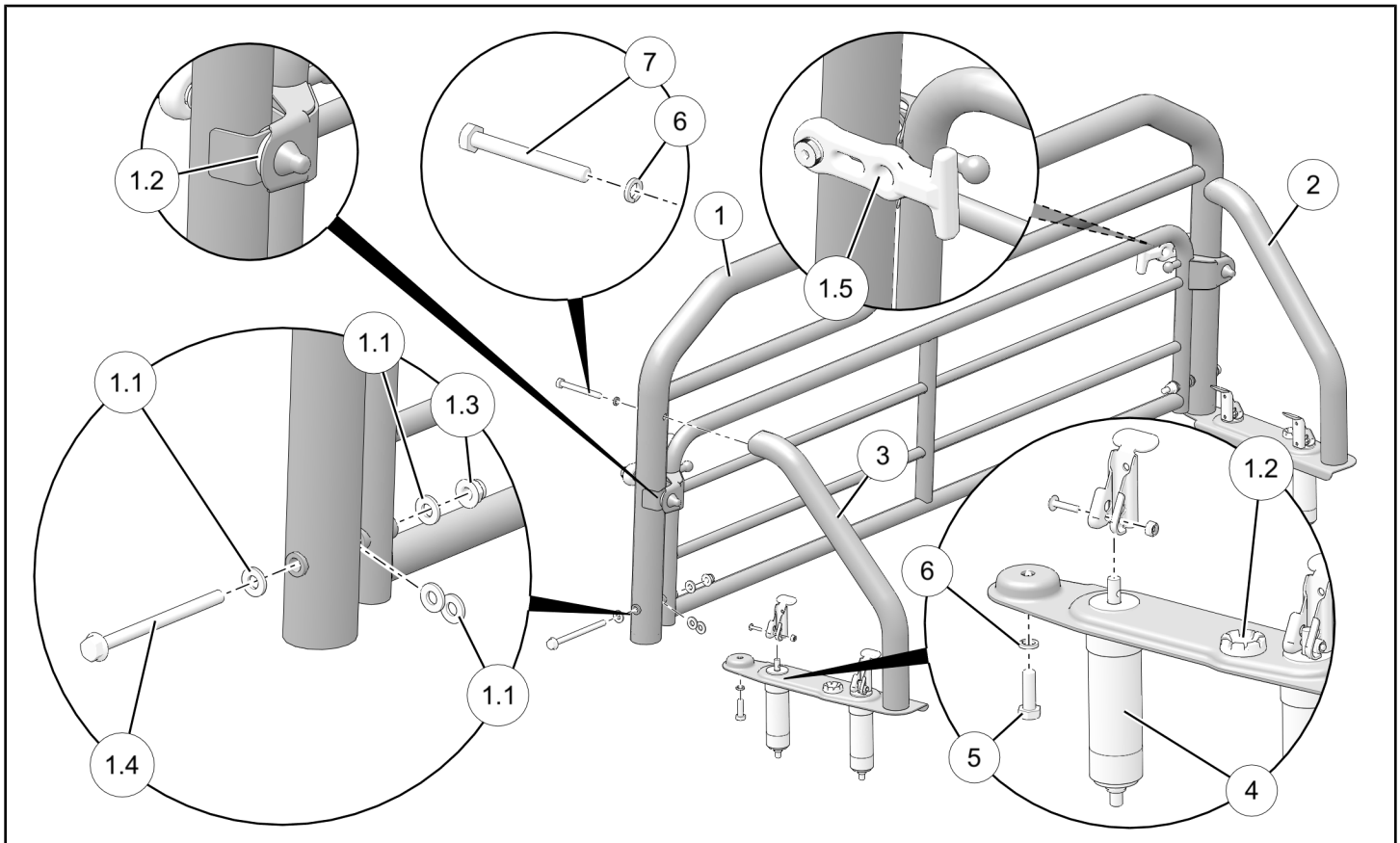
Verify accessory fitment at Polaris.com.

BEFORE YOU BEGIN

Read these instructions and check to be sure all parts and tools are accounted for. Please retain these installation instructions for future reference and parts ordering information.

KIT CONTENTS

This Kit includes:



REF	QTY	PART DESCRIPTION	PART NUMBER	INCLUDED IN SERVICE KIT
1	1	Frame (includes items 1.1–1.5 below)	-	-
1.1	8	– Washer, PTFE - M8	-	2206422
1.2	4	– Grommet, Latch	-	2206422
1.3	2	– Nut, Hex Flange, Locking - M8 X 1.25	-	2206422
1.4	2	– Screw, Hex Flange - M8 X 1.25 X 110	-	2206422
1.5	2	– Strap	-	2206422, 2207749
2	1	Support, RH	-	-
3	1	Support, LH	-	-

REF	QTY	PART DESCRIPTION	PART NUMBER	INCLUDED IN SERVICE KIT
4	4	Lock & Ride® Expansion Anchor	2875250	-
5	2	Screw, Hex - M8 X 1.25 X 25	-	2206422
6	4	Washer, Lock - M8	-	2206422
7	2	Screw, Hex - M8 X 1.25 X 70	-	2206422
	1	Instructions	9927297	-

TOOLS REQUIRED

- Safety Glasses
- Socket Set, Metric
- Wrench Set, Metric

IMPORTANT

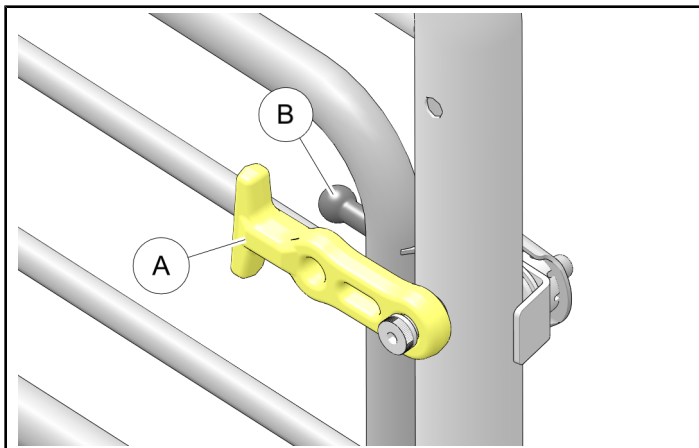
Your HEADACHE RACK KIT is exclusively designed for your vehicle. Please read the installation instructions thoroughly before beginning. Installation is easier if the vehicle is clean and free of debris. For your safety, and to ensure a satisfactory installation, perform all installation steps correctly in the sequence shown.

INSTALLATION INSTRUCTIONS

NOTE

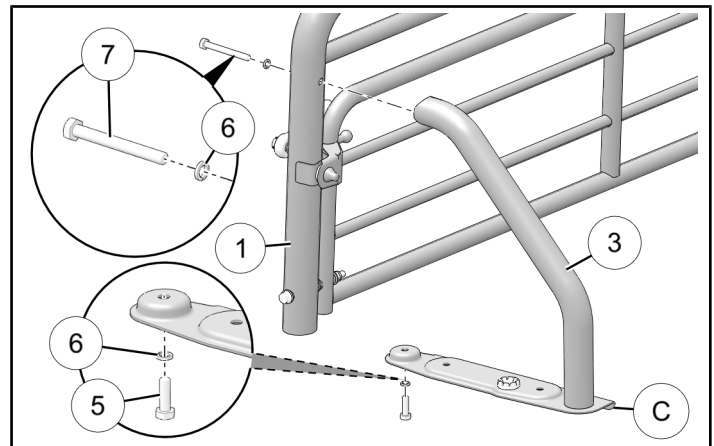
It is recommended that two people install this headache rack into the vehicle bed.

1. Shift vehicle transmission into "PARK". Turn ignition switch to "OFF" position and remove key.
2. Secure two straps **A** to posts **B** (if not already secured from factory).



3. Install LH support **3** to frame **1** using screw **7**, screw **5**, and two washers **6**. Ensure proper support is used: flange **C** should be on INBOARD side.

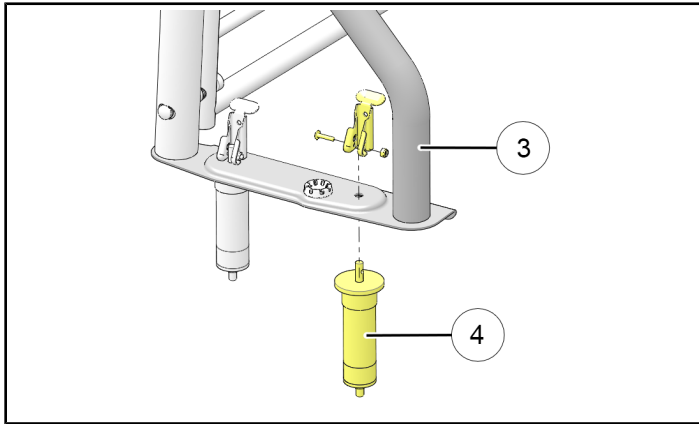
Repeat for RH support **2**.



4. Install two LOCK & RIDE® expansion anchors ④ to LH support ③. Repeat for RH support ②.

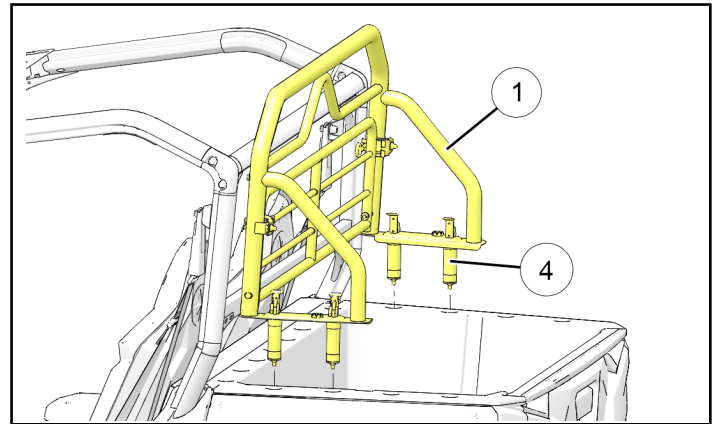
NOTE

Refer to instructions included with LOCK & RIDE® expansion anchors.



5. Ensure all expansion anchors ④ are unlocked, then install frame ① into bed until anchors are fully seated. Depress levers to lock in place.

If installation is loose, remove rack from bed, tighten nut at base of affected anchor(s), and reinstall.



FEEDBACK FORM

A feedback form has been created for the installer to provide any comments, questions or concerns about the installation instructions. The form is viewable on mobile devices by scanning the QR code or by clicking [HERE](#) if viewing on a PC.

FEEDBACK FORM

