

DOOR PANEL SPEAKER AMPLIFIER KIT



P/N 2882122, 2883738

APPLICATION

Verify accessory fitment at Polaris.com.

BEFORE YOU BEGIN

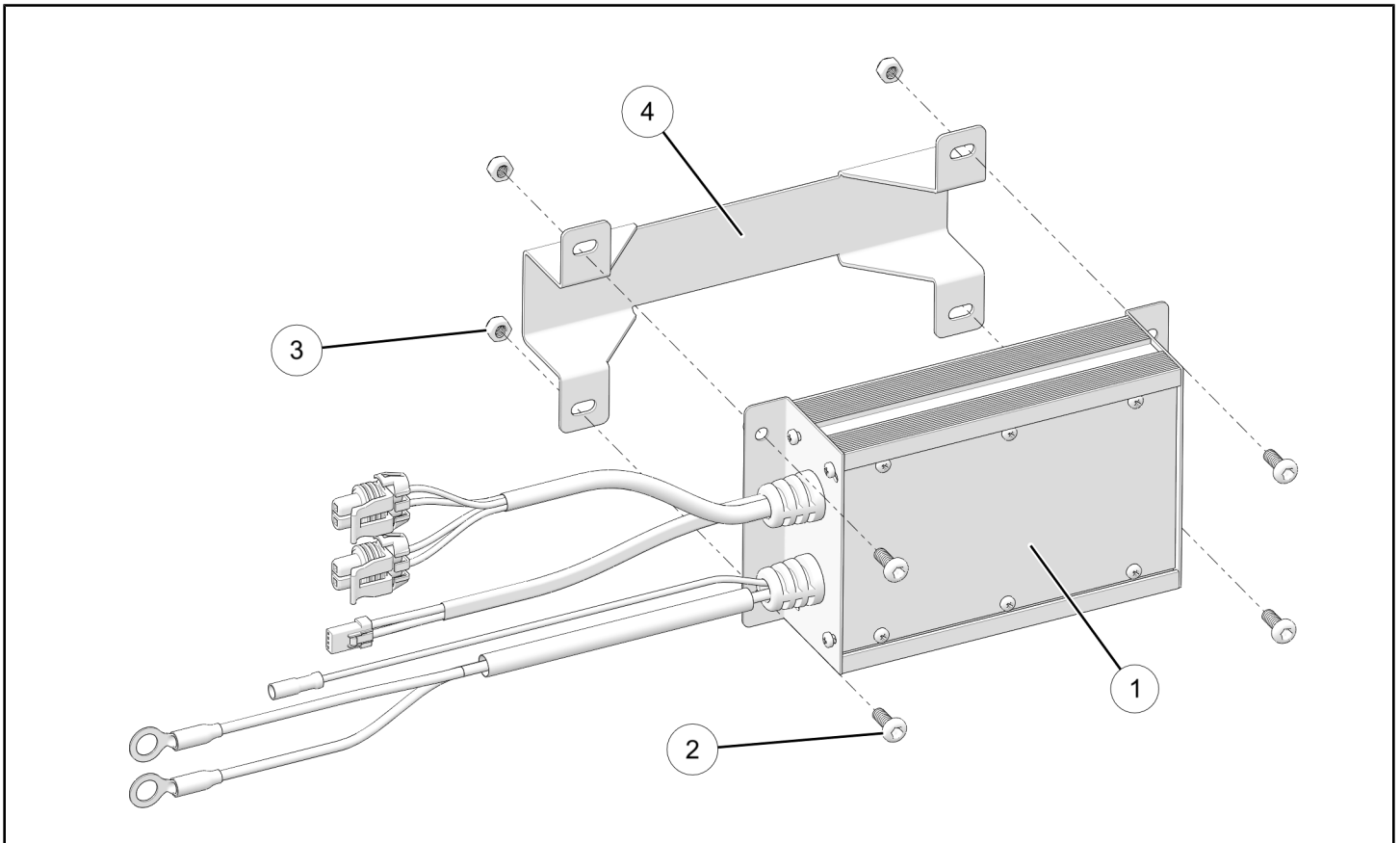
Read these instructions and check to be sure all parts and tools are accounted for. Please retain these installation instructions for future reference and parts ordering information.

KIT CONTENTS

This kit contains parts for installation of the Door Panel Speaker Amplifier only. Prior installation of the following additional kits is also required (sold separately):

1. One of the following Battery Connection Kits:
 - PN 2879862, 2881551, or equivalent (2 passenger RZR)
 - PN 2880055, 2881646, or equivalent (4 passenger RZR)
2. Door Panel Speaker Kit, PN 2881989

This Kit includes:



REF	QTY	PART DESCRIPTION	PART NUMBER
1	1	Amplifier	-
2*	4	Screw, Torx® - M5 X 12	-
3*	4	Nut - M5	-

REF	QTY	PART DESCRIPTION	PART NUMBER
4*	1	Bracket	-
	1	Instructions	9927293

Items marked (*) are included in Hardware Kit PN 2206637.

TOOLS REQUIRED

- Safety Glasses
- Screwdriver Set, Torx®
- Wrench Set, Metric

IMPORTANT

Your Door Panel Speaker Amplifier Kit is exclusively designed for your vehicle. Please read the installation instructions thoroughly before beginning. Installation is easier if the vehicle is clean and free of debris. For your safety, and to ensure a satisfactory installation, perform all installation steps correctly in the sequence shown.

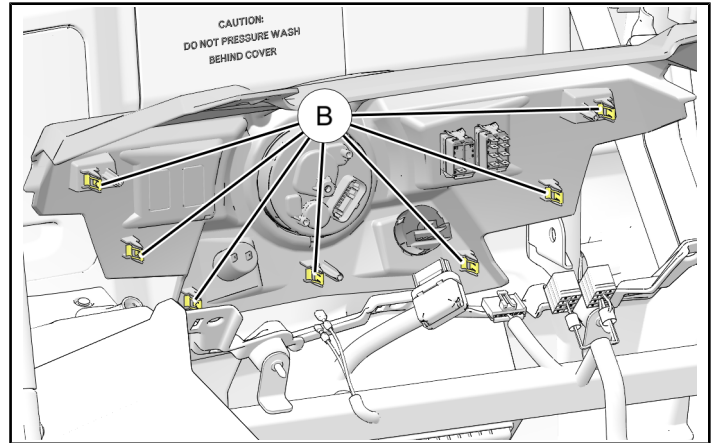
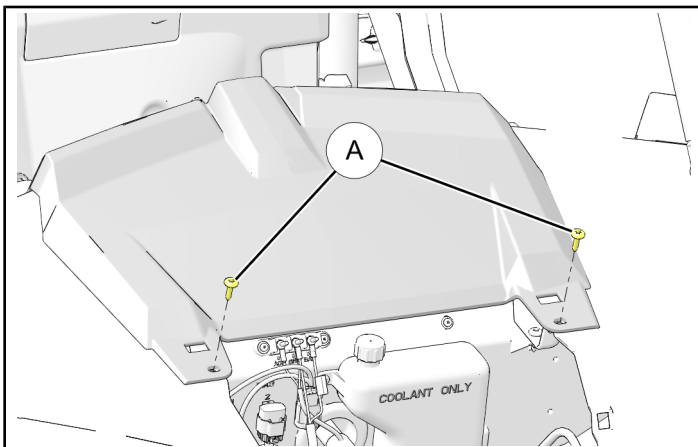
ASSEMBLY TIME

Approximately 15 minutes

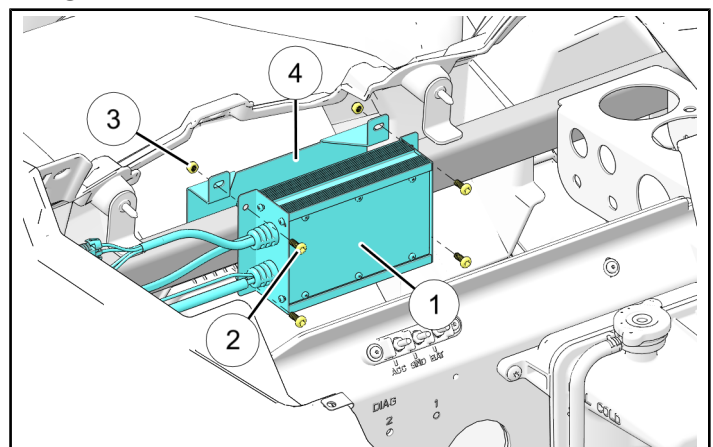
INSTALLATION INSTRUCTIONS

1. Shift vehicle transmission into "PARK". Turn key to "OFF" position and remove from vehicle.
2. Remove driver's (or left rear passenger) seat and disconnect black negative (-) cable from battery.
3. Gain Access.
 - a. Remove hood.
 - b. Remove windshield.
 - c. Remove two screws **A** securing front of upper dash panel, then carefully pull panel rearward, disengaging seven retaining clips **B** as shown.

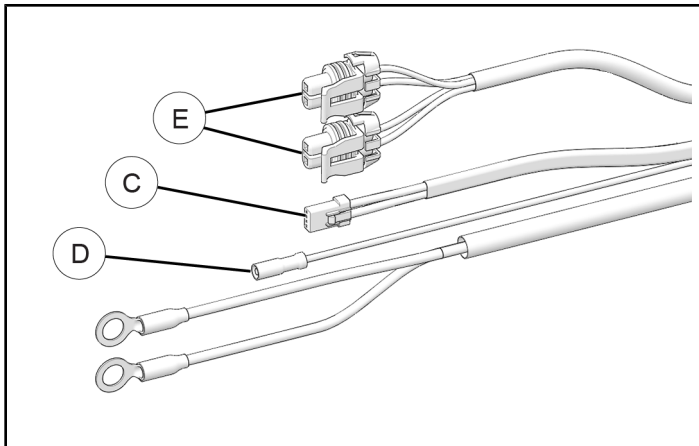
If necessary for access, label and disconnect other electrical harnesses from control panel.



4. Install amplifier **1** and bracket **4** to vehicle frame cross-member using four each screws **2** and nuts **3**.



5. Route electrical harness ring terminals forward through firewall grommet and connect to terminal block:
 - **RED** harness wire: To post with existing RED battery connection cable (unswitched 12V POS); post may be identified as “BAT”
 - **BLACK** harness wire: To post with existing BLACK battery connection cable (12V NEG); post may be identified as “GND”
6. Join 4–pin connector ③ from amplifier to mating 4–pin connector from Dash Radio Kit (PN 2881988, purchased separately), Bluetooth® Remote Kit (PN 2881470, purchased separately), or other compatible audio component.



7. Join bullet connector (blue wire) ④ from amplifier to mating bullet connector from Dash Radio Kit (PN 2881988, purchased separately), Bluetooth® Remote Kit (PN 2881470, purchased separately), or other compatible audio component.
8. Join each 2–pin connector ⑤ from amplifier to mating connectors on LH and RH speaker harness(es).

NOTE

RH side has grey wires, LH side has white wires.

9. Remove rubber plug on opposite end of amplifier to gain access to gain control. Adjust as required to equalize signal between door panel speakers and other audio components, then reinstall plug.
10. Restore access.
11. Reconnect black negative (-) cable to battery and reinstall seat.

FEEDBACK FORM

A feedback form has been created for the installer to provide any comments, questions or concerns about the installation instructions. The form is viewable on mobile devices by scanning the QR code or by clicking [HERE](#) if viewing on a PC.

FEEDBACK FORM

