

HEATER KIT



P/N 2881316

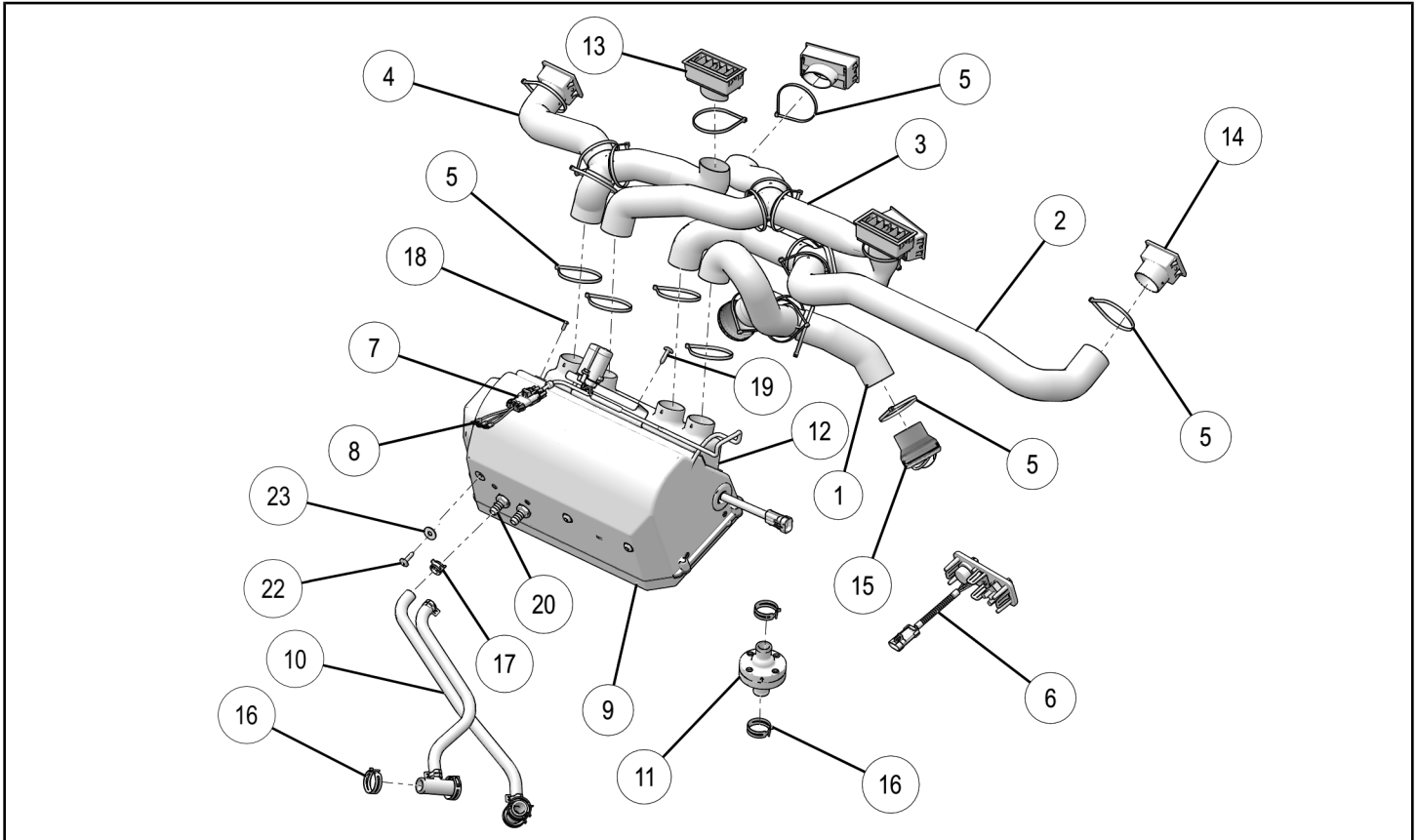
BEFORE YOU BEGIN

Read these instructions and check to be sure all parts and tools are accounted for. Please retain these installation instructions for future reference and parts ordering information.

APPLICATION

Verify accessory fitment at [Polaris.com](https://www.polaris.com).

KIT CONTENTS



REF	QTY	PART DESCRIPTION	PART NUMBER
1	1	Duct Assembly, Lower	2636315
2	1	Duct Assembly, LH	2636314
3	1	Duct Assembly, Center	2636316
4	1	Duct Assembly, RH	2636126
5*	13	Cable Tie, 14 inch	7080761
6	1	Switch Panel	2416999
7	1	Main Heater Harness	2413424
8	1	Adapter Harness	2413447
9	1	Heater Core	2636125

REF	QTY	PART DESCRIPTION	PART NUMBER
10	1	Coolant Hose Assemblies (PN includes TWO heater hoses with attached tee fittings)	2636127
11*	1	Thermostat	2636186
12	1	Manifold	5452874
13	4	Vent, Rectangular	5452875
14	2	Vent, Square	5452876
15	2	Vent, Round	5452877
16*	6	Hose Clamp, 1-1/4 inch	7080844
17*	2	Hose Clamp, 20 mm	7081719
18*	2	Screw, Torx® - #10 X 1/2, High/Low	7519091
19*	2	Screw, Torx® - M6 X 1.0 X 25	7519650
20*	2	Fittings, Coolant Line, Male	7052663
21	1	Foam Gasket, Adhesive (not shown)	n/a
22*	3	Screw, Torx® - M8 X 1.25 X 25	7519728
23*	3	Washer - 8.4 X 24.0 X 2.0	7556045

Items marked (*) are included in Hardware Kit PN 2206237. This hardware kit also includes PN 8360166–92 bulk air ducting.

TOOLS REQUIRED

- Safety Goggles
- Drill
- Drill Bit: 1/4 inch (6 mm), 5/16 inch (8 mm)
- Drain Pan
- Hole Saw, 2-1/2 inch (64 mm)
- Pliers, Hose Pinch-Off (three required)
- Pliers, Slip Joint
- Pliers, Side Cutting
- Pliers, Push Pin Rivet
- Cutting Tool
- Screwdriver Set, Torx®
- Socket Set, Metric
- Socket Set, SAE

CONSUMABLES REQUIRED

- POLARIS Antifreeze 50/50 Premix, 2-4 quarts
- Tape, Thread Sealing
- Gloves, Chemical Resistant

IMPORTANT

Your HEATER KIT is exclusively designed for your vehicle. Please read the installation instructions thoroughly before beginning. Installation is easier if the vehicle is clean and free of debris. For your safety, and to ensure a satisfactory installation, perform all installation steps correctly in the sequence shown.

INSTALLATION INSTRUCTIONS

NOTE

Polaris recommends two people assemble and install this kit.

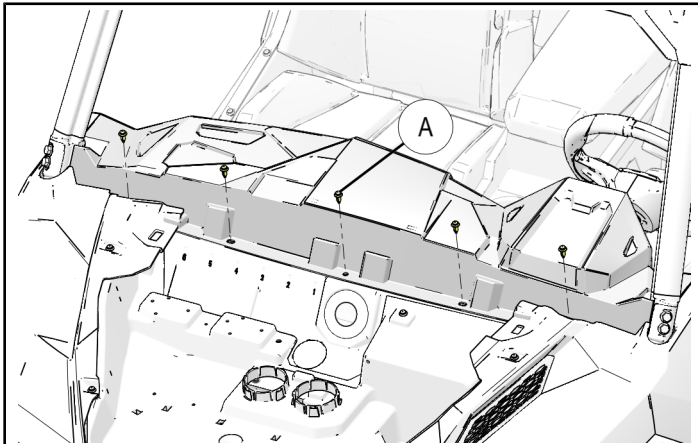
1. Shift vehicle transmission into "PARK". Turn ignition switch to "OFF" position and remove key.

⚠ WARNING

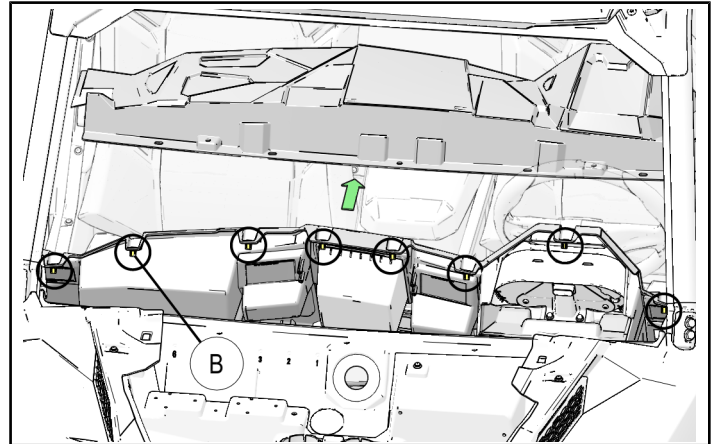
Ensure red positive (+) battery terminal is **COMPLETELY COVERED** by protective boot. Accidental tool contact across both battery terminals will result in high current electrical arc, and may result in battery explosion. Death or serious personal injury may occur.

Black negative (-) cable **MUST** be disconnected from battery terminal. Failure to disconnect cable may result in electrical arc when installing connections at terminal block. Death or serious personal injury, or damage to vehicle or accessory, may occur.

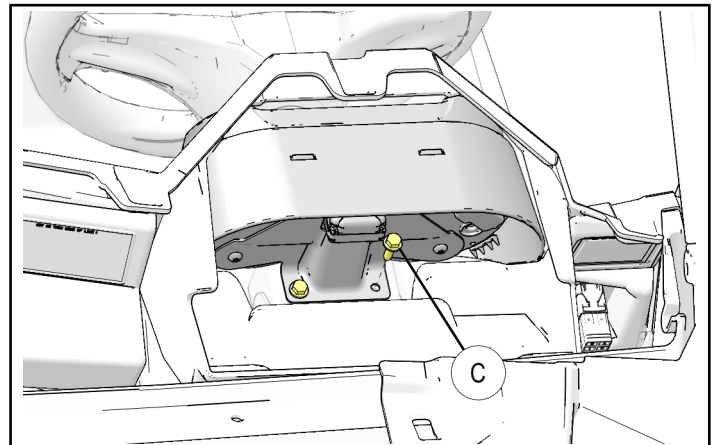
2. Remove driver's seat (**GENERAL**® 4: left rear passenger seat) and battery access cover, then disconnect black negative (-) cable from battery.
3. Gain access.
 - a. Remove hood.
 - b. If windshield is installed, remove or open (as applicable) to gain access to upper dash.
 - c. Remove upper dash panel.
 - i. Remove five push pin rivets (A) from forward side of upper dash panel.



- ii. Slide upper dash panel to rear, disengaging eight spring clips (B).



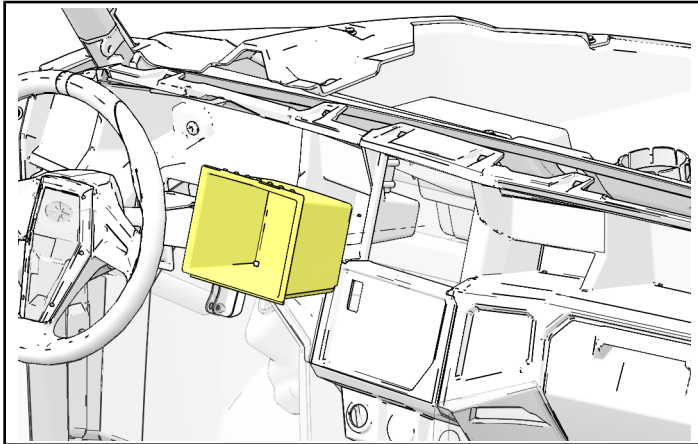
- d. Remove main dash panel.
 - i. Remove two hex head screws (C) securing instrument cluster bracket. Carefully disconnect electrical harness and remove instrument cluster.



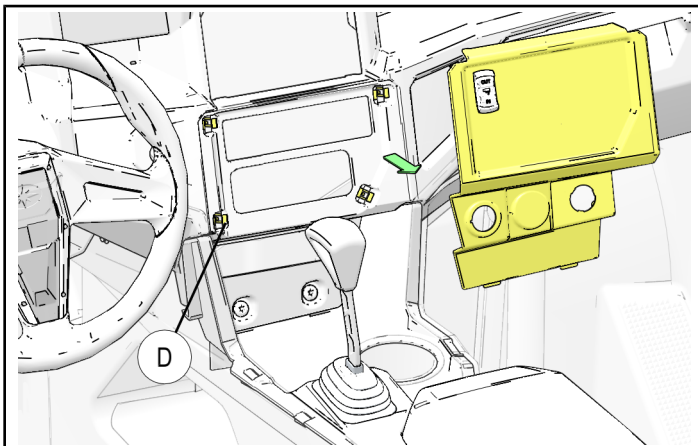
- ii. Using fingers, remove center storage box by pressing top edge of box down, disengaging box locking tabs from main dash panel. Tip box out of dash and remove.

IMPORTANT

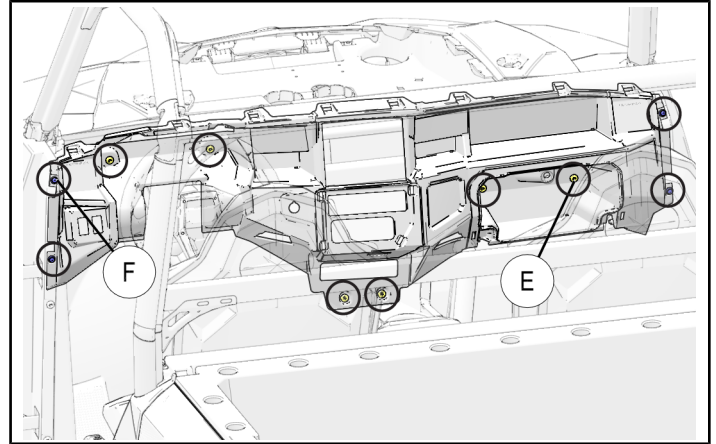
Use only enough force to disengage locking tabs. Excessive force may damage box.



- iii. Using fingers, remove center control panel by disengaging four spring clips (D). Label and disconnect electrical harnesses from switches, sockets, or other devices in control panel.



- iv. Remove six screws (E) and four push pin rivets (F) securing main dash panel. Retain screws and rivets.



- v. Grasp LH center console side panel, then carefully pull panel outboard and downward to detach tabs at location (N) and (P). Repeat for RH side panel.

NOTE

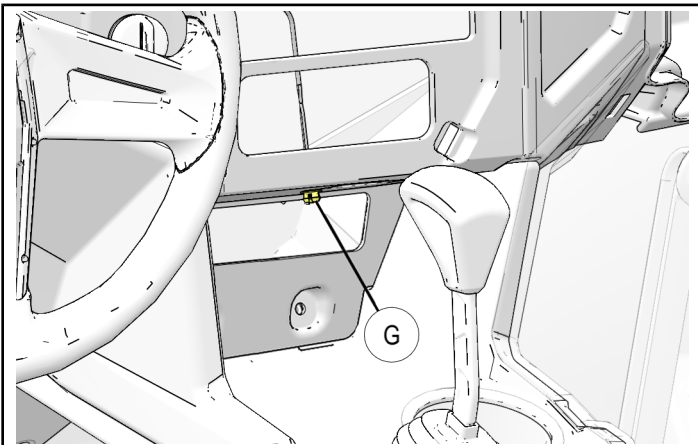
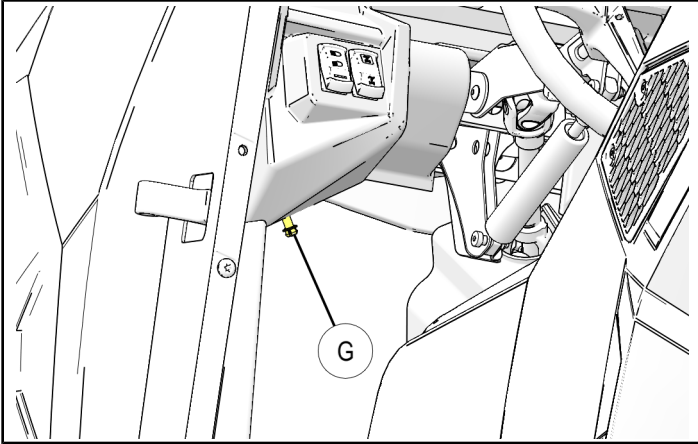
When removing main dash panel in next step, LH and RH center console side panel tabs (P) may need to be held down to prevent interference with main dash panel.



- vi. Remove main dash panel, carefully disconnecting electrical harnesses and three lower interior lights ⑥.

NOTE

Lower interior lights located inboard of driver and passenger upper door hinges, and at center control panel.

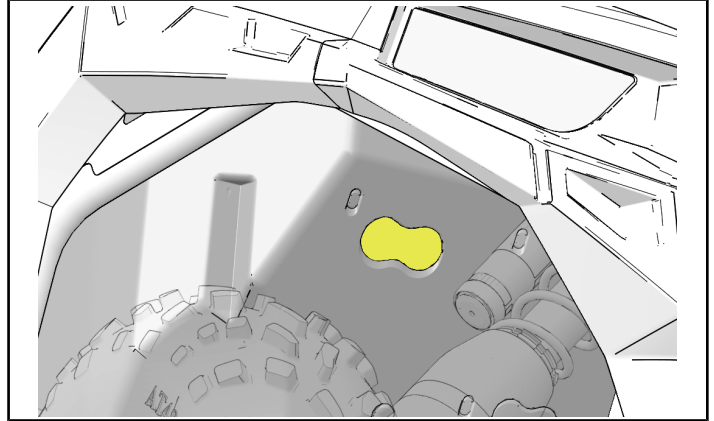


- 4. Install heater core ⑨.

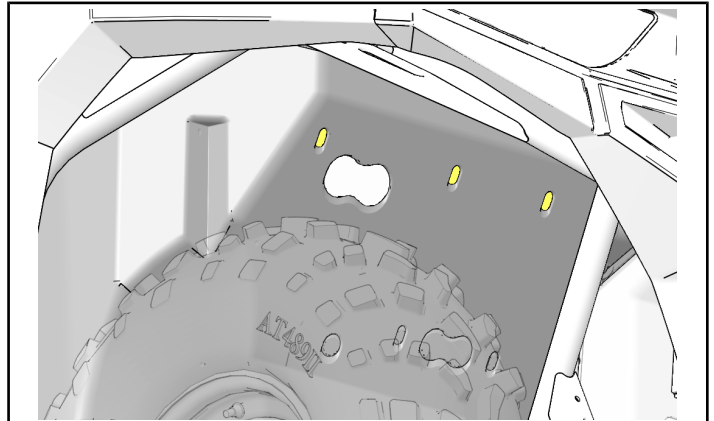
- a. Cut figure-eight shaped opening in firewall for coolant line fittings. Debur opening.

IMPORTANT

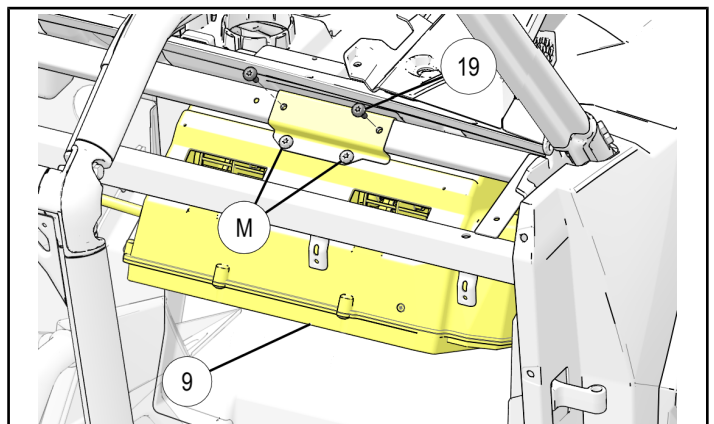
Two figure-eight shaped markings exist in firewall. Ensure ONLY UPPER OUTBOARD marking is cut.



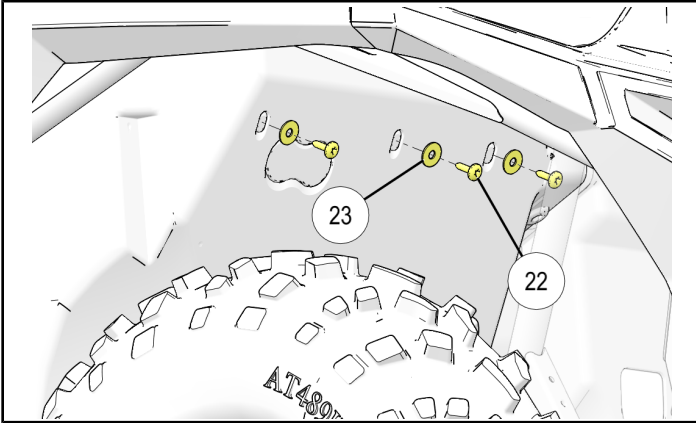
- b. Drill three 5/16 inch (8 mm) holes in firewall for heater core mounting screws ⑳.



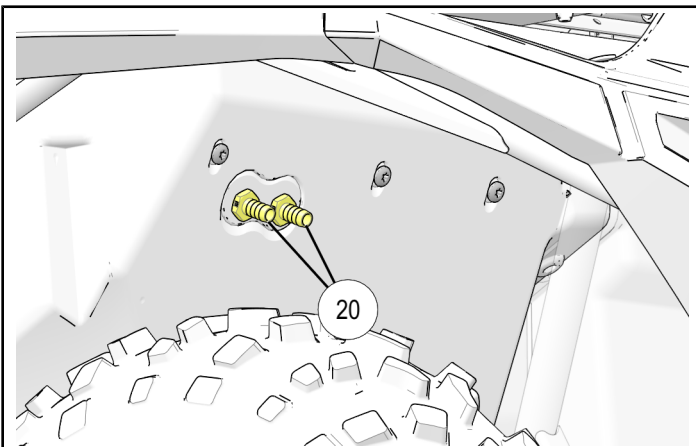
- c. Peel adhesive backing from foam gasket ㉑ and apply to front of heater core, centered over coolant line fitting holes.
- d. Hang heater core ⑨ on front dash support member. Tighten two screws ㉓, then loosely install two screws ㉒.



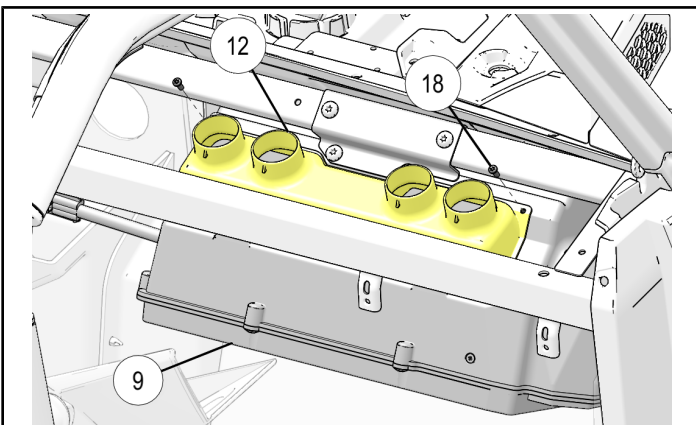
- e. Secure front of heater core to firewall using three each screws ⑫ and washers ⑬. Tighten screws.



- f. Tighten two screws ⑰ installed in previous Step d. Do not overtighten.
- g. Remove two plugs from heater core, then install two coolant line fittings ⑳ with thread sealing tape (not included). Tighten as required to prevent leaks.



- h. Insert two tabs on lower edge of manifold ⑫ into slots on front side of core ⑨, then secure top edge of manifold to core using two screws ⑱. Tighten screws.

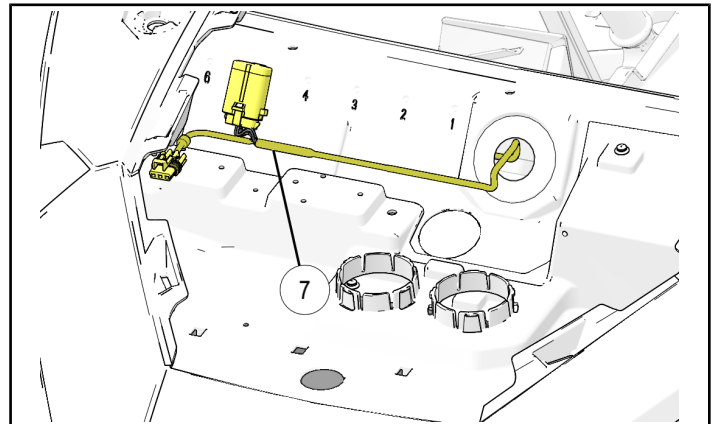


5. Route electrical harnesses.

- a. Route 4-pin connector on main heater harness ⑦ rearward through accessory firewall grommet, then connect to heater core. Ensure routing prevents contact with hot components, sharp edges, or moving parts. Secure harnesses with cable ties ⑤ as required.

NOTE

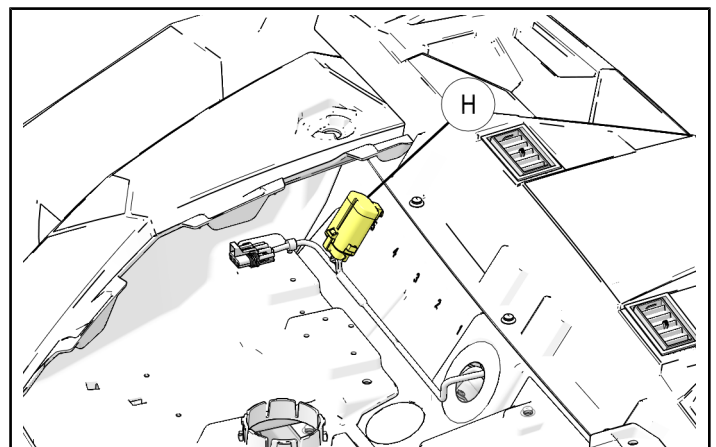
Firewall grommet may be temporarily removed to facilitate harness passage.



- b. Drill out one accessory plug (1/4 inch / 6 mm) on under-hood liner, then install relay/fuse block ① using attached fir tree clip.

IMPORTANT

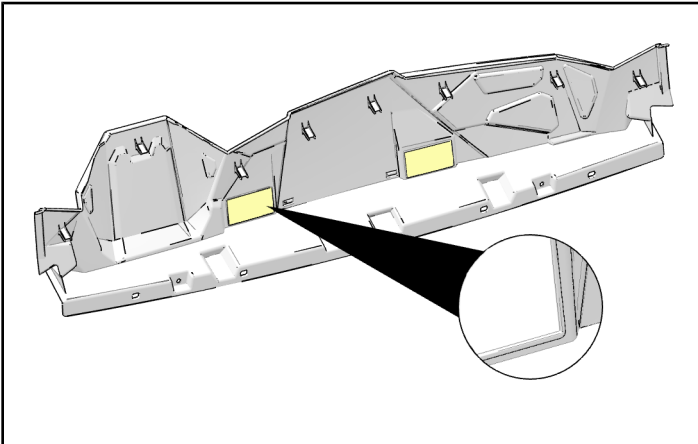
Control drill depth to prevent damage to underlying structure or components.



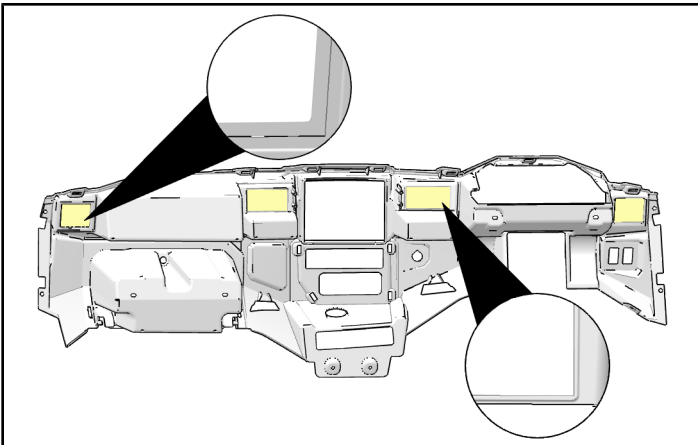
- c. Route main heater harness switch panel connectors rearward towards center control panel.

6. Cut vent openings.

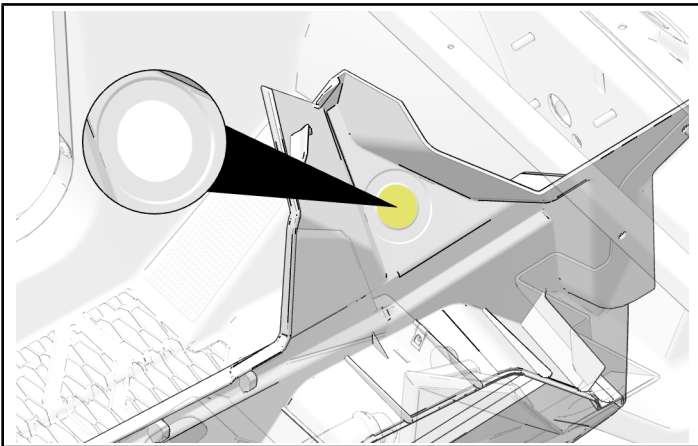
- a. UPPER DASH PANEL: Cut two rectangular vent (defrost) openings along **INSIDE EDGE** of recessed markings. Debur openings.



- b. MAIN DASH PANEL: Cut two rectangular vent openings and two square vent openings along **INSIDE EDGE** of recessed markings. Debur openings.

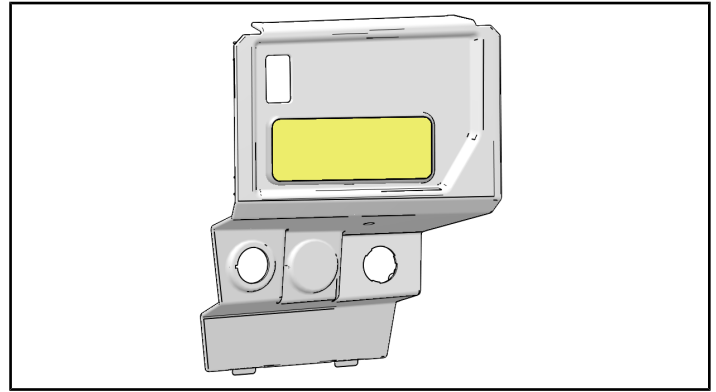


- c. CENTER CONSOLE SIDE PANELS (LH and RH): Using 2-1/2 inch (64 mm) hole saw, cut hole at center of recessed markings.

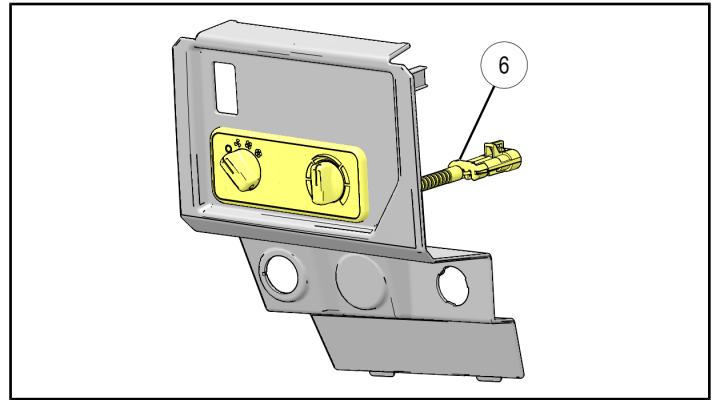


7. Install heater controls.

- a. Carefully cut out marked rectangular area from control panel (visible on inside of panel). Debur opening.



- b. Orient switch panel ⑥ so blower control is on LH side and temperature control is on RH side, then install into opening until tabs lock in place.

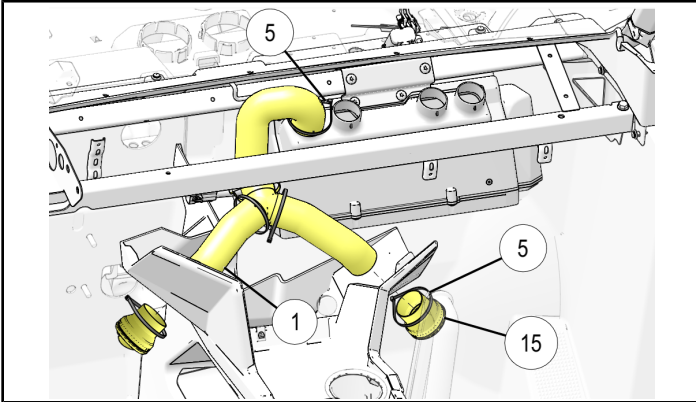


8. Route and secure ducting.

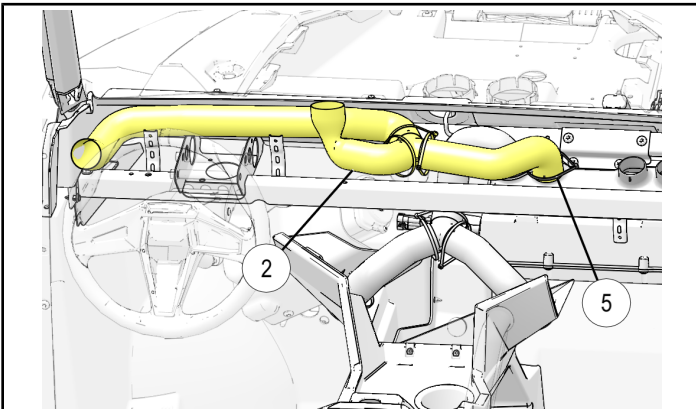
NOTE

Ducts and corresponding heater core outlets are numbered 1-4. Match duct number to heater core outlet number.

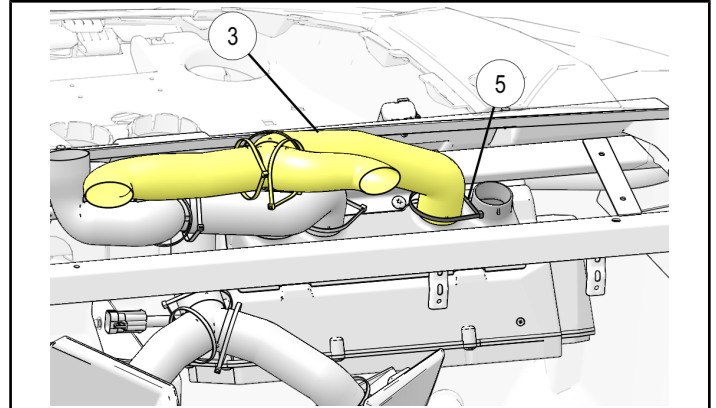
- a. Duct ①: Route from heater core down to LH/RH lower vent openings. Disassemble vent ⑮ by unscrewing vent outlet from vent body. Attach duct to vent body using cable tie ⑤, insert vent body into opening, then thread vent outlet back onto vent body. Secure duct at heater core with cable tie ⑤.



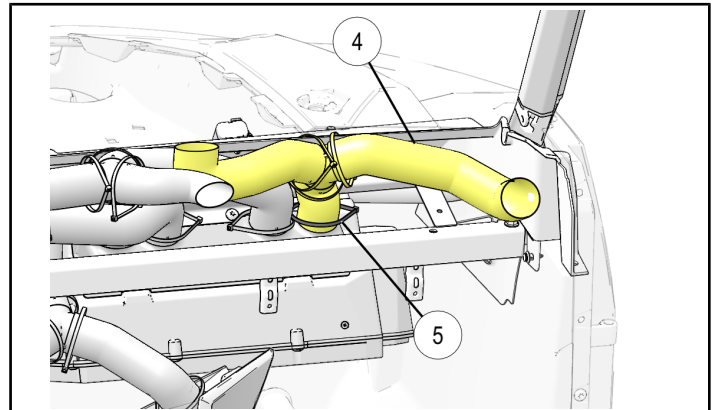
- b. Duct ②: Route from heater core to LH outboard dash and LH defrost. Secure duct at heater core with cable tie ⑤.



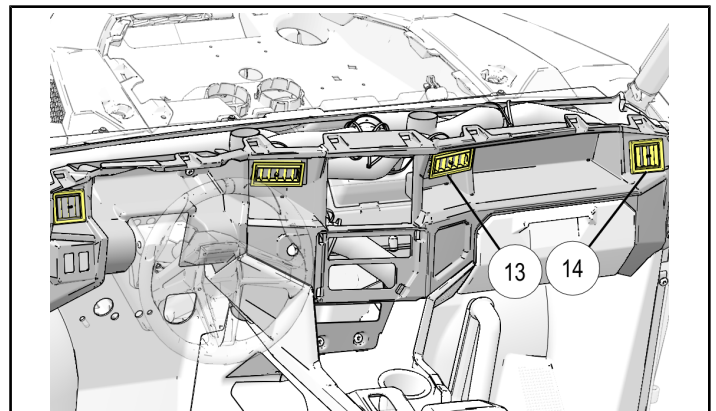
- c. Duct ③: Route from heater core to LH/RH inboard dash. Secure duct at heater core with cable tie ⑤.



- d. Duct ④: Route from heater core to RH outboard dash and RH defrost. Secure duct at heater core with cable tie ⑤.



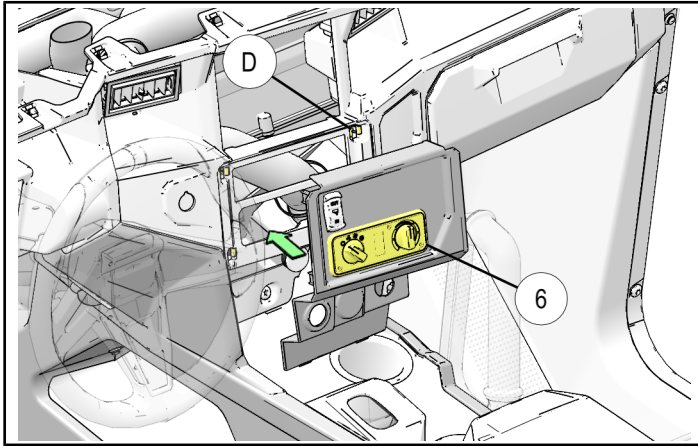
- e. Lift main dash panel into position, carefully pulling ducts ②, ③, and ④ through corresponding dash vent openings. Use cable ties ⑤ to secure outboard ducts to square vents ⑭ and inboard ducts to rectangular vents ⑬. Snap vents into openings.



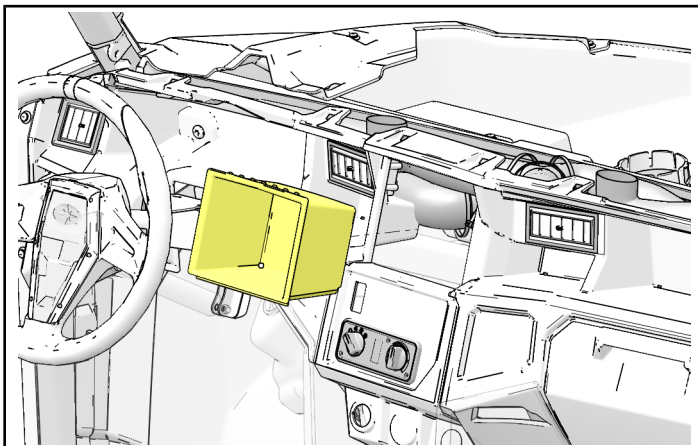
- f. Carefully reconnect electrical harnesses and lower interior lights, then reinstall main dash panel using retained fasteners: four push pin rivets ⑥ and six screws ⑦. Reference Step 3d.

- g. Push LH and RH center console side panels back into place, re-engaging tabs **(N)** and **(P)**. See Step 3d. v.
- h. Connect main heater harness to switch panel **(6)**, and reconnect any other electrical harnesses. Ensure routing prevents contact with hot components, sharp edges, or moving parts. Secure harnesses with cable ties **(5)** as required.

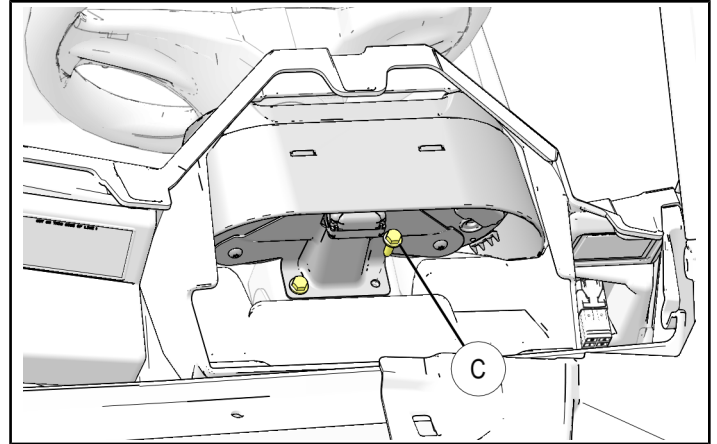
Reinstall center control panel, engaging two lower tabs before engaging upper four spring clips **(D)**.



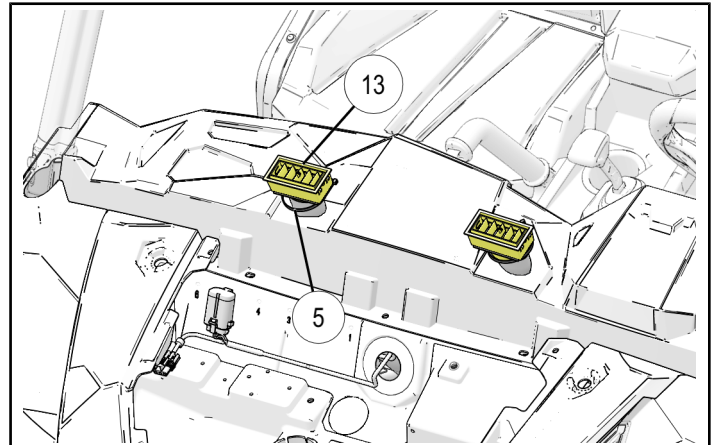
- i. Reinstall center storage box by hooking lower edge of box in dash opening, then tip upper edge of box into dash until locking tabs snap into dash panel.



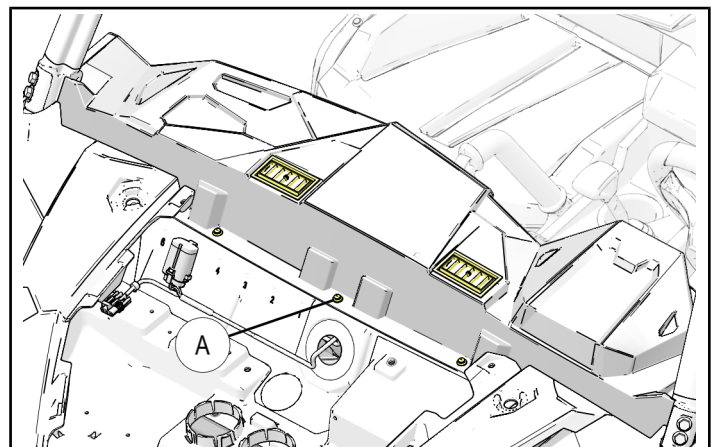
- j. Carefully connect instrument cluster electrical harness, then reinstall instrument cluster using retained hex head screws **(C)**.



- k. Place upper dash panel into position, carefully pulling ducts **(2)** and **(4)** through corresponding defrost vent openings. Secure ducts to rectangular vents **(B)** with cable ties **(5)**, then snap vents into openings.



- l. Re-engage upper dash panel spring clips and reinstall five push pin rivets **(A)**. Reference Step 3c.



9. Install cooling system components.

⚠ WARNING

Always wear safety goggles and proper shop clothing when performing this procedure. Failure to do so may result in severe injury or death.

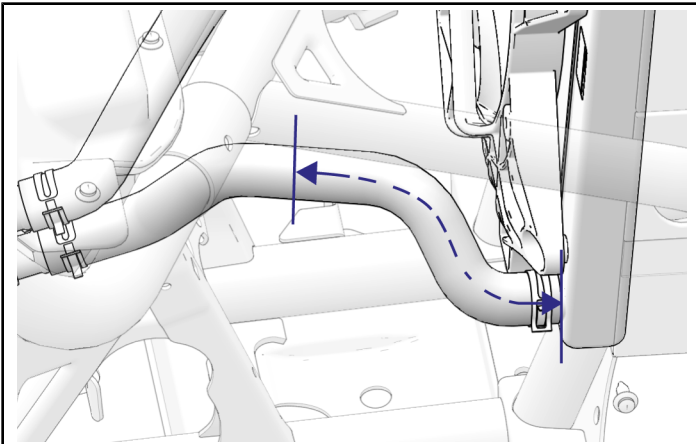
⚠ WARNING

Ensure engine is COOL before performing the following steps. Hot cooling system will be pressurized, and opening system may result in uncontrolled release of hot coolant, resulting in severe burns or other injuries.

- a. Install RETURN/COLD hose assembly.
 - i. Mark existing hose approximately 7 inches (180 mm) from RH/LOWER radiator attach fitting. Ensure marked location provides adequate access for tee installation.

NOTE

Measurement to be taken along hose centerline.



- ii. Position hose assembly ⑩ tee at mark and route opposite end to heater core LH/INBOARD coolant line fitting. Ensure routing will prevent chafing against vehicle components or contact with moving parts, taking into consideration suspension travel and steering operation.

NOTE

Item ⑩ "Coolant Hose Assemblies" contains TWO identical heater hose assemblies, each with an attached tee fitting.

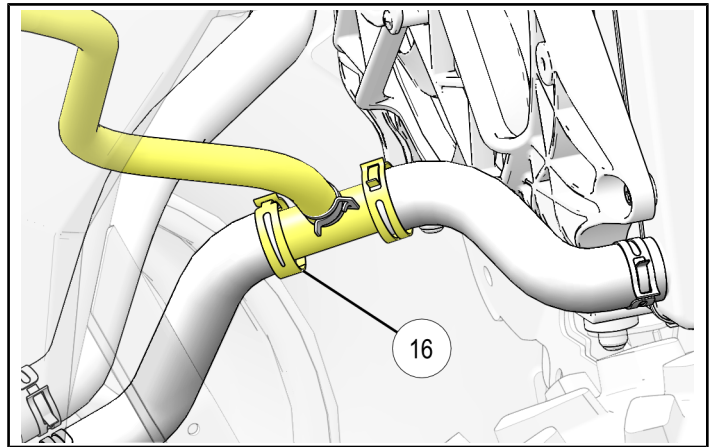
One of these assemblies will be used for RETURN/COLD in this step, and the other for SUPPLY/HOT (in Step b).

- iii. Ensure tee is still in proper location, then cut hose assembly ⑩ to required length.

- iv. Using two pinch-off pliers, clamp existing hose approximately 4 inches (100 mm) from each side of mark.
 - v. Position drain pan as required, then cut and remove 1 inch (25 mm) of hose at mark (0.5 inch (13 mm) on each side of mark).
 - vi. Install newly cut hose ends to tee on hose assembly ⑩ using two 1-1/4 inch hose clamps ⑯. Ensure clamp orientation will not chafe against vehicle components. Torque clamps to specification.

TORQUE

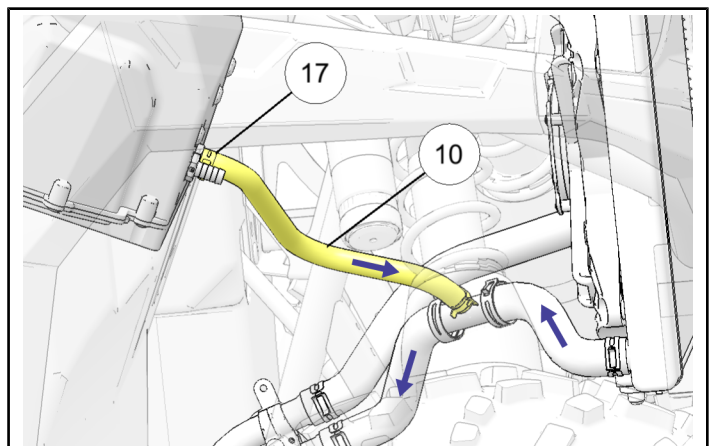
5 ft. lbs. (7 Nm) ± 10%



- ii. Install hose assembly ⑩ to "OUT" coolant line fitting ⑳. Ensure hose is fully seated, then secure with 20 mm hose clamp ⑰.

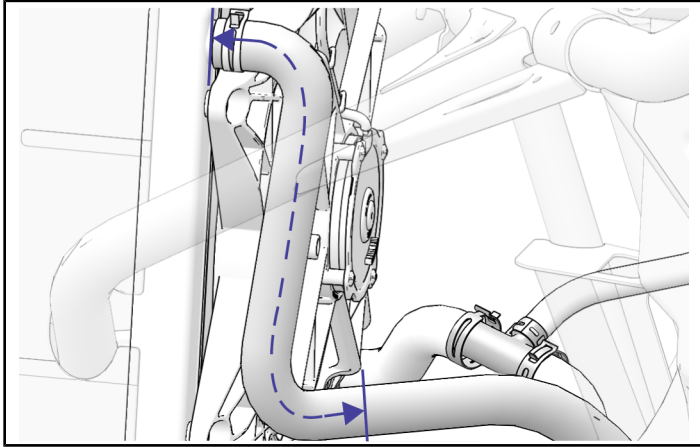
NOTE

Coolant flow direction shown in figure.



- iii. Install third pinch-off pliers on newly installed RETURN/COLD hose assembly ⑩ to prevent heater core from filling with coolant.
 - ix. Remove pinch-off pliers from both sides of tee.

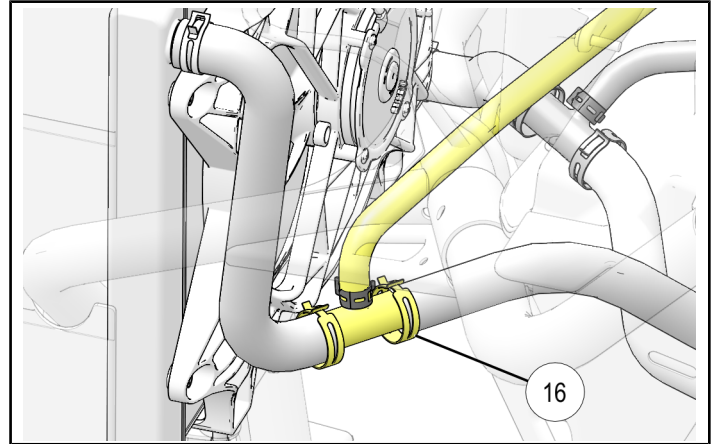
- b. Install SUPPLY/HOT hose assembly.
 - i. Mark existing hose approximately 18 inches (460 mm) from UPPER/LH radiator attach fitting. Ensure marked location provides adequate access for tee installation.



- ii. Position hose assembly ⑩ tee at mark and route opposite end to heater core RH/OUTBOARD coolant line fitting. Ensure routing will prevent chafing against vehicle components or contact with moving parts, taking into consideration suspension travel and steering operation.
- iii. Ensure tee is still in proper location, then cut hose assembly ⑩ to required length.
- iv. Using two pinch-off pliers, clamp existing hose approximately 4 inches (100 mm) from each side of mark.
- v. Position drain pan as required, then cut and remove 1 inch (25 mm) of hose at mark (0.5 inch (13 mm) on each side of mark).

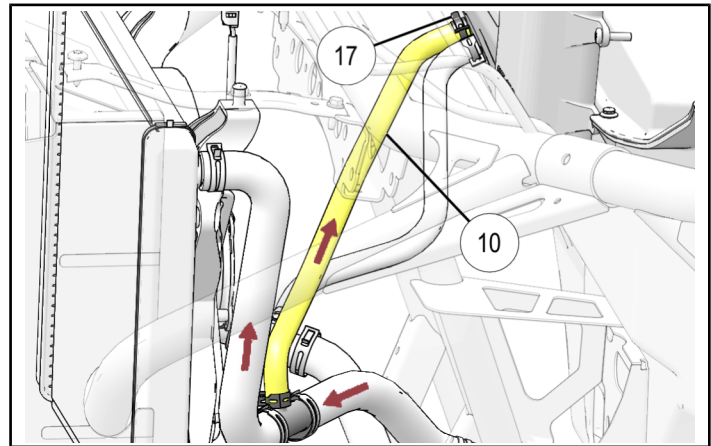
- vi. Install newly cut hose ends to tee on hose assembly ⑩ using two 1-1/4 inch hose clamps ⑯. Ensure clamp orientation will not chafe against vehicle components. Torque clamps to specification.

TORQUE
5 ft. lbs. (7 Nm) ± 10%



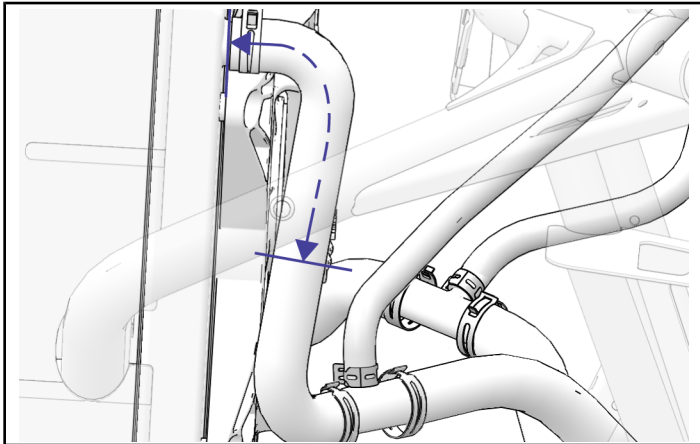
- vii. Install hose assembly ⑩ to "IN" coolant line fitting ⑳. Ensure hose is fully seated, then secure with 20 mm hose clamp ㉑.

NOTE
Coolant flow direction shown in figure.



- viii. Remove pinch-off pliers from both sides of tee, and from RETURN/COLD hose assembly.

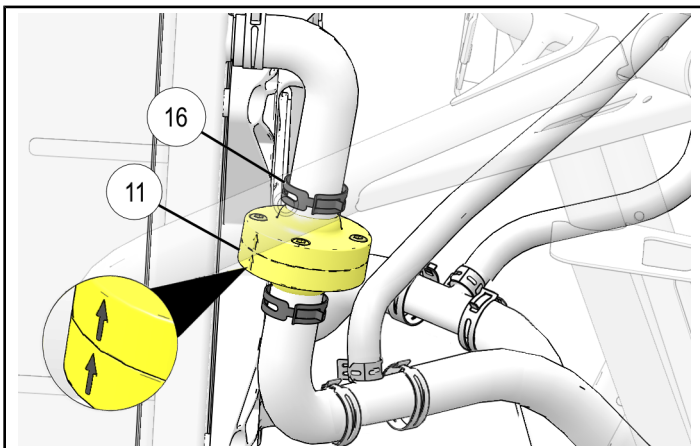
- c. Install thermostat in SUPPLY/HOT hose.
 - i. Mark existing hose approximately 7 inches (180 mm) from UPPER/LH radiator attach fitting for thermostat installation.



- ii. Using two pinch-off pliers, clamp hose approximately 4 inches (100 mm) from each side of mark.
- iii. Position drain pan as required, then cut and remove 2 inches (50 mm) of hose at mark (1 inch (25 mm) on each side of mark).
- iv. Install newly cut hose ends to thermostat ⑪ with two 1-1/4 inch hose clamps ⑯. Ensure clamp orientation will not chafe against vehicle components.

IMPORTANT

Ensure thermostat is oriented so **ARROW POINTS TOWARDS RADIATOR.**



- v. Remove pinch-off pliers.

IMPORTANT

NO pinch-off pliers should be installed at this point.

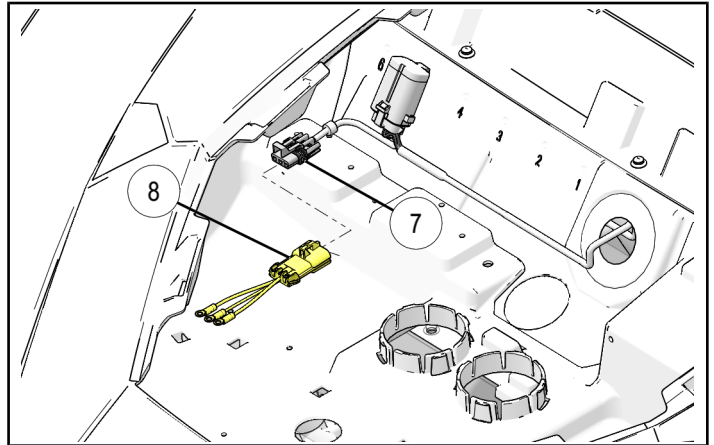
- 10. Connect main heater harness to terminal block.

FOR VEHICLES WITH SIX POSITION ACCESSORY TERMINAL BLOCK:

Connect main heater harness ⑦ directly to terminal block at any open location.

FOR VEHICLES WITH THREE POST TERMINAL BLOCK:

- a. Connect main heater harness ⑦ to adapter harness ⑧.



- b. Connect adapter harness ⑧ ring terminals to terminal block posts as follows:
 - i. Red harness wire to terminal post with existing red wire (unswitched 12V POS)
 - ii. Orange/white stripe harness wire to terminal post with existing orange wire (accessory switched 12V POS)
 - iii. Brown harness wire to terminal post with existing black wire (12V NEG)

- 11. Reconnect black negative (-) cable to battery, then reinstall battery access cover and seat.

12. Bleed cooling system.

⚠ WARNING

Always wear safety goggles and proper shop clothing when performing this procedure. Failure to do so may result in severe injury or death.

⚠ WARNING

Follow all chemical manufacturer instructions and safety precautions. Failure to follow all manufacturer instructions and precautions may result in severe injury or death.

NOTE

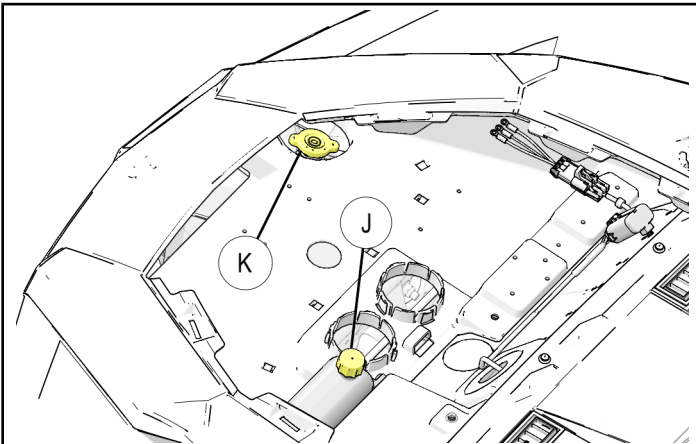
It is suggested two people perform this procedure: one to fill radiator, and one to monitor bleed screw.

- a. Allow engine to cool to room temperature.
- b. Place drain pan beneath front of engine.

⚠ WARNING

Do NOT remove radiator pressure cap when system is hot. Hot cooling system will be pressurized, and opening system will result in uncontrolled release of hot coolant, resulting in severe burns or other injuries.

- c. Remove coolant recovery bottle cap ① and radiator pressure cap ②. Fill recovery bottle to MAX COLD line and radiator to filler neck with **Polaris Antifreeze 50/50 Pre-Mix**. Leave both caps off at this time.



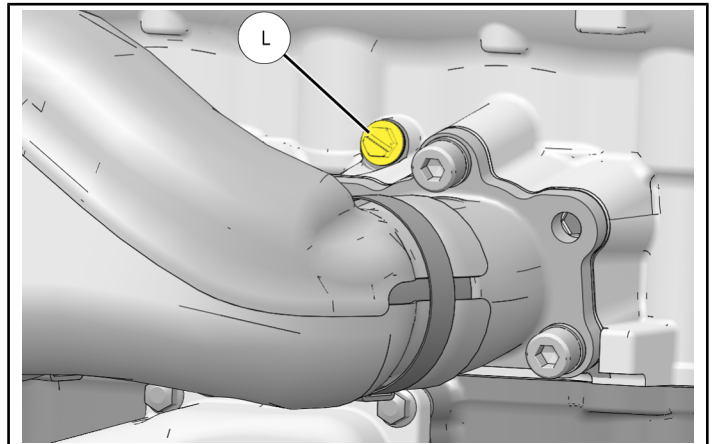
- d. Open heater core valve.

- i. Turn ignition key to “ON” position. Do NOT start engine.
- ii. Turn heater temperature control to full HOT. Wait 10 seconds.
- iii. Turn ignition switch to “OFF” position and remove key.

NOTE

Heater fan speed position is irrelevant.

- e. Raise vehicle bed and lift heat shield above front of engine to access coolant bleed screw ③.



- f. Use 5/16 inch socket to loosen bleed screw ③ until escaping air can be heard (approximately 2 full turns). Do NOT remove bleed screw.
- g. Add **Polaris Antifreeze 50/50 Pre-Mix** to radiator as coolant fills heater system. Stop filling when a steady stream of coolant drains from bleed screw ③.
- h. Close bleed screw and torque to specification.

TORQUE

89 in. lbs. (10 Nm) ± 10%

- i. Fill radiator to filler neck and reinstall pressure cap ②.
- j. Fill coolant recovery bottle to MAX COLD line and reinstall cap ①.
- k. Start engine, leaving heater temperature control at full hot and turning heater fan to high speed.

⚠ WARNING

Do NOT remove radiator pressure cap when system is hot. Hot cooling system will be pressurized, and opening system will result in uncontrolled release of hot coolant, resulting in severe burns or other injuries.

- I. Allow engine to idle until radiator fan has cycled 2 times, **OR** until 215° F (102° C) temperature limit is reached.

While engine is warming up perform the following steps:

- i. Monitor engine/coolant temperature at all times. If temperature exceeds 215° F (102° C), then IMMEDIATELY shut off engine, allow engine to cool to room temperature, and re-bleed system.
- ii. Monitor coolant level in recovery bottle. Add coolant as required.

NOTE

If leaks are present cooling system may not draw coolant from recovery tank.

- iii. Inspect system for leaks. Repair leaks as required, allowing engine to cool to room temperature before opening system.

- m. Test heater operation. If inadequate heat is present allow engine to cool to room temperature, then re-bleed system.



TIP

Before re-bleeding properly lift and safely support front of vehicle 12–18 inches above rear of vehicle. Elevation will increase effectiveness of bleed process.

- n. Allow engine to cool to room temperature.

⚠ WARNING

Do NOT remove radiator pressure cap when system is hot. Hot cooling system will be pressurized, and opening system will result in uncontrolled release of hot coolant, resulting in severe burns or other injuries.

- o. Remove coolant recovery bottle cap  and radiator pressure cap , then fill recovery bottle to MAX COLD line and radiator to filler neck. Reinstall caps.

IMPORTANT

Periodically check coolant level during first few hours of operation.

- p. Push engine heat shield back into position and lower vehicle bed.
- q. Properly dispose of any drained coolant per local and/or state regulations.

13. Reinstall windshield (if removed).

14. Reinstall hood.

FEEDBACK FORM

A feedback form has been created for the installer to provide any comments, questions or concerns about the installation instructions. The form is viewable on mobile devices by scanning the QR code or by clicking [HERE](#) if viewing on a PC.

