

STANDARD REAR BUMPER KIT



P/N 2881661

APPLICATION

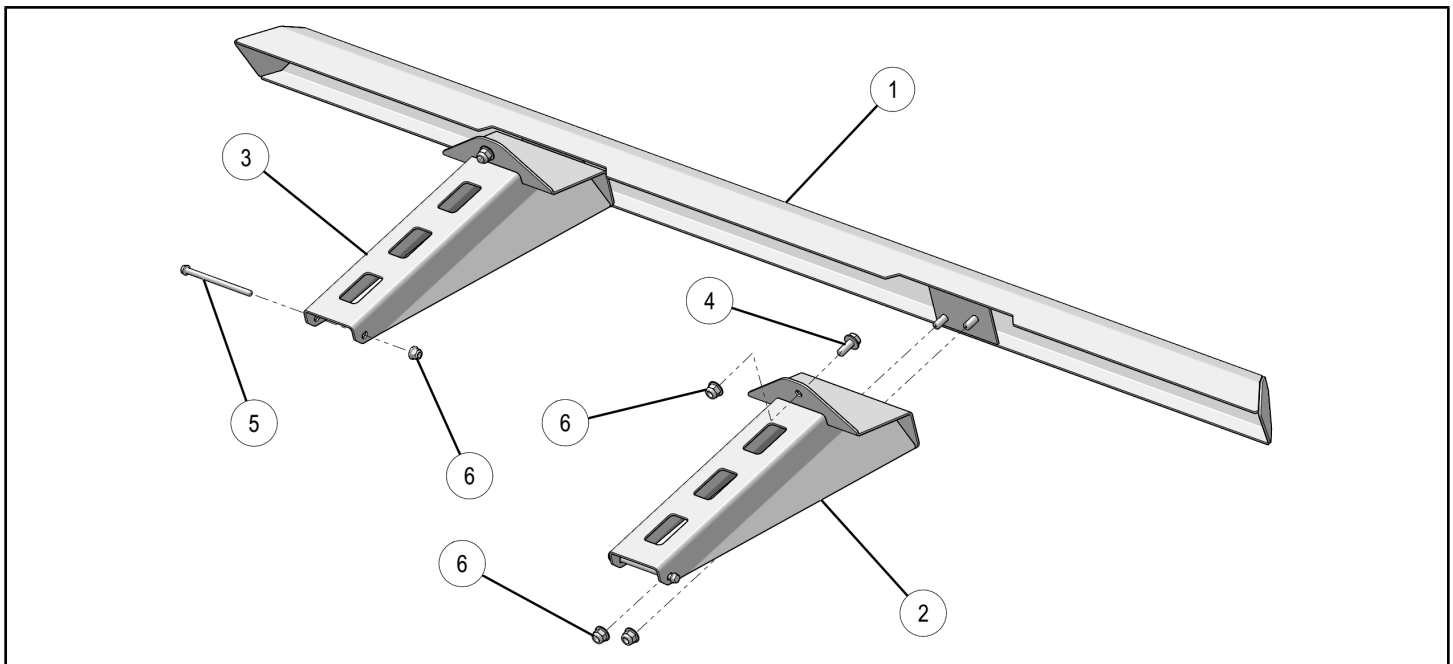
Verify accessory fitment at Polaris.com.

BEFORE YOU BEGIN

Read these instructions and check to be sure all parts and tools are accounted for. Please retain these installation instructions for future reference and parts ordering information.

KIT CONTENTS

This Kit includes:



REF	QTY	PART DESCRIPTION	PART NUMBER
1	1	Bumper	1022040
2	1	Support, LH - Long (MY16 Non-Crew/Crew, and MY17 and newer Crew) Support, LH - Short (MY17 and newer Non-Crew) (not shown)	1022041 1023120
3	1	Support, RH - Long (MY16 Non-Crew/Crew, and MY17 and newer Crew) Support, RH - Short (MY17 and newer Non-Crew) (not shown)	1022042 1023121
4*	2	Screw, Hex Flange - M8 X 1.25 X 20	7518702
5*	2	Screw, Hex Flange - M8 X 1.25 X 95	-
6*	8	Nut, Hex Flange, M8 X 1.25	7547454
	1	Instructions	9926729

Items marked (*) are included in Hardware Kit PN 2206197.

TOOLS REQUIRED

- Safety Glasses
- Socket Set, Metric

- Wrench Set, Metric
- Torque Wrench

IMPORTANT

Your STANDARD REAR BUMPER KIT is exclusively designed for your vehicle. Please read the installation instructions thoroughly before beginning. Installation is easier if the vehicle is clean and free of debris. For your safety, and to ensure a satisfactory installation, perform all installation steps correctly in the sequence shown.

ASSEMBLY TIME

Approximately 20 minutes

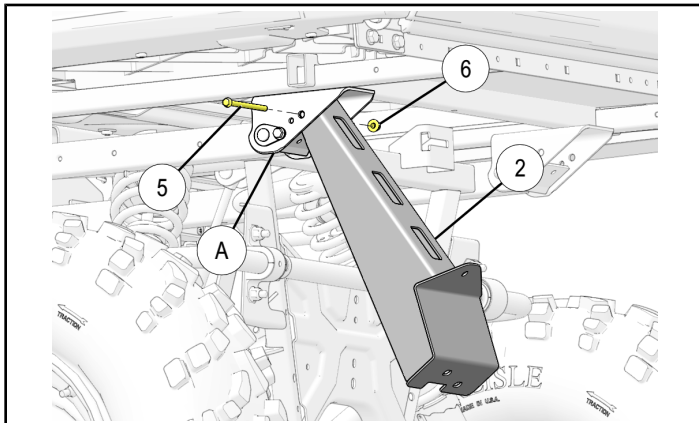
INSTALLATION INSTRUCTIONS

1. Place vehicle in "PARK". Turn key to "OFF" position and remove from vehicle.
2. Loosely install front end of LH support ② to box pivot bracket (A) using one screw ⑤ and nut ⑥ as shown. Ensure upper rear hole is used in box pivot bracket, and screw head is on outside of bracket.

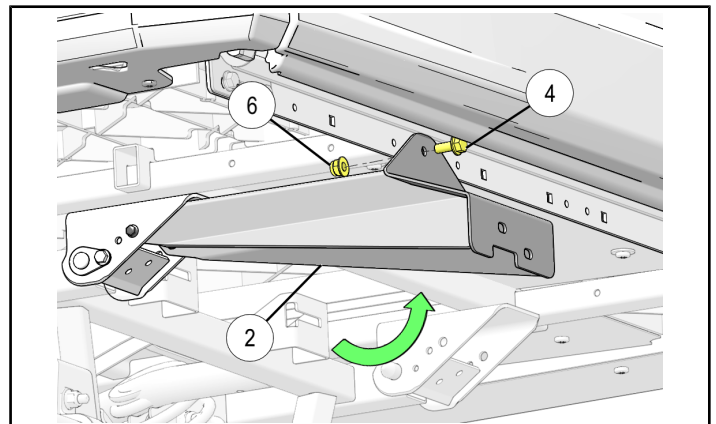
NOTE

Two LH supports ② and two RH supports ③ are included in this kit. See Kit Contents table for specific application.

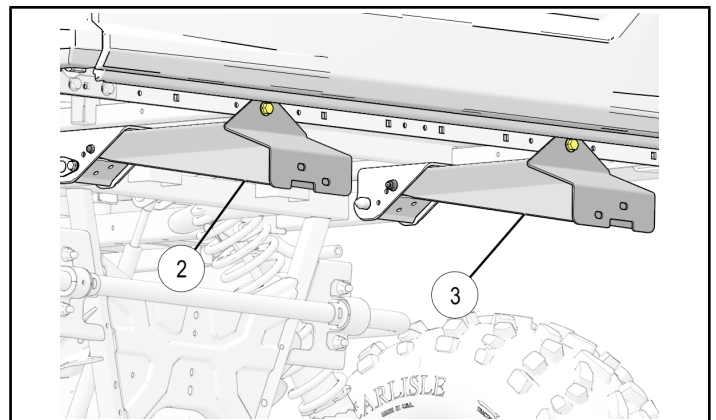
LH support ② and RH support ③ are similar except for orientation of rear bumper attach holes. See image in Step 4 for proper orientation.



3. Swing back end of LH support ② up and loosely install to tailgate support structure using one screw ④ and nut ⑥ as shown.



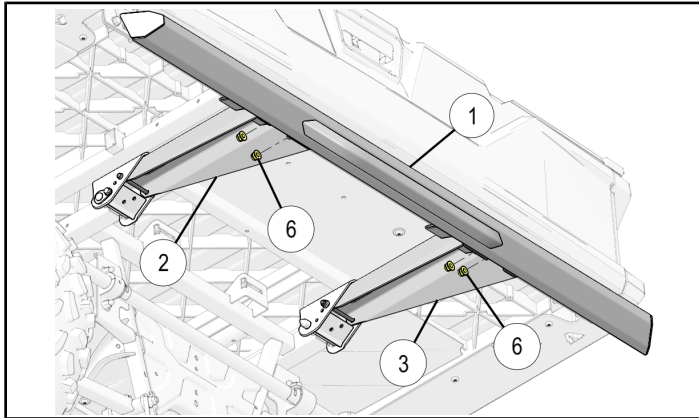
4. Repeat Steps 2-3 for RH support ③.



5. Loosely install bumper ① to supports ② ③ by inserting bumper studs through fastener holes and securing with nuts ⑥. Torque nuts to specification.

TORQUE

16 ft. lbs. (22 Nm)



6. Torque Step 2 fasteners ⑤ ⑥ and Step 3 fasteners ④ ⑥ to specification.

TORQUE

16 ft. lbs. (22 Nm)

FEEDBACK FORM

A feedback form has been created for the installer to provide any comments, questions or concerns about the installation instructions. The form is viewable on mobile devices by scanning the QR code or by clicking [HERE](#) if viewing on a PC.

FEEDBACK FORM

