

BUSBAR HARNESS KIT



P/N 2881646

APPLICATION

All RZR® S4 900, RZR XP® 4 1000 models

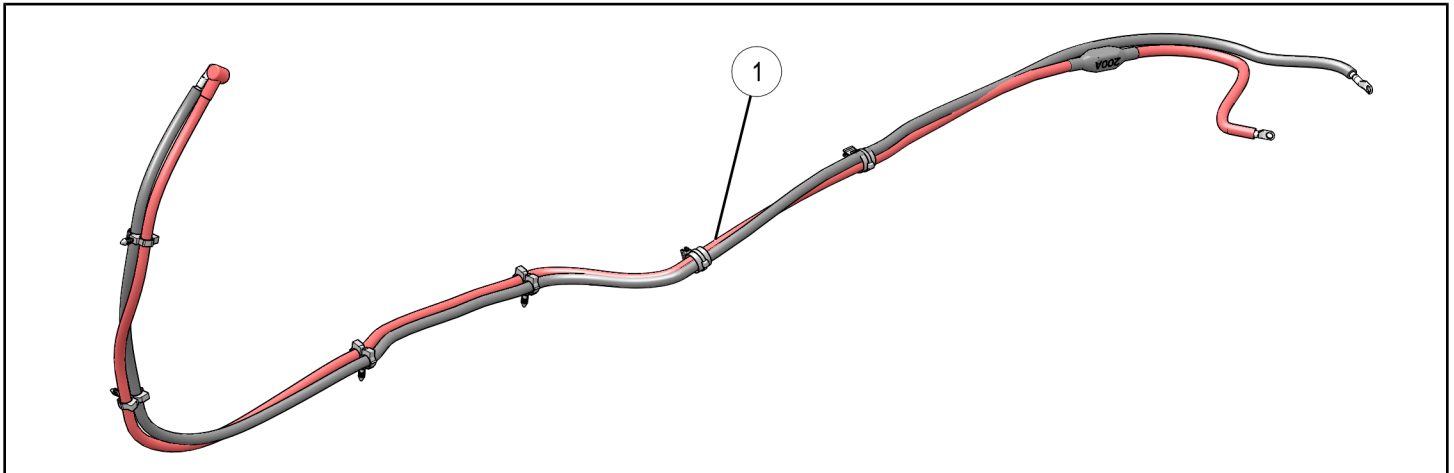
Verify accessory fitment at Polaris.com.

BEFORE YOU BEGIN

Read these instructions and check to be sure all parts and tools are accounted for. Please retain these installation instructions for future reference and parts ordering information.

KIT CONTENTS

This Kit includes:



REF	QTY	PART DESCRIPTION	PART NUMBER
1	1	Battery Cable, Terminal	4015880
	1	Instructions	9926726

TOOLS REQUIRED

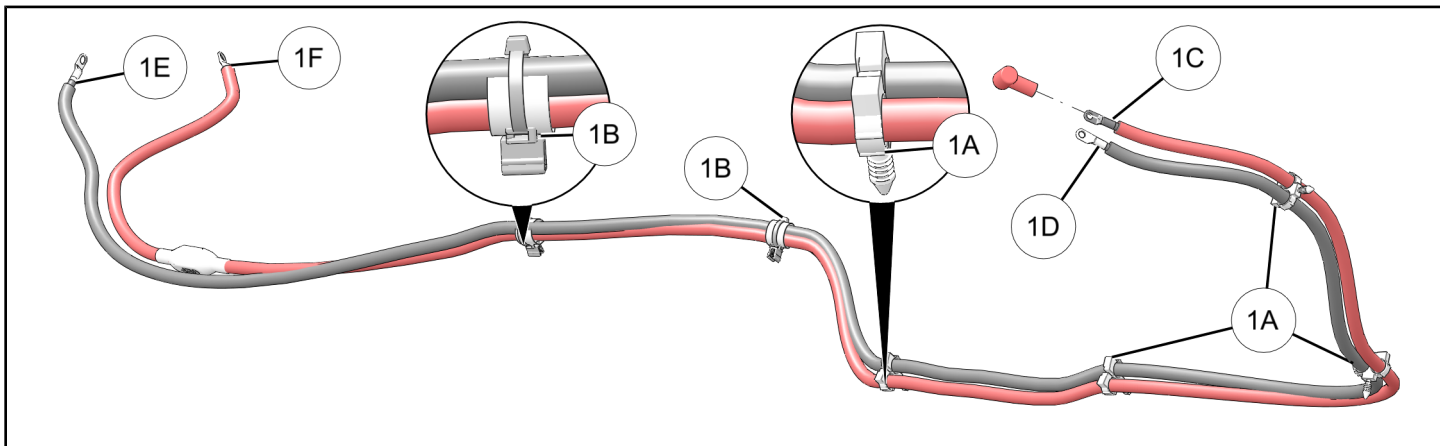
- Safety Glasses
- Screwdriver Set, Torx®
- Screwdriver, Slotted
- Socket Set, Metric
- Torque Wrench

IMPORTANT

Your Busbar Harness Kit is exclusively designed for your vehicle. Please read the installation instructions thoroughly before beginning. Installation is easier if the vehicle is clean and free of debris. For your safety, and to ensure a satisfactory installation, perform all installation steps correctly in the sequence shown.

HARNESS DETAIL

BUSBAR HARNESS ①:



REF	PART DESCRIPTION	WIRE COLOR	PIN QTY/ GENDER	CONNECTS TO
1A	Clip, Routing, Double	-	-	Vehicle structure
1B	Clip, Edge (Routing)	-	-	Vehicle structure
1C	Terminal, Ring (with boot) - 1/4 inch (6 mm)	Red	-	Terminal block positive (+); post may be identified as BAT
1D	Terminal, Ring - 1/4 inch (6 mm)	Black	-	Terminal block negative (-); post may be identified as GND
1E	Terminal, Ring - 1/4 inch (6 mm)	Black	-	Terminal block ①, stud BAT -
1F	Terminal, Ring - 1/4 inch (6 mm); may be identified as 12V BAT	Red	-	Terminal block ①, stud BAT +

INSTALLATION INSTRUCTIONS

1. Place vehicle in **PARK**. Turn key to **OFF** position and remove from vehicle.

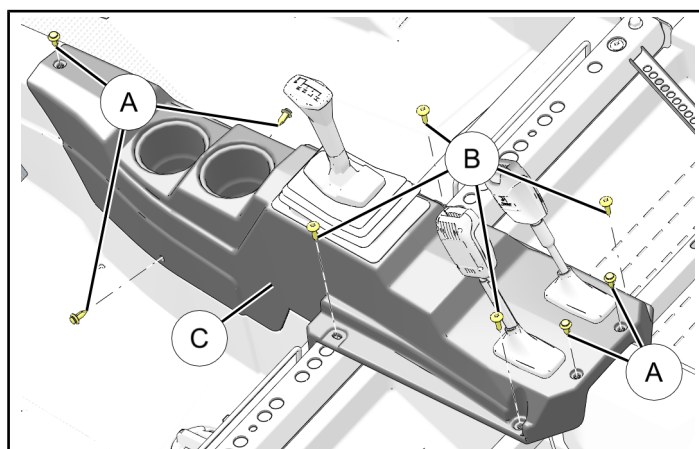
ACCESS VEHICLE CHASSIS

1. Remove and retain hood as per owner's manual.
2. Remove and retain four seats as per owner's manual.

3. Remove and retain five plastic rivets (A) and four screws (B) to remove and retain front center console (C).

NOTE

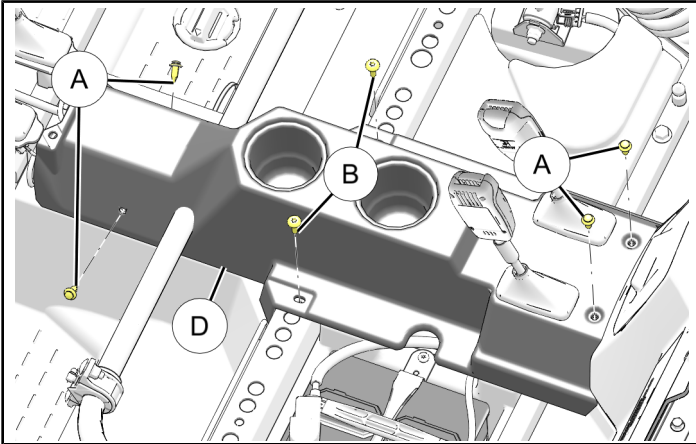
Shift boot and seat belt boots can be pushed through console openings.



- Remove and retain four plastic rivets (A) and two screws (B) to remove and retain rear center console (D).

NOTE

Seat belt boots can be pushed through console openings.



CONNECT BUSBAR HARNESS

WARNING

Failure to properly connect harness to terminal block and battery as directed below may result in personal injury or damage to equipment.

NOTE

Refer to *Harness Detail* section for connector identification.

- Disconnect battery as per owner's manual. Disconnect negative (-) cable from battery, then disconnect positive (+) cable from battery.

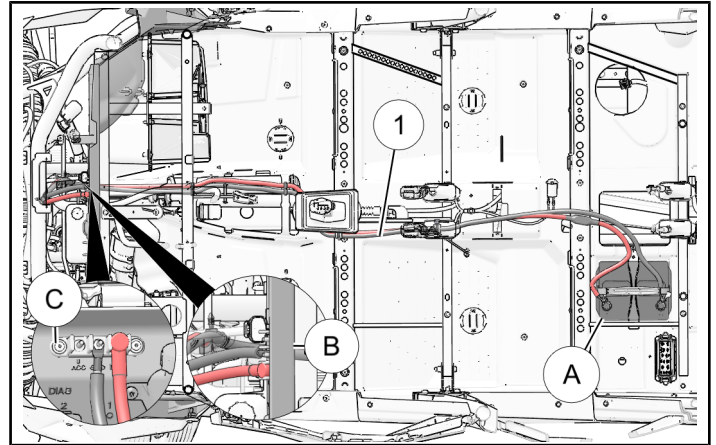
WARNING

Do not connect busbar harness (1) to battery at this time. Battery may short, resulting in personal injury or damage to equipment.

- Route busbar harness (1) from battery (A) through center console openings, beneath firewall (B), and up to terminal block (C).

IMPORTANT

Loosely route harness; do not secure at this time.

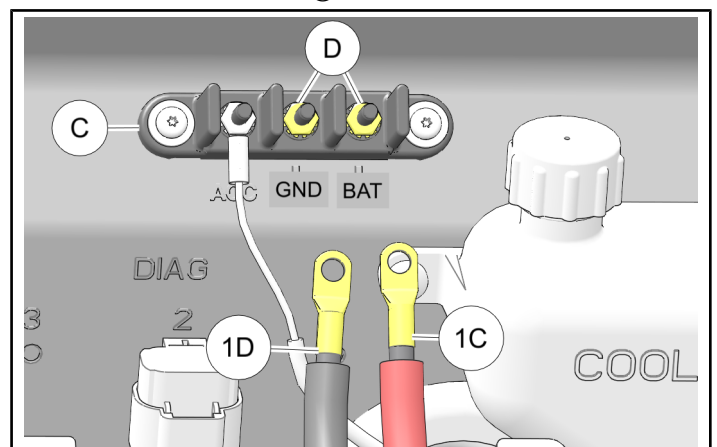


- Connect harness ring terminals to terminal block (C).
 - Remove and retain two nuts (D).
 - Connect ring terminal 1D (black harness) of busbar harness (1) to terminal block post labeled **GND**. Secure with one nut (D).
 - Connect ring terminal 1C (red harness) of busbar harness (1) to terminal block post labeled **BAT**. Secure with one nut (D).
 - Torque two nuts (D) to specification.

TORQUE

24 in. lbs. (3 Nm)

- Place terminal cap over ring terminal 1C of busbar harness (1).



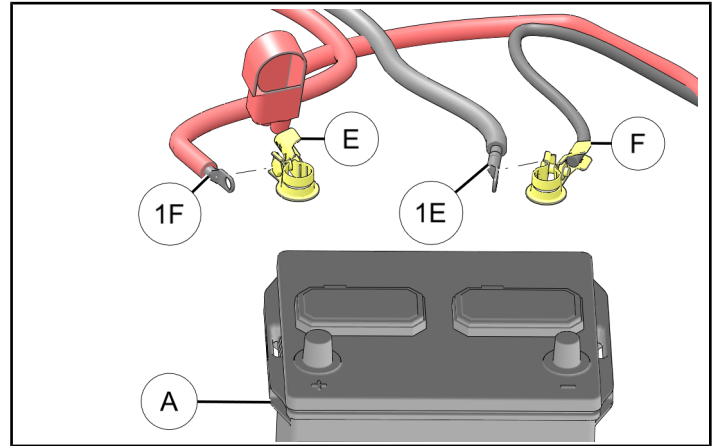
4. Connect busbar harness ① to battery.
 - a. Positive (+)
 - i. Remove nut and fastener from positive (+) cable compression terminal.
 - ii. Install ring terminal 1F (red cable) of busbar harness ① beneath fastener head of positive (+) compression terminal ⑤.
 - iii. Reinstall fastener and nut.
Torque fastener to specification.

TORQUE
60 in. lbs. (7 Nm)

- iv. Reconnect red positive (+) battery cable to positive battery terminal and tighten fastener.
- v. Reinstall red boot (if present).
- b. Negative (-)
 - i. Remove nut and fastener from negative (-) battery compression terminal.
 - ii. Install ring terminal 1E (black cable) of busbar harness ① beneath fastener head of negative (-) compression terminal ⑥.
 - iii. Reinstall fastener and nut.
Torque fastener to specification.

TORQUE
60 in. lbs. (7 Nm)

- iv. Reconnect black negative (-) battery cable to negative battery terminal and tighten fastener.



5. Use four double routing clips 1A and two edge clips 1B of busbar harness ①. Protect harness as required to prevent chafing against sharp edges or moving parts.

REASSEMBLE VEHICLE

1. Reinstall rear center console ④ with four plastic rivets ① and two screws ②.
Torque two screws ② to specification.

TORQUE
8 ft. lbs. (11 Nm)

2. Reinstall front center console ③ with five plastic rivets ① and four screws ②.
Torque two screws ② to specification.

TORQUE
8 ft. lbs. (11 Nm)

3. Reinstall four seats as per owner's manual.
4. Reinstall hood as per owner's manual.

FEEDBACK FORM

A feedback form has been created for the installer to provide any comments, questions or concerns about the installation instructions. The form is viewable on mobile devices by scanning the QR code or by clicking [HERE](#) if viewing on a PC.

