

WIRELESS REMOTE KIT



P/N 2881287

APPLICATION

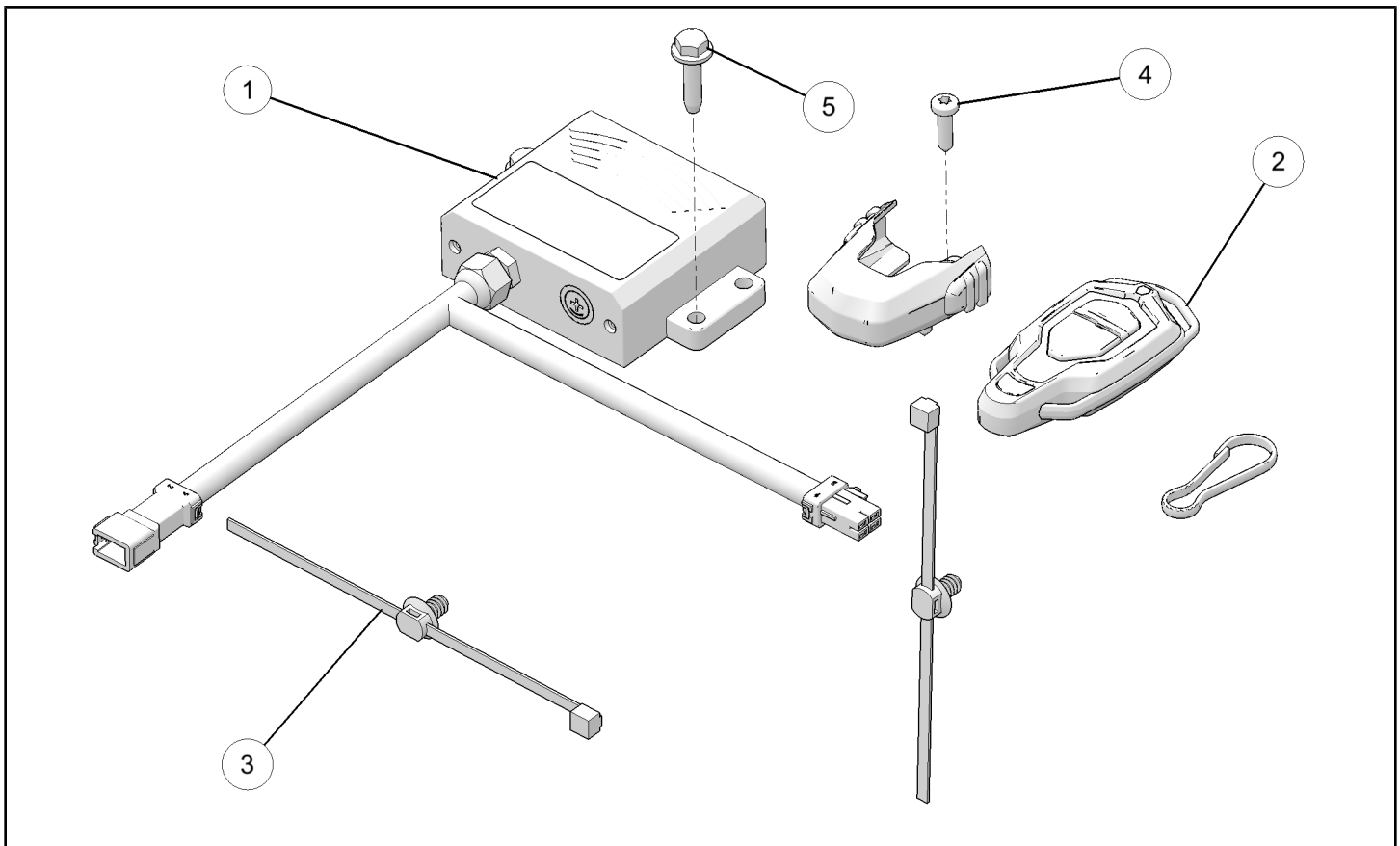
Verify accessory fitment at Polaris.com.

BEFORE YOU BEGIN

Read these instructions and check to be sure all parts and tools are accounted for. Please retain these installation instructions for future reference and parts ordering information.

KIT CONTENTS

This Kit includes:



REF	QTY	PART DESCRIPTION	PART NUMBER
1	1	Receiver - Wireless, Winch	2413342
2	1	Remote - Wireless, Winch	2413343
3	2	Clip - Routing	7081496
4	6	Screw, #10 X 3/4	7512026
5	2	Screw - M6 X 1.0 X 25	7519342
	1	Instructions	9926641

TOOLS REQUIRED

- 10 mm Socket and Ratchet
- T25 Torx

IMPORTANT

Your WIRELESS REMOTE KIT is exclusively designed for your vehicle. Please read the installation instructions thoroughly before beginning. Installation is easier if the vehicle is clean and free of debris. For your safety, and to ensure a satisfactory installation, perform all installation steps correctly in the sequence shown.

ASSEMBLY TIME

Approximately 30 minutes

INSTALLATION INSTRUCTIONS

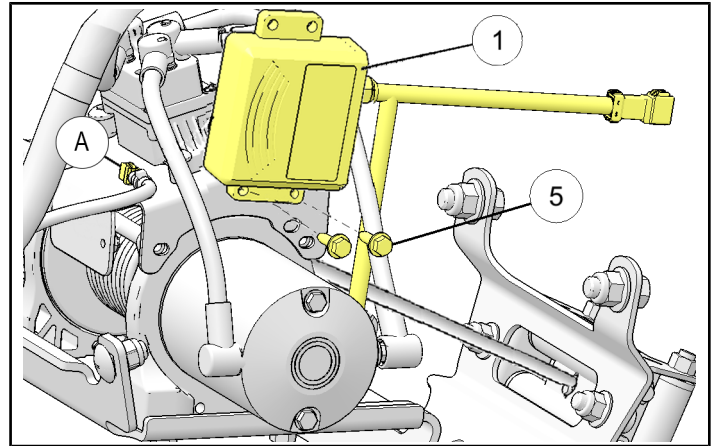
1. Locate the mounting feature for attaching the wireless remote to the winch assembly.

NOTE

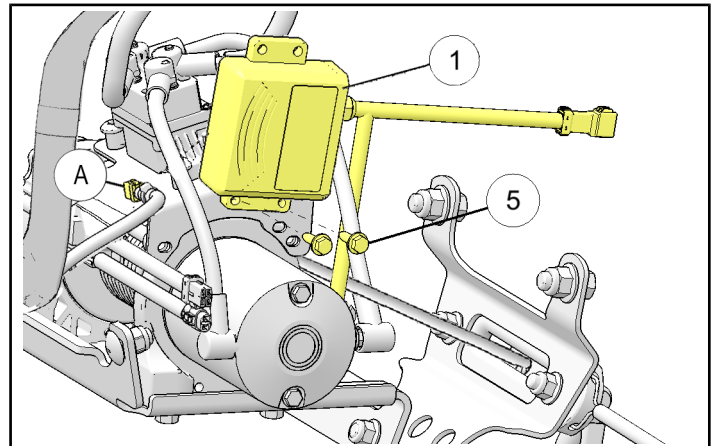
It may be easier to remove the front fascia for this installation, but is not required.

2. Install the black control box ① using two M6 self-tapping screws ⑤. Screws pass through the black control box into the mounting bracket. Tighten until fasteners are snug.
3. Disconnect the main vehicle wire harness (A) from contactor (if Autostop is not connected) or disconnect the main vehicle wire harness from Autostop connection if installed. Refer to block diagram on last page of instructions.

Without Autostop Kit

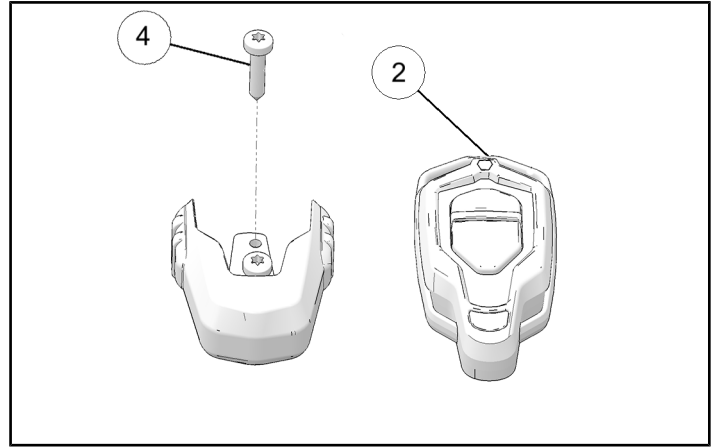


With Autostop Kit



4. Reconnect the main vehicle wire harness to the mating connector on the wireless remote. Connect the other connector on the wireless remote to contactor or Autostop control box if installed. Refer to block diagram on last page of instructions.
5. Confirm function of the wireless remote by operating the wireless remote with the vehicle key in the "ON" position. To turn the wireless remote on, press and hold the "ON" button at the bottom of the remote for 3 seconds until the red light at the top of the remote turns on. Confirm that the winch functions in both directions when the vehicle key is "ON". Confirm that the winch does not function when the vehicle key is in the "OFF" position. To turn the remote off, press the "ON" button again for 3 seconds until the red light goes off. Remote will turn itself off after approximately 60 seconds of inactivity.

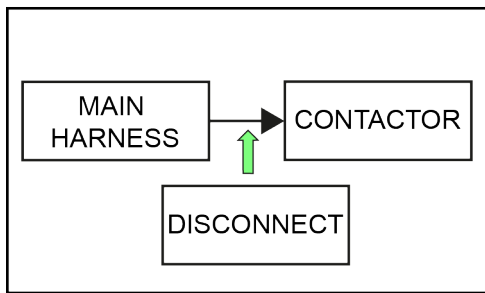
6. Install the winch remote holder (2) on the vehicle in a convenient location where the remote is not likely to be accidentally knocked out of the holder. Fasten it to the vehicle using two screws (4) included with this kit. Tighten screws until snug but do not over tighten.



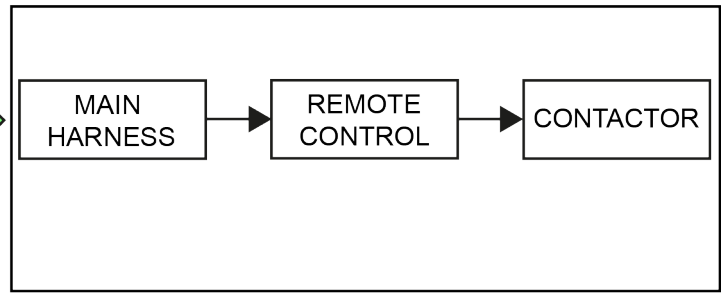
BLOCK DIAGRAM

WITHOUT AUTOSTOP KIT

BEFORE REMOTE KIT INSTALLATION

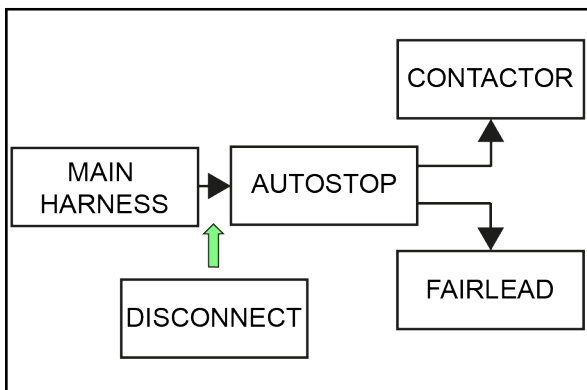


AFTER REMOTE KIT INSTALLATION



WITH AUTOSTOP KIT

BEFORE REMOTE KIT INSTALLATION



AFTER REMOTE KIT INSTALLATION

