

# FIRE EXTINGUISHER MOUNT KIT



**P/N 2881200**

## APPLICATION

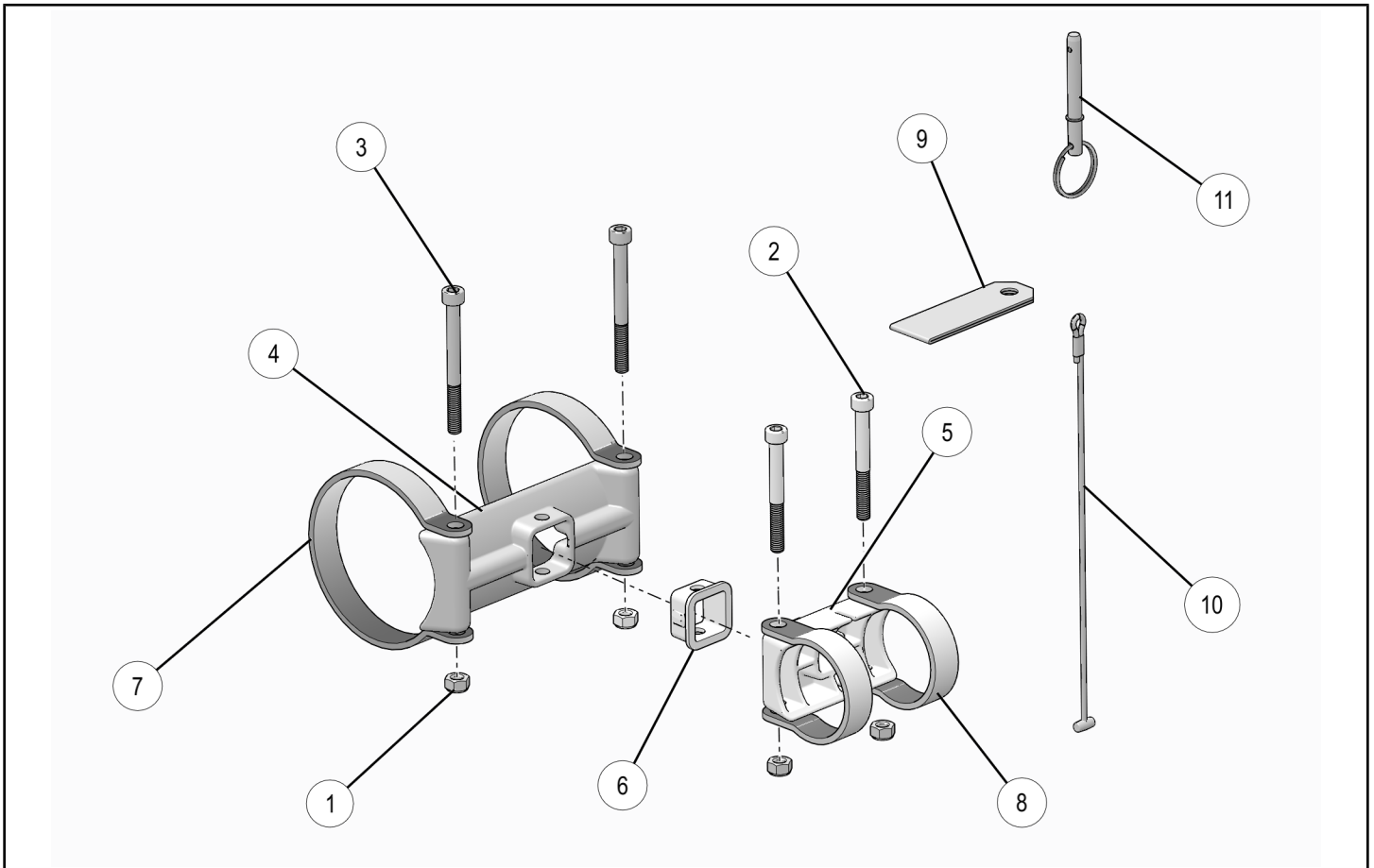
ALL RZR MODELS

## BEFORE YOU BEGIN

Read these instructions and check to be sure all parts and tools are accounted for. Please retain these installation instructions for future reference and parts ordering information.

## KIT CONTENTS

This Kit includes:



REF	QTY	PART DESCRIPTION	PART NUMBER
1	4	Hex Nut - M6 x 1.0	-
2	2	Hex Hd Screw - M6 x 1 x 55	-
3	2	Hex Hd Screw - M6 x 1 x 65	-
4	1	Bottle Bracket	-
5	1	Frame Bracket	-
6	1	Sleeve	-
7	2	Bottle Ring	-

REF	QTY	PART DESCRIPTION	PART NUMBER
8	2	Frame Ring	-
9	1	Key Ring	-
10	1	Wire Rope	-
11	1	Release Pin	-
		Instructions	9926623

## TOOLS REQUIRED

- Metric Wrench Set
- Metric Socket Set

## IMPORTANT

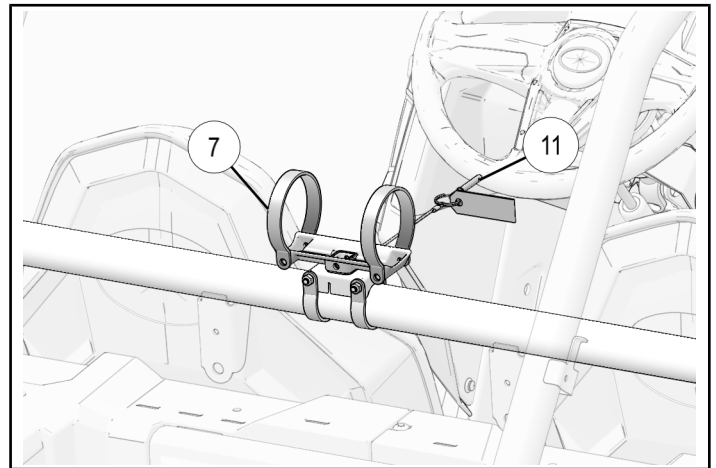
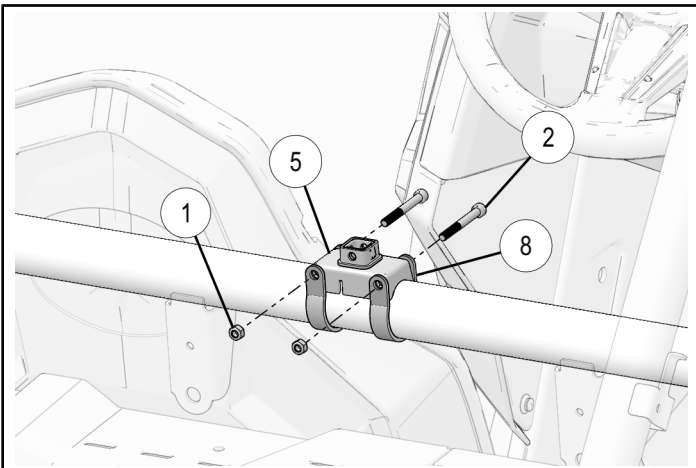
Your FIRE EXTINGUISHER MOUNT KIT is exclusively designed for your vehicle. Please read the installation instructions thoroughly before beginning. Installation is easier if the vehicle is clean and free of debris. For your safety, and to ensure a satisfactory installation, perform all installation steps correctly in the sequence shown.

## ASSEMBLY TIME

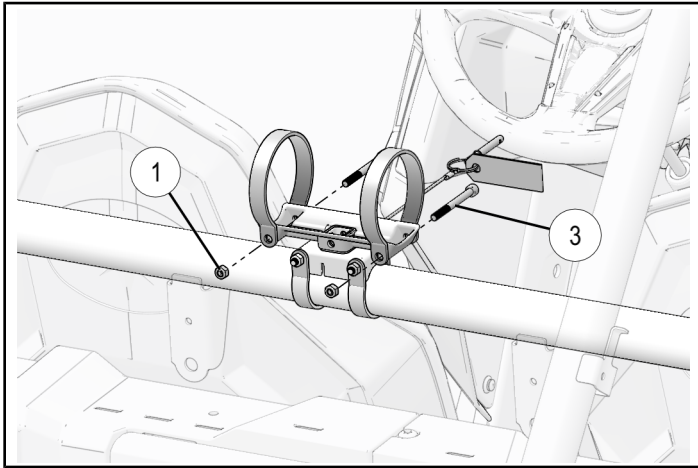
Approximately 15 minutes

## INSTALLATION INSTRUCTIONS

1. Place vehicle in "PARK". Turn key to "OFF" position and remove from vehicle.
2. Install frame bracket ⑤ and frame rings ⑧ to ROPS using screws ② and nuts ① as shown. Tighten fasteners.
3. Slide bottle ring assembly ⑦ onto frame bracket assembly as shown, then insert quick release pin ⑪. Ensure pin is fully inserted so that pin shoulder contacts bottle ring assembly.



- Loosely assemble screws ③ and nuts ① in bottle ring assembly. Ensure bolt heads are on forward side of assembly, and nuts are on rear side of assembly as shown.



- Test fire extinguisher removal by pulling quick release pin completely out. Extinguisher/bottle ring assembly should be easily removed from frame bracket assembly.
- Reinstall extinguisher/bottle ring assembly and release pin.

**⚠ WARNING**

Position extinguisher so that nozzle is pointing down. Failure to properly position extinguisher may result in personal injury or death if your head strikes the nozzle.

- Slide extinguisher into bottle ring assembly and tighten fasteners.

**NOTE**

Recommended extinguisher: First Alert model FE5GR or equivalent 3 inch extinguisher