

SIDE FOLD MIRROR KIT



P/N 2881198

APPLICATION

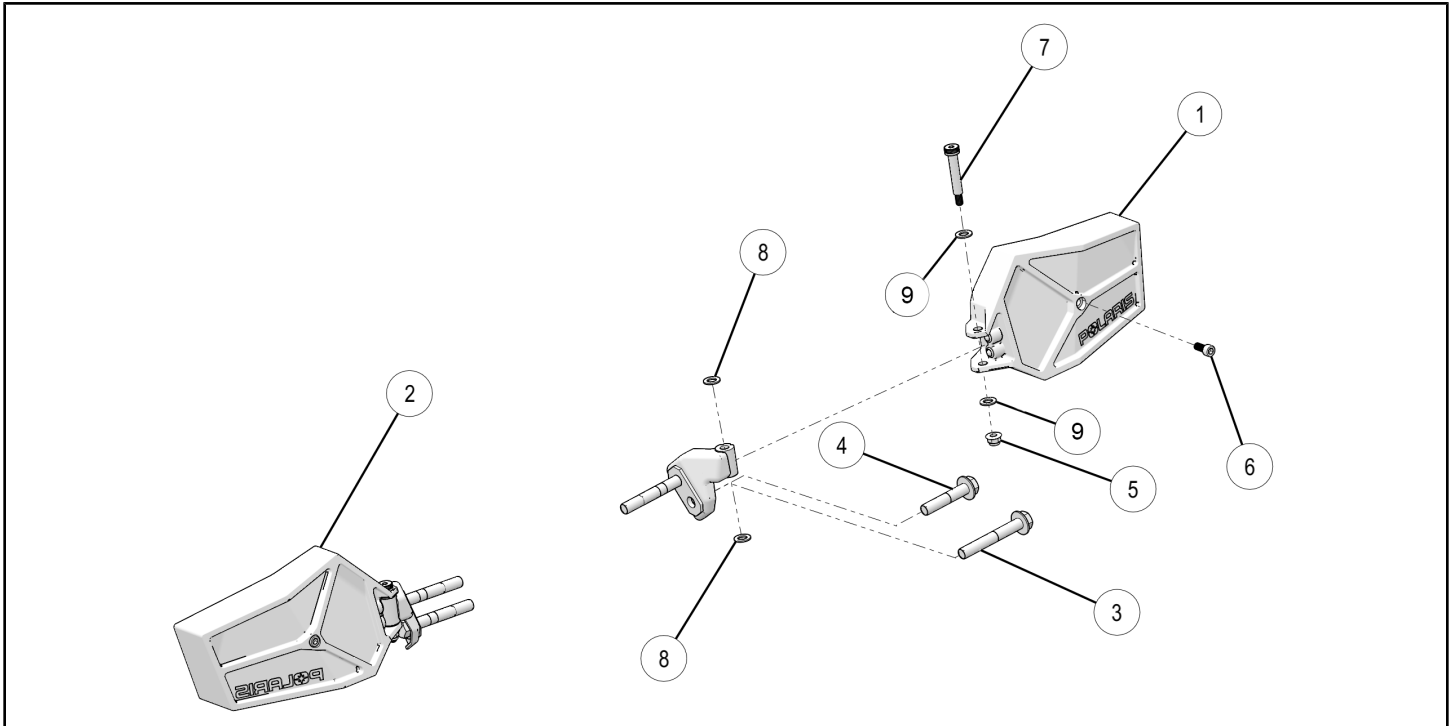
Verify accessory fitment at Polaris.com.

BEFORE YOU BEGIN

Read these instructions and check to be sure all parts and tools are accounted for. Please retain these installation instructions for future reference and parts ordering information.

KIT CONTENTS

This Kit includes:



REF	QTY	PART DESCRIPTION	PART NUMBER
1	1	Side Fold Mirror Assembly, LH	2636034
2	1	Side Fold Mirror Assembly, RH	2636035
3*	4	Screw, Hex Flange - M10 x 1.5 x 70 (for use with windshield accessory)	7520370
4*	4	Screw, Hex Flange - M10 x 1.5 x 50 (for use without windshield accessory)	7520371
5	2	Nut, Hex Flange - M6 x 1.0	-
6	2	Screw - M6 x 1.0 x 15	-
7	2	Bolt, Shoulder - M6 X 1.0 X 51	-
8	4	Washer, Nylon - M8	-
9	6	Washer - M8	-
	1	Instructions	9926622

Items marked (*) are included in Hardware Kit PN 2206171.

TOOLS REQUIRED

- Safety Glasses
- Wrench Set, Metric
- Socket Set, Metric
- Torque Wrench

IMPORTANT

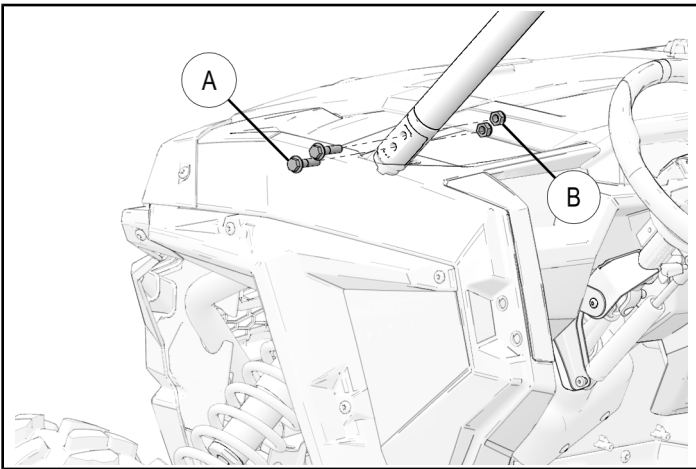
Your SIDE FOLD MIRROR KIT is exclusively designed for your vehicle. Please read the installation instructions thoroughly before beginning. Installation is easier if the vehicle is clean and free of debris. For your safety, and to ensure a satisfactory installation, perform all installation steps correctly in the sequence shown.

ASSEMBLY TIME

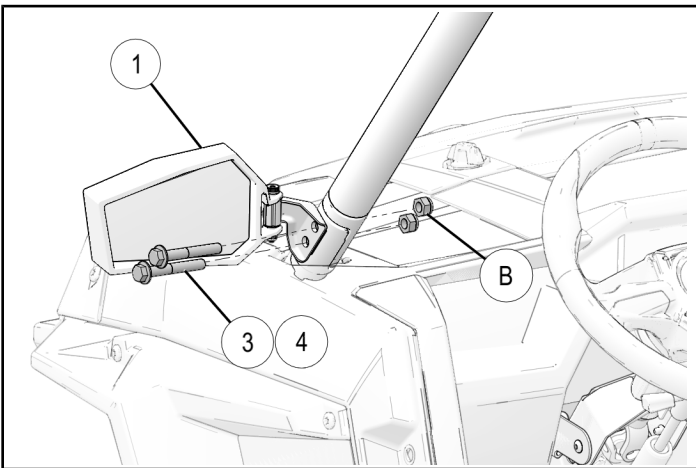
Approximately 10 minutes

INSTALLATION INSTRUCTIONS

1. Place vehicle in "PARK". Turn key to "OFF" position and remove from vehicle.
2. Remove two each screws (A) and nuts (B) from LH ROPS as shown. Nuts will be reused. Screws will not be reused.



3. Install mirror assembly ① to ROPS using screws identified below and retained nuts (B) as shown:
 - a. With windshield accessory: use screws ③.
 - b. Without windshield accessory: use screws ④.



⚠ WARNING

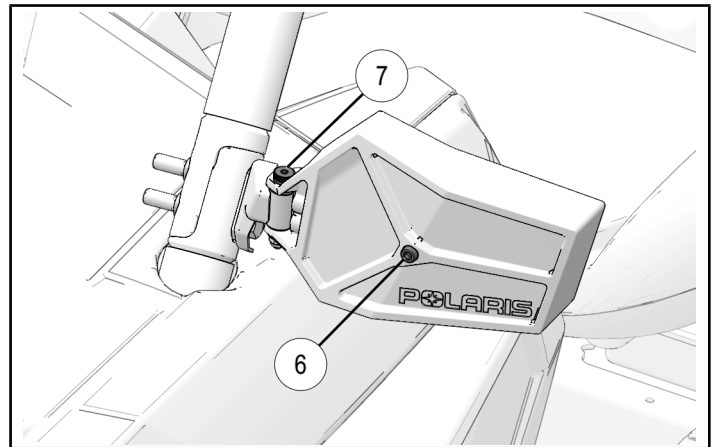
Failure to properly torque fasteners will adversely affect ROPS integrity and may lead to personal injury or death in an accident.

4. Torque screws ③ ④ to specification.

TORQUE

40 ft. lbs. (54 Nm)

5. Repeat Steps 2-4 to install RH side mirror assembly ② to ROPS.
6. Adjust mirror.
 - a. Course mirror adjustment (rotation only) achieved by loosening screw ⑦ as shown, adjusting mirror, then tightening screw.



- b. Fine mirror adjustment (rotation and tilt) achieved by loosening screw ⑥ as shown, adjusting mirror, then tightening screw. Do not overtighten screw.