

SINGLE REAR MIRROR KIT



P/N 2881199

APPLICATION

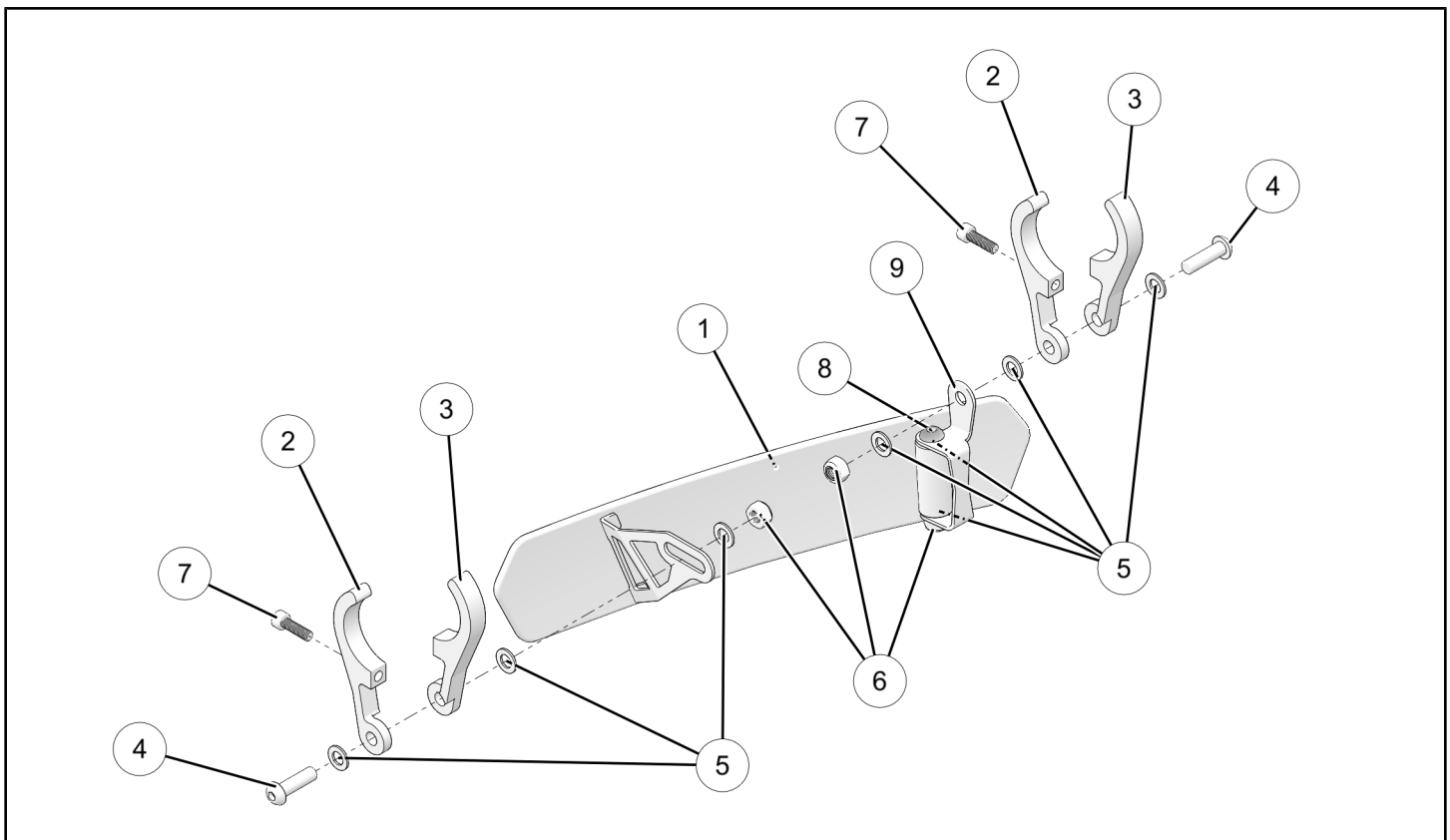
RZR 1000, RZR 4 1000, RZR 900, RZR 900 S, RZR 4 900

BEFORE YOU BEGIN

Read these instructions and check to be sure all parts and tools are accounted for. Please retain these installation instructions for future reference and parts ordering information.

KIT CONTENTS

This Kit includes:



REF	QTY	PART DESCRIPTION	PART NUMBER
1	1	Mirror, Single	1021773
2	2	Clamp, Lower Mirror	5139047
3	2	Clamp, Upper Mirror	5139046
4*	2	Screw, Hex Button Head, M8 x 1.25 x 30 MM	—
5*	8	Washer, 8.5 x 15 x 1.25	—
6*	3	Nut, Hex Flange, M8 x 1.25	—
7*	2	Bolt, M6 x 1.0 x 20 MM	—

REF	QTY	PART DESCRIPTION	PART NUMBER
8*	1	Screw, Hex Button Head, M8 x 1.25 x 65 MM	—
9	1	Bracket	—
—	1	Instructions	9926374

Items marked (*) are included in Hardware Kit PN 2206084.

TOOLS REQUIRED

- Metric socket set and ratchet
- Metric hex wrench set
- Metric wrench set
- Safety goggles

IMPORTANT

Your Single Rear Mirror Kit is exclusively designed for your vehicle. Please read the installation instructions thoroughly before beginning. Installation is easier if the vehicle is clean and free of debris. For your safety, and to ensure a satisfactory installation, perform all installation steps correctly in the sequence shown.

ASSEMBLY TIME

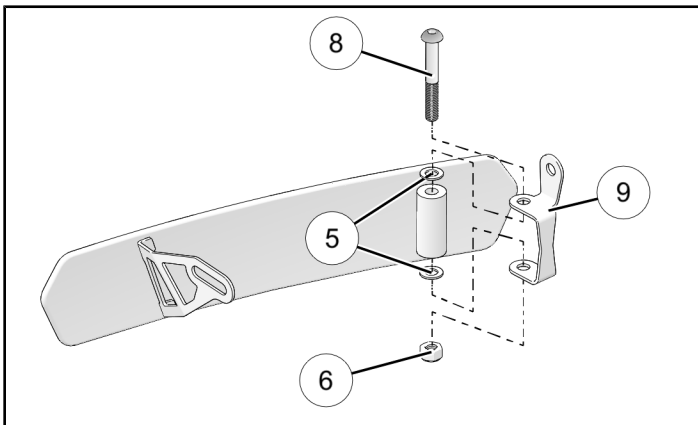
Approximately 15 minutes

INSTALLATION INSTRUCTIONS

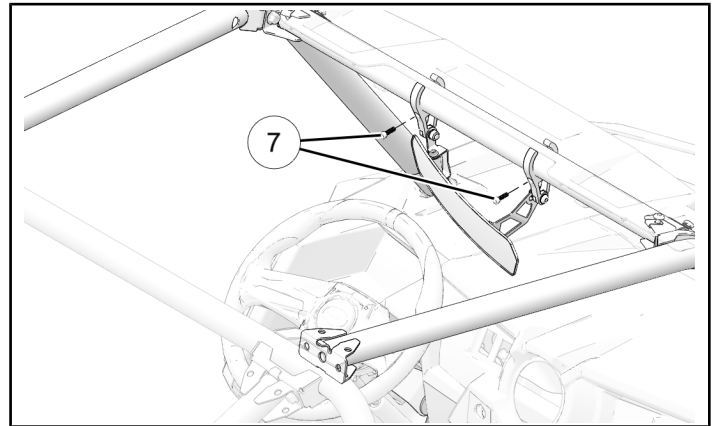
1. Assemble bracket ⑨ to mirror using screw ⑧, two washers ⑤, and nut ⑥ as shown. Do not tighten fastener at this time.
3. Spread clamps and attach to Roll Over Protective Structure (ROPS). Close clamps and install two bolts ⑦ as shown below. Do not tighten fasteners at this time.

NOTE

Ensure washers are positioned between bracket flanges and mirror. Do not position washers under screw head or under nut.



2. Assemble clamps ② and ③ to mirror using screw ④, washers ⑤, and nut ⑥ as shown in Kit Contents. Repeat for opposite end of mirror. Do not tighten fasteners at this time.



4. Place mirror in desired position and tighten all fasteners. Torque to specification.

TORQUE

Screw, M8 (qty = 3): 11 ft. lbs. (14.91 Nm)

TORQUE

Bolt, M6 (qty = 2): 4 ft. lbs. (5.42 Nm)