

WINDSHIELD WIPER KIT



P/N 2881090

APPLICATION

Verify accessory fitment at Polaris.com.

BEFORE YOU BEGIN

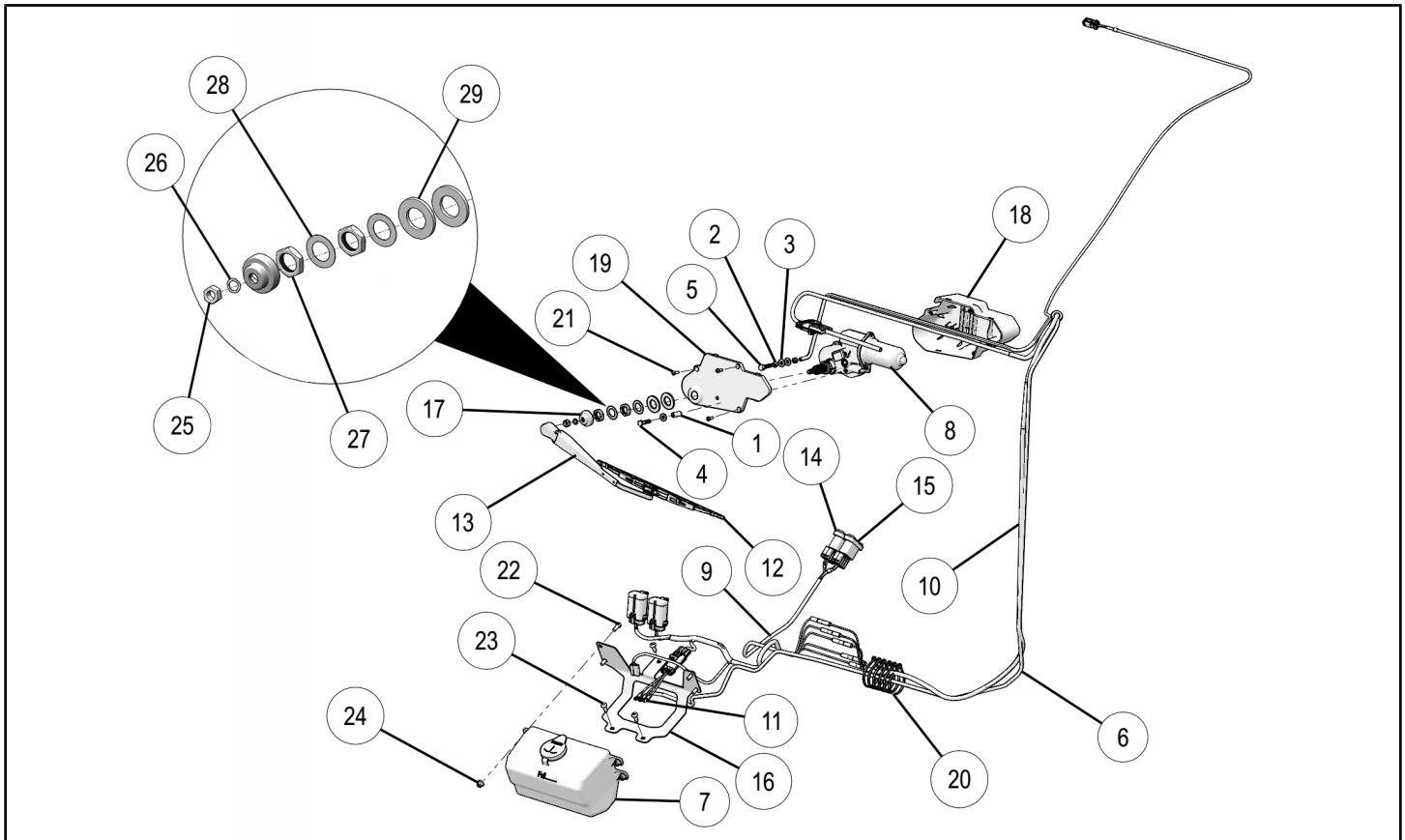
Read these instructions and check to be sure all parts and tools are accounted for. Please retain these installation instructions for future reference and parts ordering information.

KIT CONTENTS

This kit contains parts for installation of the windshield wiper only. One of the following additional kits, if not previously installed, is also required (sold separately):

- Tip-Out Glass Windshield Kit, PN 2881108
- Fixed Glass Windshield Kit, PN 2881109

This Kit includes:



REF	QTY	PART DESCRIPTION	PART NUMBER
1*	1	Spacer - 1/4 X 3/4	-
2*	2	Nut, Hex - M6	-
3*	3	Washer - M6	-
4*	1	Screw (Anti-Rotation), Hex Cap - M6 X 40	-
5*	1	Nozzle	-

REF	QTY	PART DESCRIPTION	PART NUMBER
6	1	Washer Hose	5415165
7	1	Washer Bottle Assembly	2205139
8	1	Wiper Motor	2206186
9	1	Dash Harness	2413255
10	1	ROPS Harness	2413291
11	1	Adapter Harness	2413447
12	1	Wiper Blade	2635951
13	1	Wiper Arm	2635952
14	1	Washer Switch	4016254
15	1	Wiper Switch, Low-High	4016253
16	1	Bracket, Washer Bottle	5261436
17*	1	Dust Cap	5415893
18	1	Wiper Motor Housing	5452518
19	1	Wiper Motor Cover	5452519
20	6	Cable Tie	7080138
21*	3	Screw, Phillips, Self-Tapping - #8 X 0.625	7511881
22*	4	Screw, Hex Flange - M6 X 1.0 X 16	7518548
23*	3	Screw, Torx® - #14 X 3/4	7519045
24*	4	Nut, Flange, Nyloc - M6	7547274
25*	1	Nut, Hex - M8 X 1.25	-
26*	1	Washer, Wave - M8	-
27*	2	Nut, Hex - M18 X 1.0	-
28*	2	Washer, Flat - M18	-
29*	2	Spacer, Washer	-
	1	Instructions	9926345

Items marked (*) are included in Hardware Kit PN 2206072.

TOOLS REQUIRED

- Safety Glasses
- Drill
- Drill Bit, 1/4 inch
- Pliers, Side Cutting
- Pliers, Push Pin
- Screwdriver Set, Torx®
- Socket Set, Metric
- Torque Wrench
- Utility Knife/Cutting Tool
- Wrench Set, Metric

IMPORTANT

Your WINDSHIELD WIPER KIT is exclusively designed for your vehicle. Please read the installation instructions thoroughly before beginning. Installation is easier if the vehicle is clean and free of debris. For your safety, and to ensure a satisfactory installation, perform all installation steps correctly in the sequence shown.

ASSEMBLY TIME

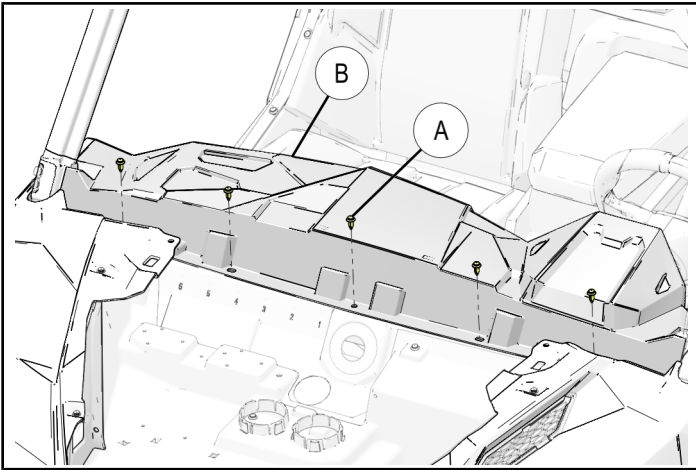
Approximately 2 Hours

INSTALLATION INSTRUCTIONS

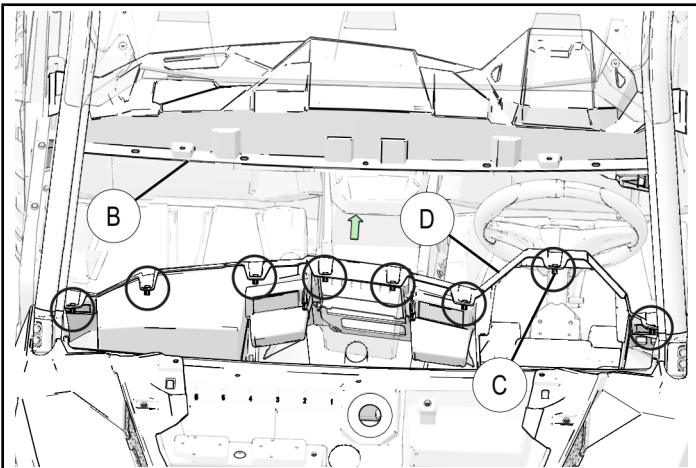
NOTE

If Single Rear View Mirror Kit (PN 2880531 or 2881540, each sold separately) will also be installed, then mirror mounting location must be offset on ROPS to accommodate windshield wiper installation.

1. Place vehicle in "PARK". Turn key to "OFF" position and remove from vehicle.
2. Gain access.
 - a. Remove hood.
 - b. Remove or open windshield (as applicable).
 - c. Remove five plastic push pins (A) from forward side of upper dash panel (B) as shown.

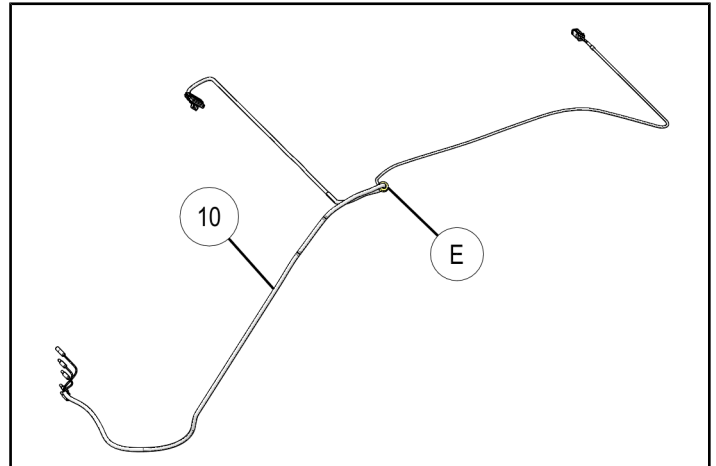


- d. Slide upper dash panel (B) to rear, disengaging eight spring clips (C) retaining upper dash panel to main dash panel (D) as shown.



- e. Reinstall or close windshield (as applicable).

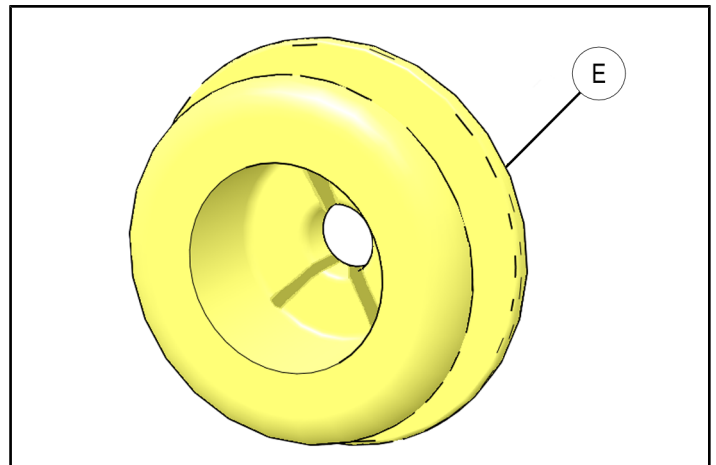
3. OPTIONAL: If Overhead Audio Kit (PN 2881115, sold separately) will also be installed then trim audio enclosure as described in overhead audio instructions.
4. Modify ROPS harness grommet.
 - a. Carefully remove ROPS harness grommet (E) from ROPS harness ⑩ by sliding it over bullet connectors.



- b. Make "X" shaped cut as shown to enlarge interior of grommet (E). Grommet must accommodate harness wiring and washer hose ⑥.

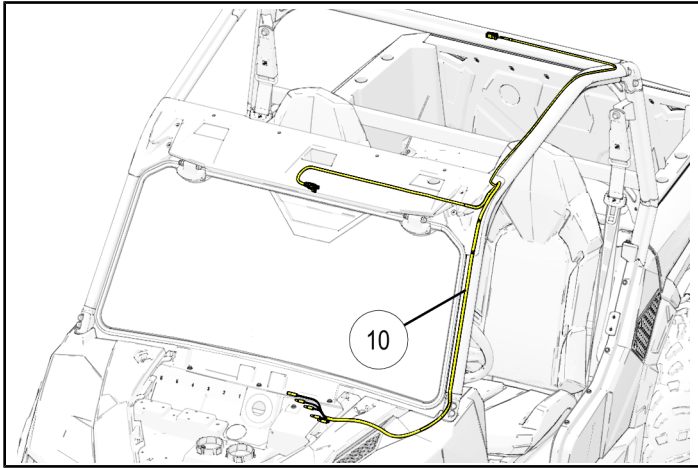
IMPORTANT

Do not cut through outer grommet ring.

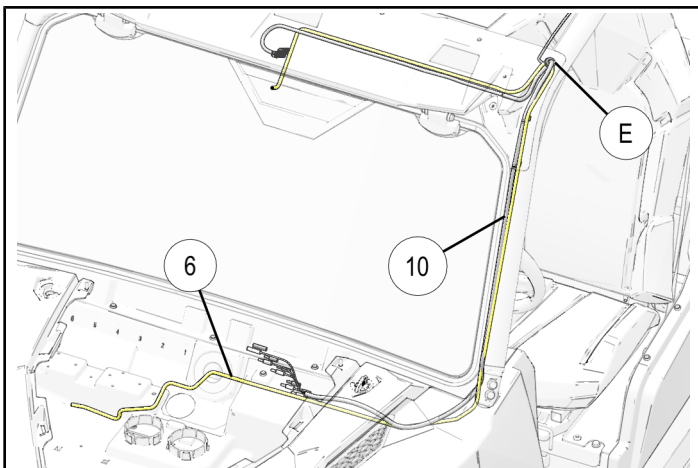


- c. Reinstall ROPS harness grommet (E) on ROPS harness ⑩.

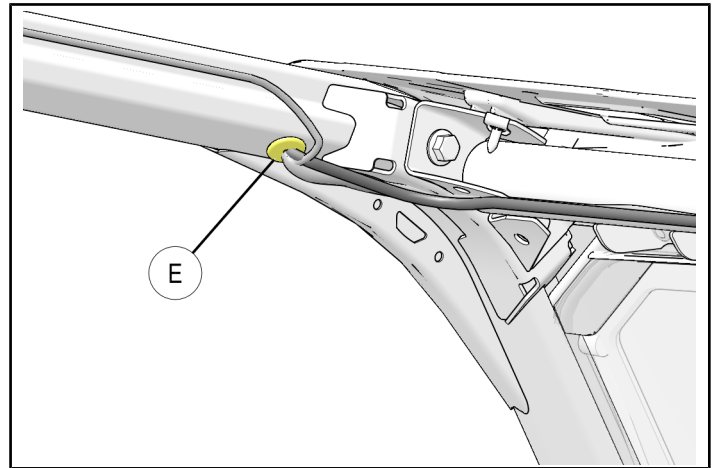
5. Install ROPS harness ⑩.
 - a. Route harness end with five bullet connectors into oval hole at top of driver side A-pillar, down ROPS, out of welded coupler at base of pillar, and into upper dash compartment (on rear side of firewall) as shown. Do not install ROPS harness grommet at this time.



- b. Route interior light connector rearward to B-pillar, then across B-pillar cross-member and connect to accessory light (sold separately).
6. Route washer hose ⑥ through ROPS harness grommet (E), then down ROPS following path of ROPS harness ⑩ into upper dash compartment. Retain adequate length at top of windshield to reach washer nozzle (installed in Step 11). Push hose forward through firewall grommet into under-hood compartment.



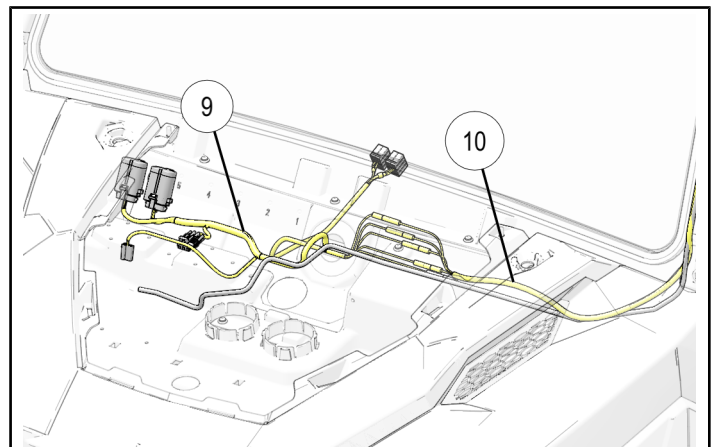
7. Install ROPS harness grommet (E) in ROPS at top of driver side A-pillar.



8. Install dash harness ⑨.
 - a. From within under-hood compartment (on forward side of firewall), push both switches (washer ⑭ and wiper ⑮) through firewall grommet into upper dash compartment as shown.

NOTE

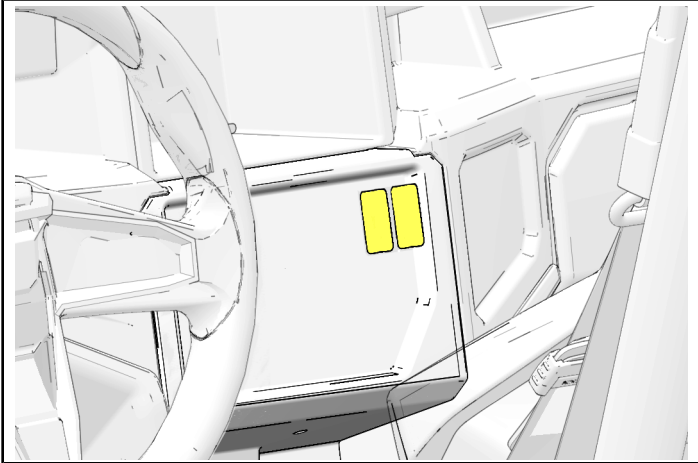
Only two relays/circuit breaker and terminal block connector will remain on forward side of firewall.



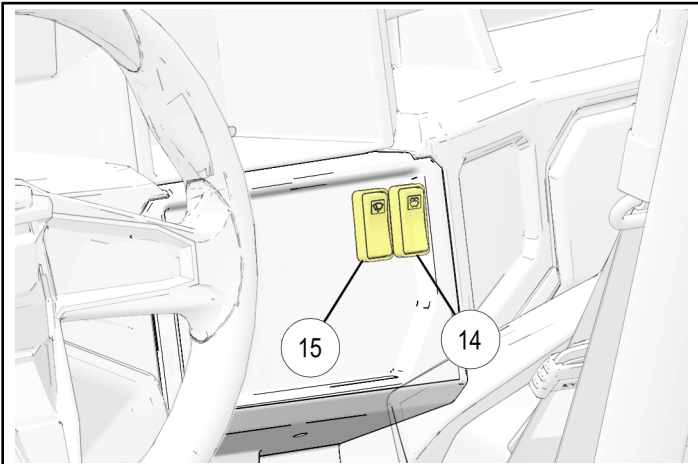
- b. Install switches.
 - i. Using knife (or equivalent) carefully cut two rectangular switch openings in console control panel as shown.

NOTE

Any open locations may be used.



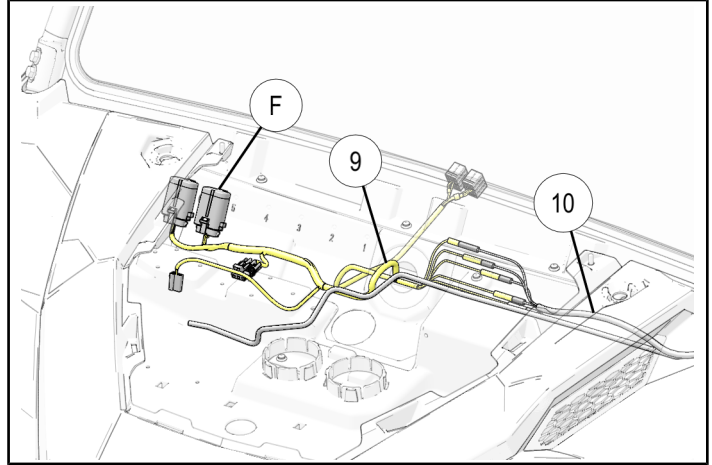
- ii. Connect dash harness ⑨ to switches ⑭ ⑮ per labeling.
- iii. Install switches ⑭ ⑮ into openings as shown.



- c. Connect five dash harness ⑨ bullet connectors to corresponding ROPS harness ⑩ bullet connectors as shown.

NOTE

Bullet connector lengths on each harness are staggered to assist in identifying proper connections.



- d. On forward side of firewall, drill out two firewall accessory plugs (1/4 inch), then install relays/circuit breaker (F) as shown.

IMPORTANT

Control drill depth to prevent damage to underlying structure or components.

NOTE

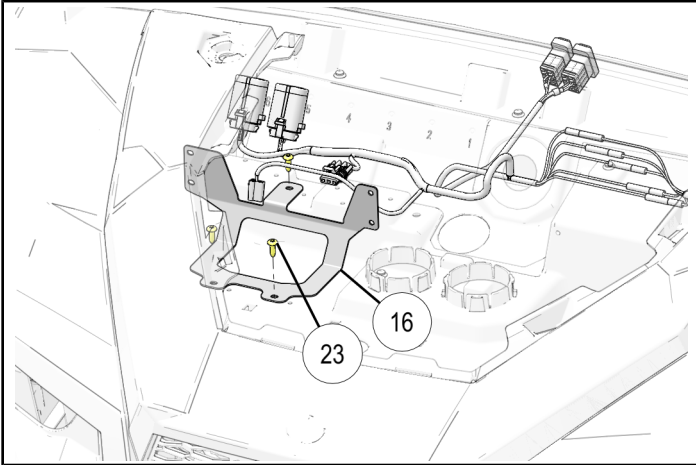
Do not connect dash harness ⑨ to washer bottle pump or terminal block at this time.

- 9. Install washer bottle.
 - a. Gain access.
 - i. If horn is installed: Temporarily remove horn from under-hood liner. Do not disconnect wiring. Fastener will not be reused.
 - ii. If six position accessory terminal block is installed: Temporarily remove terminal block from under-hood liner. Do not disconnect wiring. Retain fasteners for reuse.

- b. Install washer bottle bracket ⑯ (and horn, if removed) using three screws ⑳ as shown. If horn was removed, reinstall in same location on top of washer bottle bracket.

NOTE

Fastener holes are pre-drilled in under-hood liner.

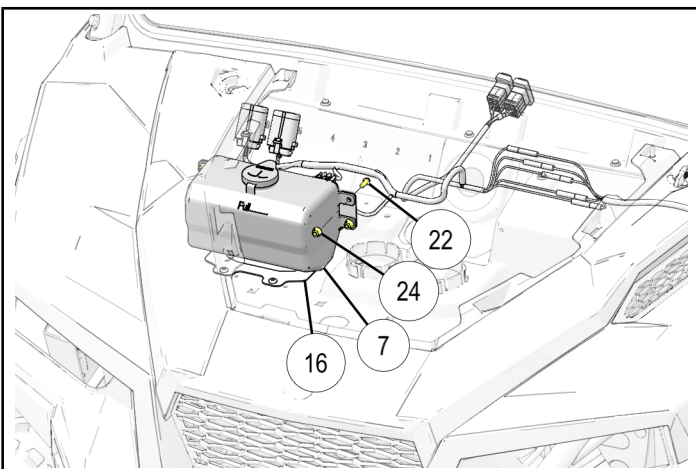


- c. If six position accessory terminal block was removed, reinstall in same location on top of washer bottle bracket using retained fasteners.
- d. Connect washer hose ⑥ to washer bottle pump.

IMPORTANT

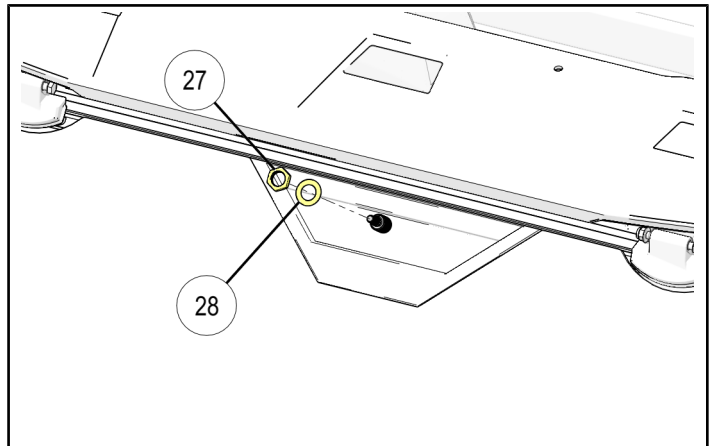
Ensure hose is routed below bottle bracket ⑯ to prevent pinching when bottle ⑦ is installed.

- e. Connect dash harness ⑨ to washer bottle pump.
- f. Install washer bottle ⑦ to washer bottle bracket ⑯ using four screws ㉒ and nuts ㉔ as shown.



10. Install wiper motor ⑧.

- a. Insert motor shaft through windshield wiper attach plate, then loosely install nut ㉗ and flat washer ㉘ as shown.



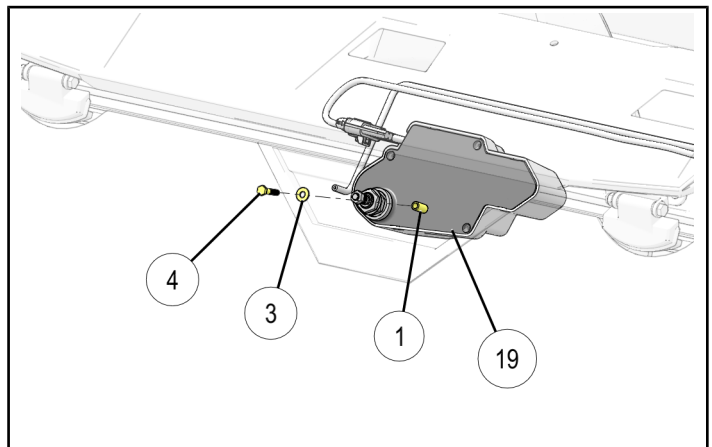
- b. Install anti-rotation screw ④ through washer ③, LH hole in windshield wiper attach plate, and spacer ①, into wiper motor cover ⑱ as shown. Torque to specification.

TORQUE

6 ft. lbs. (8 Nm)

NOTE

Spacer ① is located on inside of windshield, between windshield wiper attach plate and wiper motor cover ⑱.

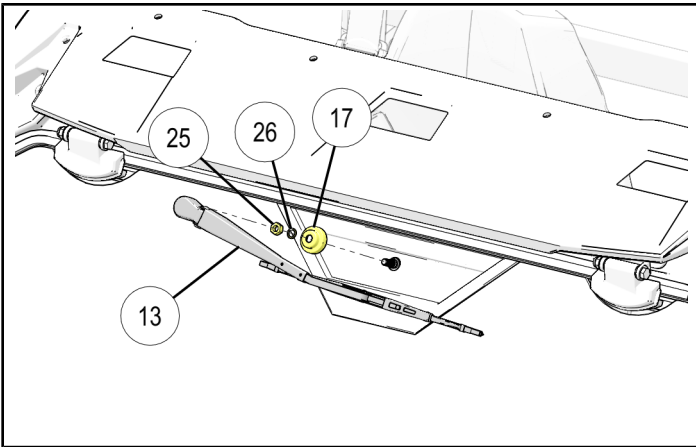


- c. Torque motor shaft nut to specification.

TORQUE

12.5-17 ft. lbs. (17-21 Nm)

d. Install dust cap ⑰ on motor shaft as shown.



e. Open nut access cover on end of wiper arm ⑬, then install wiper arm to motor shaft using nut ⑳ and wave washer ㉑ as shown. Ensure wiper arm is in home position, then torque wiper arm nut to specification. Close access cover.

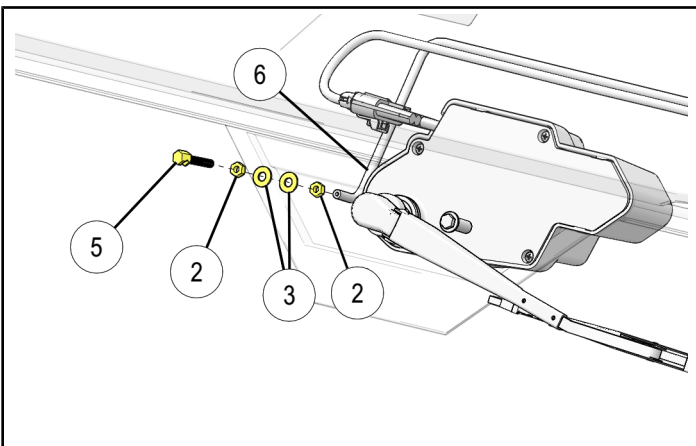
TORQUE

10.3-13.2 ft. lbs. (14.0-17.9 Nm)

f. Connect ROPS harness ⑩ to wiper motor harness.

11. Install washer nozzle ⑤.

a. Install nut ② and washer ③ onto washer nozzle, then insert through RH hole in windshield wiper attach plate as shown. Ensure nozzle is protruding far enough to spray on windshield while still allowing adequate length for nut, washer, and hose attachment on opposite side of attach plate.



b. Orient nozzle to point down, then secure with second washer ③ and nut ②.

c. Attach washer hose ⑥ to nozzle ⑤.

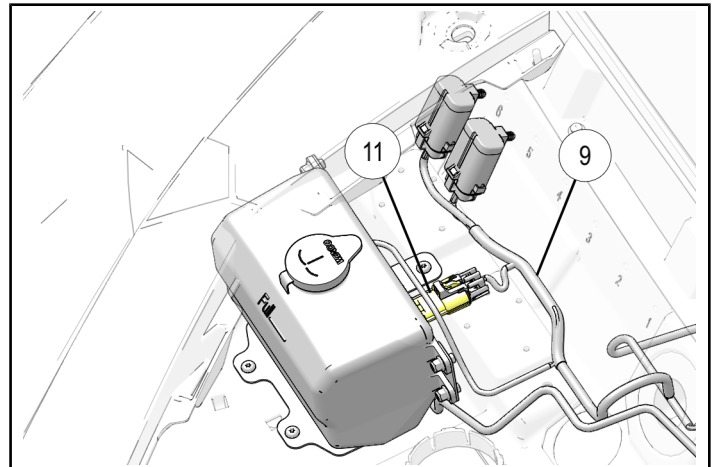
12. Connect dash harness ⑨ to terminal block.

FOR VEHICLES WITH SIX POSITION ACCESSORY TERMINAL BLOCK:

Connect dash harness directly to terminal block at any open location.

FOR VEHICLES WITH THREE POST TERMINAL BLOCK:

- Remove driver's seat and battery access cover.
- Disconnect black negative (-) lead from battery.
- Connect adapter harness ⑪ ring terminals to terminal posts as follows:
 - Red harness wire to terminal post with existing red wire (unswitched 12V POS)
 - Orange/white stripe harness wire to terminal post with existing orange/white wire (accessory switched 12V POS)
 - Brown harness wire to terminal post with existing black wire (12V NEG)
- Connect adapter harness ⑪ to dash harness ⑨ as shown.

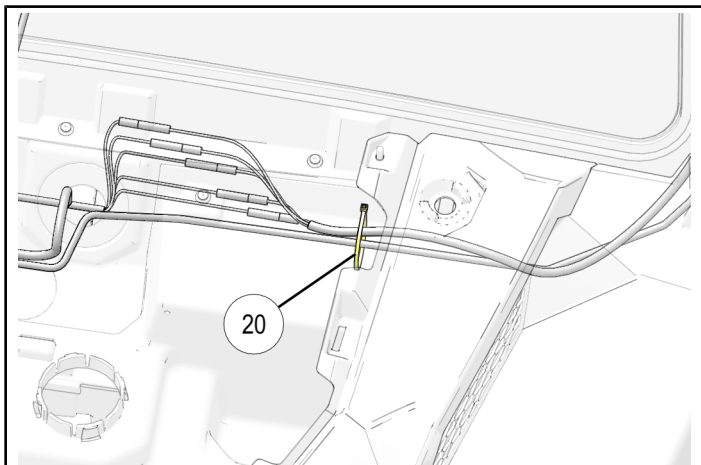


e. Reconnect black negative (-) lead to battery.

f. Reinstall battery access cover and driver's seat.

13. Fill washer bottle with fluid, turn ignition to "ON", and test system.

14. Secure harnesses and hoses with cable ties ⑳ to prevent chafing against sharp edges or moving parts.



15. Restore access (see Step 2).

IMPORTANT

When reinstalling upper dash panel (B) ensure dash harness ⑨ and washer hose ⑥ are positioned in panel cutout (P) as shown to prevent harness damage or hose constriction.

