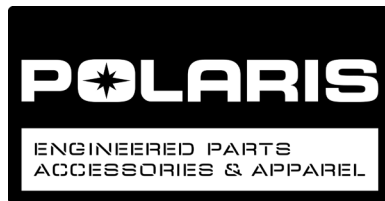


# GENERATOR COLD WEATHER KIT



**P/N 2881433**

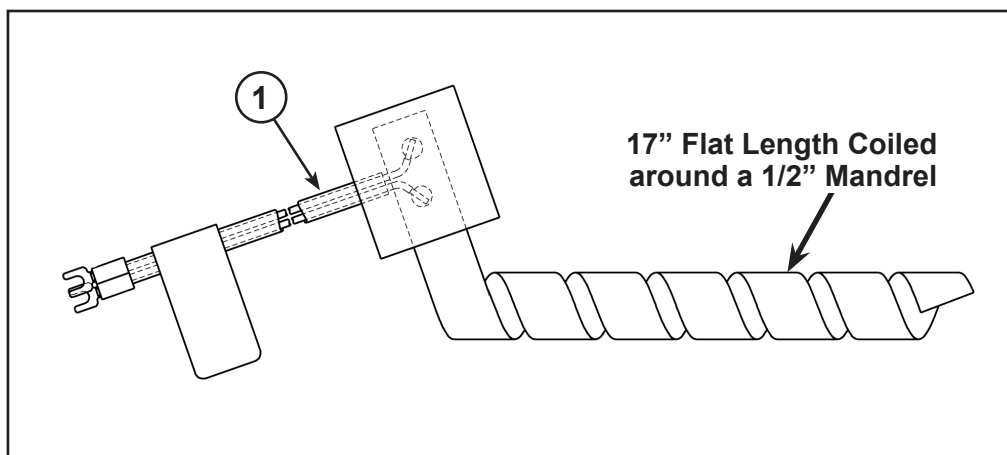
## APPLICATION

P1000i AND P2000i 60 Hz GENERATOR

## BEFORE YOU BEGIN

Read these instructions thoroughly and make sure all parts and tools are accounted for. Please retain these installation instructions for future reference and parts ordering information.

## KIT CONTENTS



Ref	Qty	Part Description	Part Number
1	1	Generator Cold Weather Kit	2881433
	2	Zip Ties	-
	1	Instructions	9926344

## TOOLS NEEDED

Hex Wrench, Inner, M6 (Polaris PN 3410206) (Included in the Generator Package)

Phillips Screwdriver

## APPROXIMATE ASSEMBLY TIME

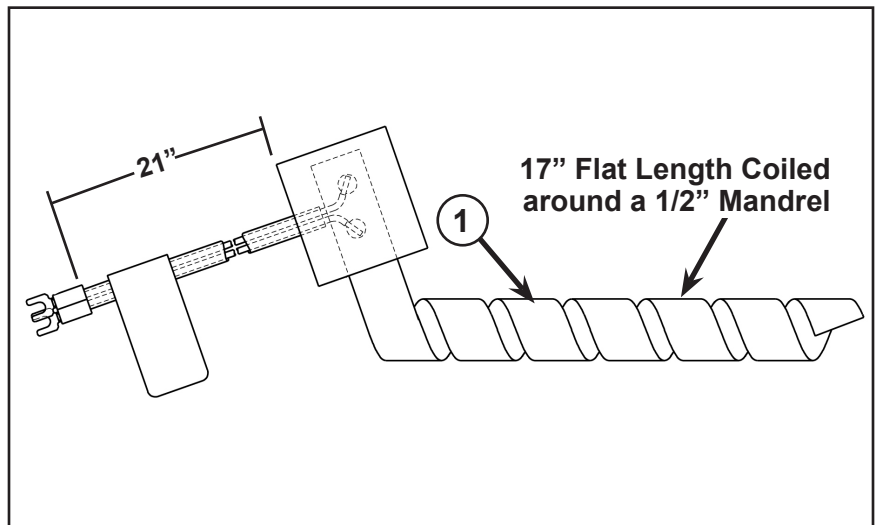
30 min

## IMPORTANT

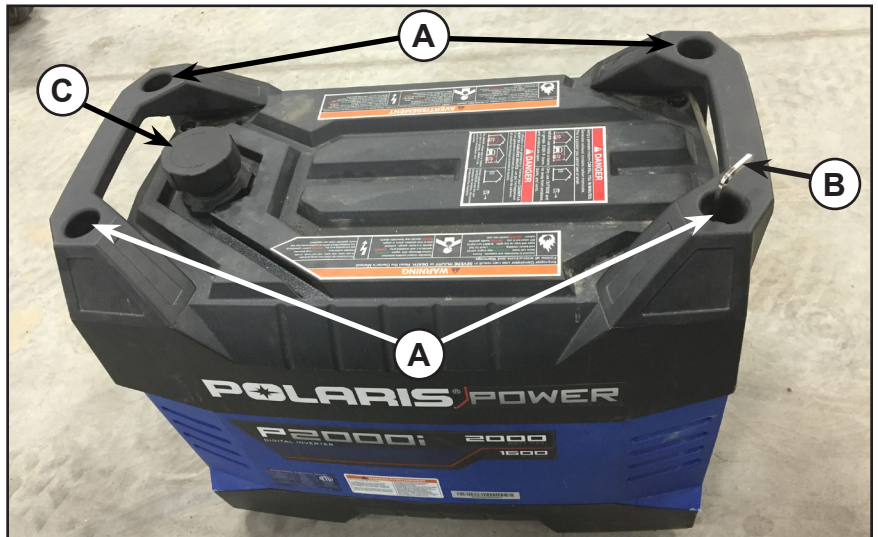
Your Polaris GENERATOR COLD WEATHER KIT is exclusively designed for your machine. Please read the installation instructions thoroughly before beginning. For your safety, and to ensure a satisfactory installation, perform all installation steps correctly in the sequence shown.

## INSTALLATION INSTRUCTIONS

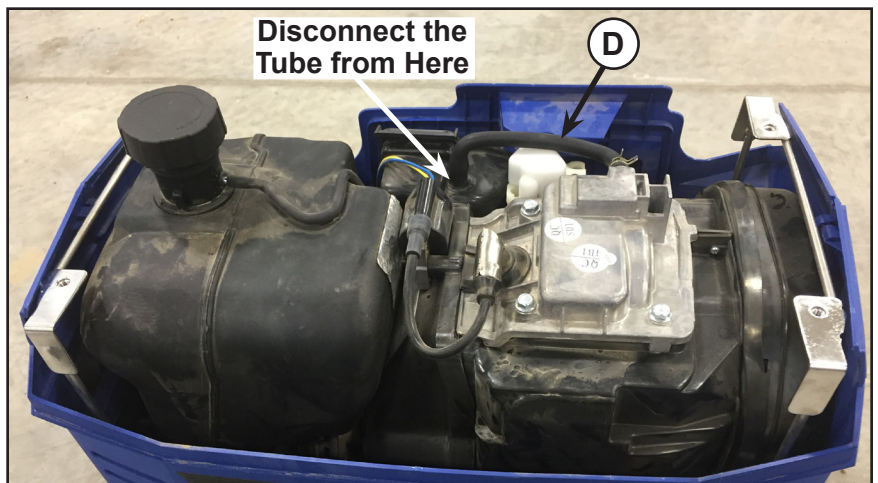
1. Polaris Cold Weather Kit (1) is designed to provide reliable operation in regions that experience low ambient temperature.



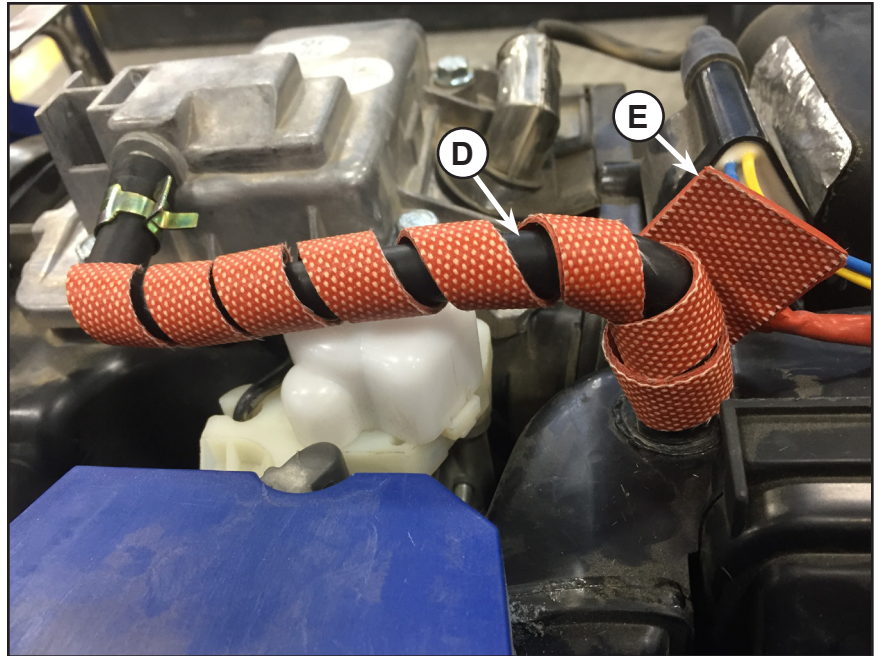
2. Disconnect all power loads from the generator, shut down the generator (please see details from generator operator's manual).
3. Remove the generator cover:
  - a) Four bolts (A) using M6 hex wrench (B) (Polaris PN 3410206, included in generator package).
  - b) Remove fuel fill cap (C) and rubber fuel fill gasket.
  - c) Lift off cover.



4. Disconnect the engine breather tube (D) from the air cleaner/filter cover.



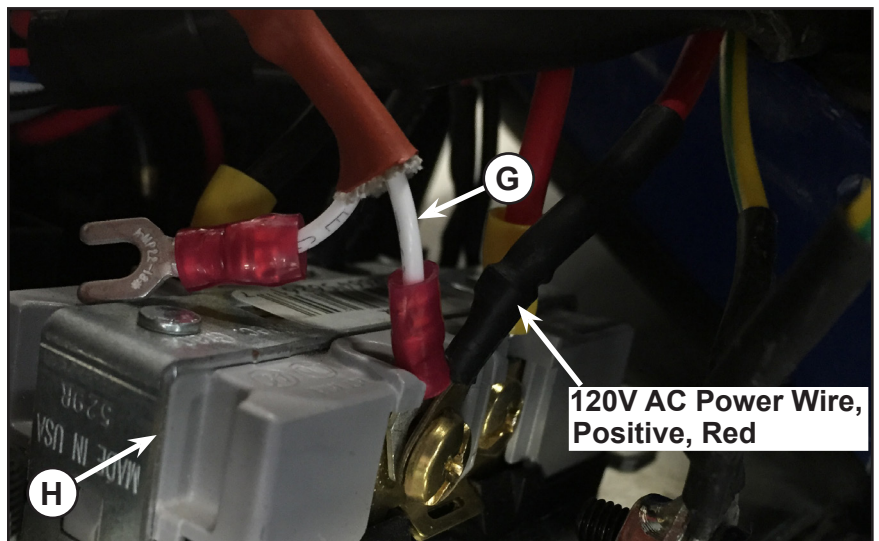
5. Wrap the flexible heater (E) onto the breather tube (D) until it is fully in place.
6. Re-connect the breather tube to the air cleaner/filter cover.



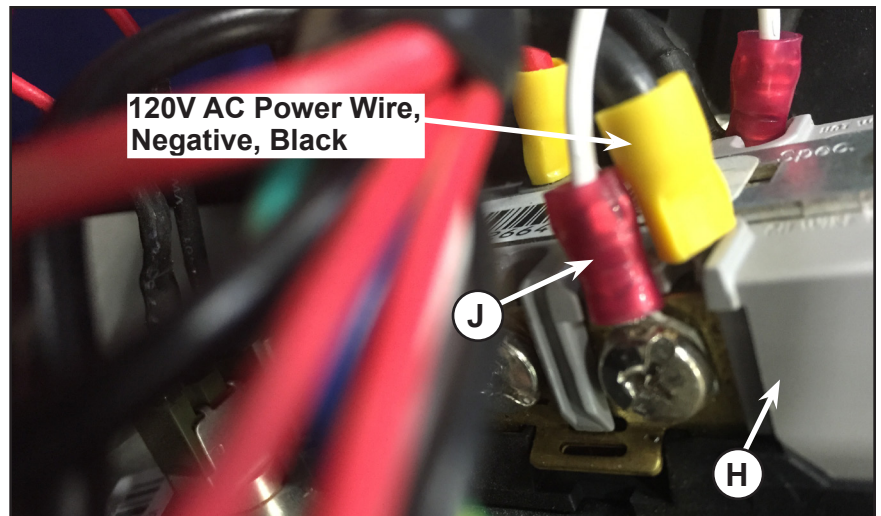
7. Remove the generator front control panel (F) with Phillips screw driver.



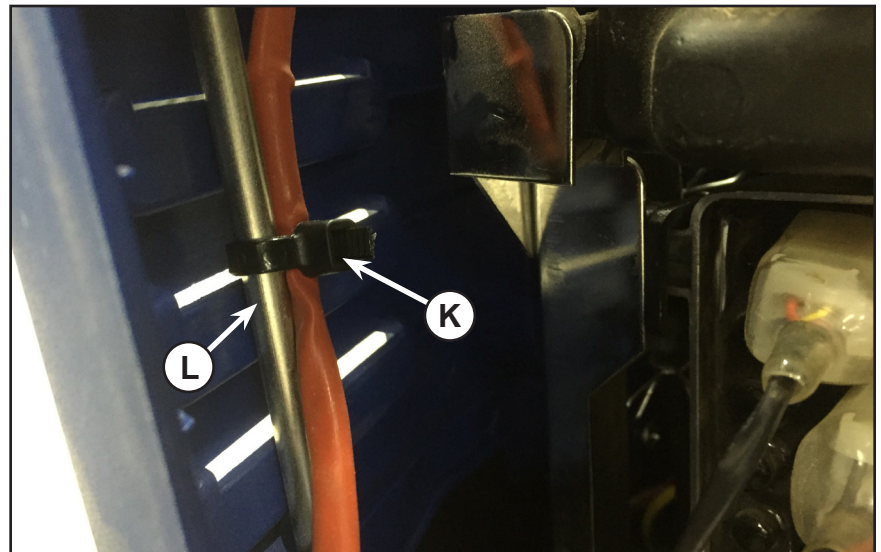
8. Connect either lead (G) from the Cold Weather kit wire connector to the 120V, AC receptacle (H), positive side, from the back of the generator set front control panel.



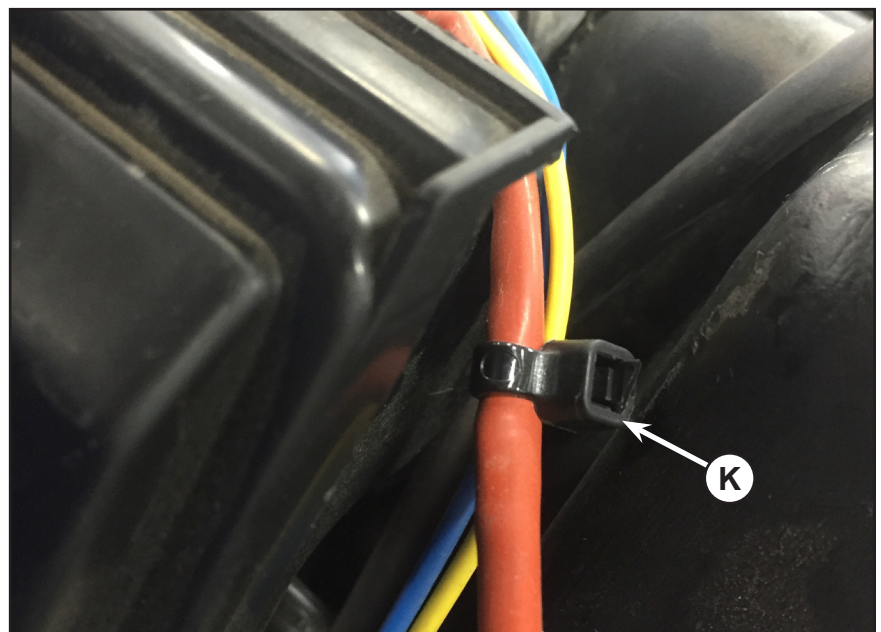
9. Connect the other lead (J) from the Cold Weather kit wire connector to the 120V, AC receptacle (H), negative side, from the back of the generator set front control panel.



10. Route the Cold Weather kit harness by using cable zip ties (K) to connect to the stainless steel support rod (L).



11. Route the harness with another cable zip tie (K) to the ignition coil wires (blue and yellow).



12. Install the generator front control panel with Phillips screwdriver.  
13. Install the generator cover, fuel fill gasket and fuel fill cap.