

# STORAGE BOX KIT



P/N 2881193

## APPLICATION

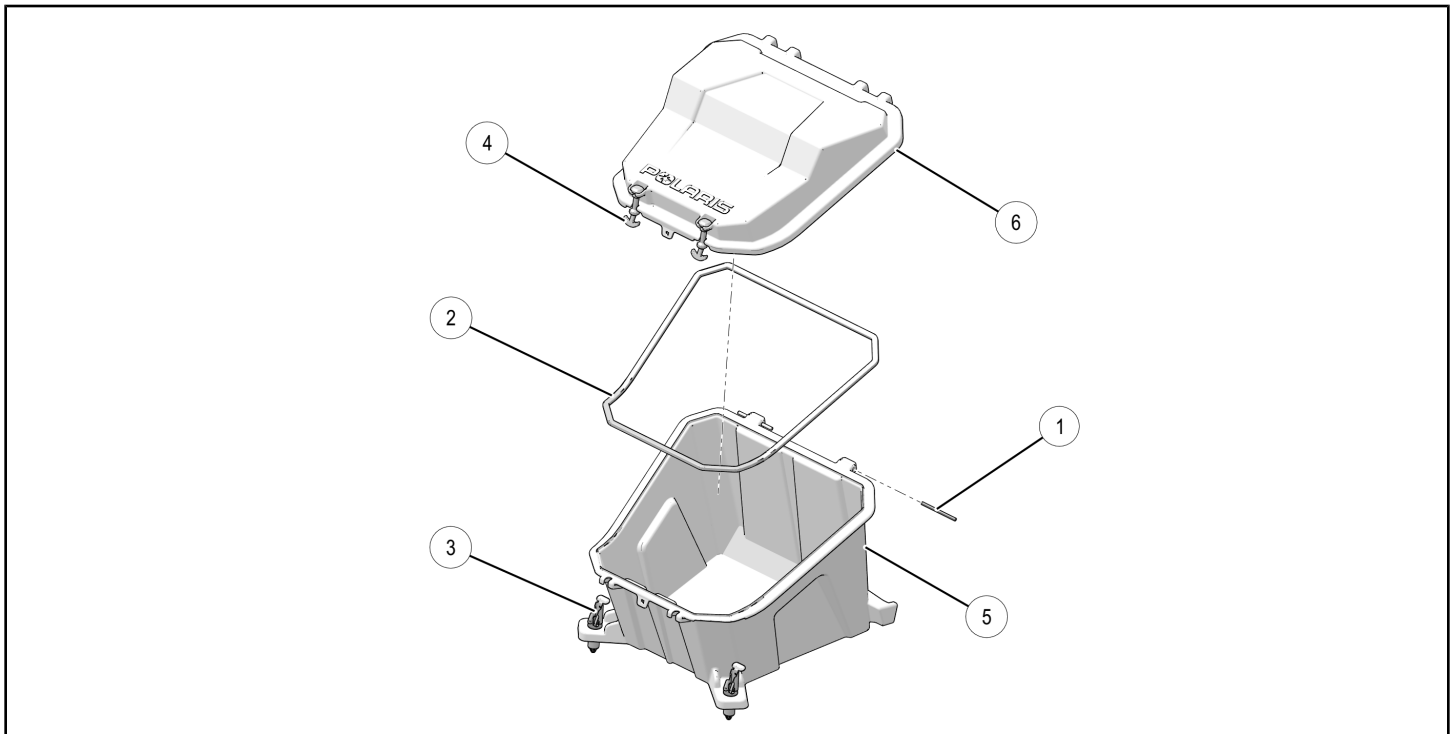
RZR 900, RZR S 900, RZR 4 900, RZR XP 1000, RZR XP4 1000, RZR Trail S 1000

## BEFORE YOU BEGIN

Read these instructions and check to be sure all parts and tools are accounted for. Please retain these installation instructions for future reference and parts ordering information.

## KIT CONTENTS

This Kit includes:



REF	QTY	PART DESCRIPTION	PART NUMBER	SERVICE KIT NUMBER
1	2	Pin	n/a	2206029
2	1	Seal	n/a	2206029
3	2	Lock and Ride Anchor Kit	n/a	2206029
4	2	Storage Latch Box	5415701	n/a
5	1	Storage Box, Base	5452502	n/a
6	1	Storage Box, Lid	5452503	n/a
	1	Instructions	9926225	n/a

## TOOLS REQUIRED

- Safety Goggle

## IMPORTANT

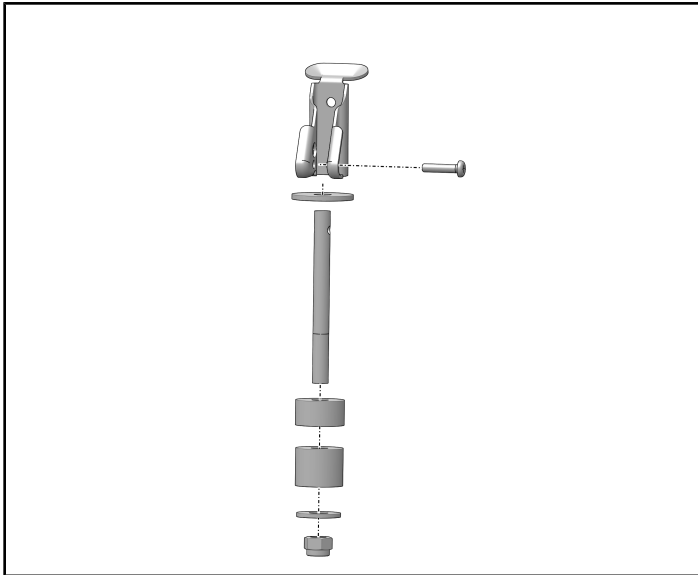
Your STORAGE BOX KIT is exclusively designed for your vehicle. Please read the installation instructions thoroughly before beginning. Installation is easier if the vehicle is clean and free of debris. For your safety, and to ensure a satisfactory installation, perform all installation steps correctly in the sequence shown.

## ASSEMBLY TIME

Approximately 5 minutes

## INSTALLATION INSTRUCTIONS

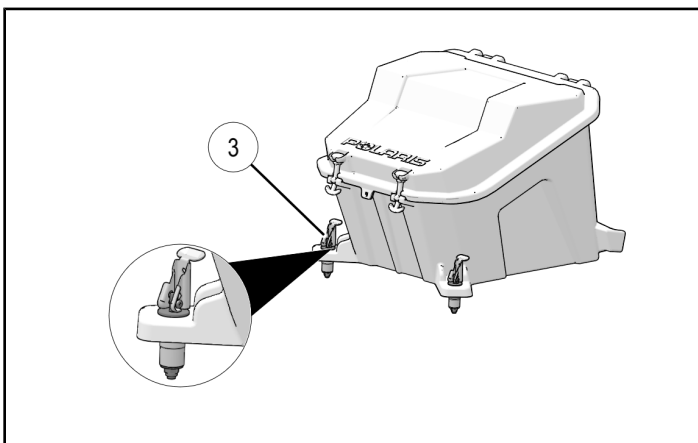
1. Put the vehicle transmission into “**PARK**” and turn the key to the “**OFF**” position. Remove the key from the vehicle.
2. Disassemble the lock and ride anchors.



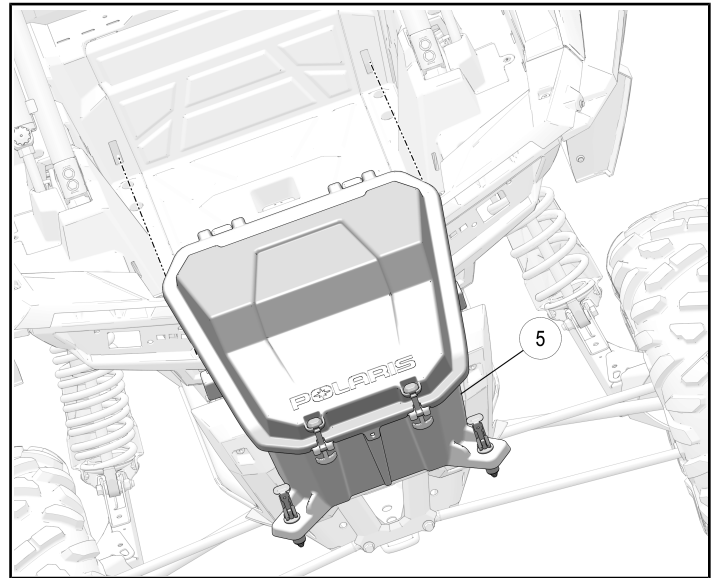
3. Install lock and ride anchors ③ on to the cargo box.

### NOTE

Make sure the orientation of lock and ride anchor assembly.



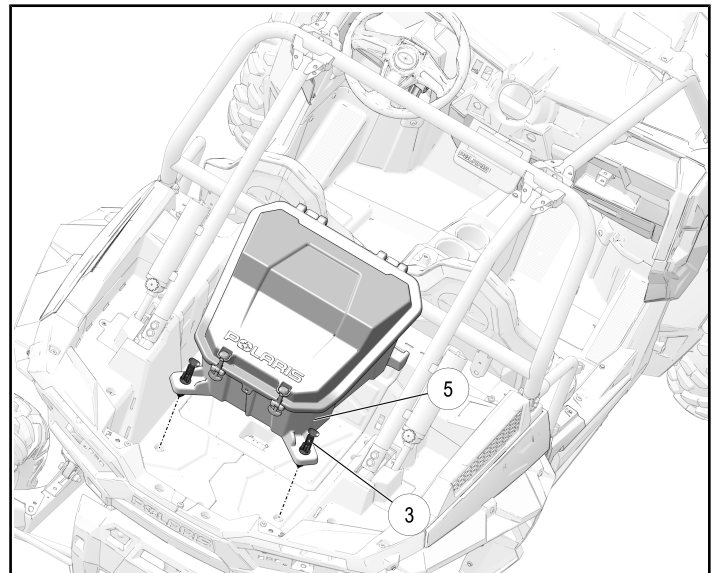
4. Slide the box on the vehicle so that storage box base ⑤ protrusions on the box are seated into the slot on the body.



5. Install the storage box base ⑤ onto the vehicle body.

### NOTE

Make sure lock and ride ③ anchors fit into the holes.



6. Press and close the lock and ride anchors.

