

REAR SPORT BUMPER KIT



P/N 2881095, 2884345

APPLICATION

Verify accessory fitment at Polaris.com.

BEFORE YOU BEGIN

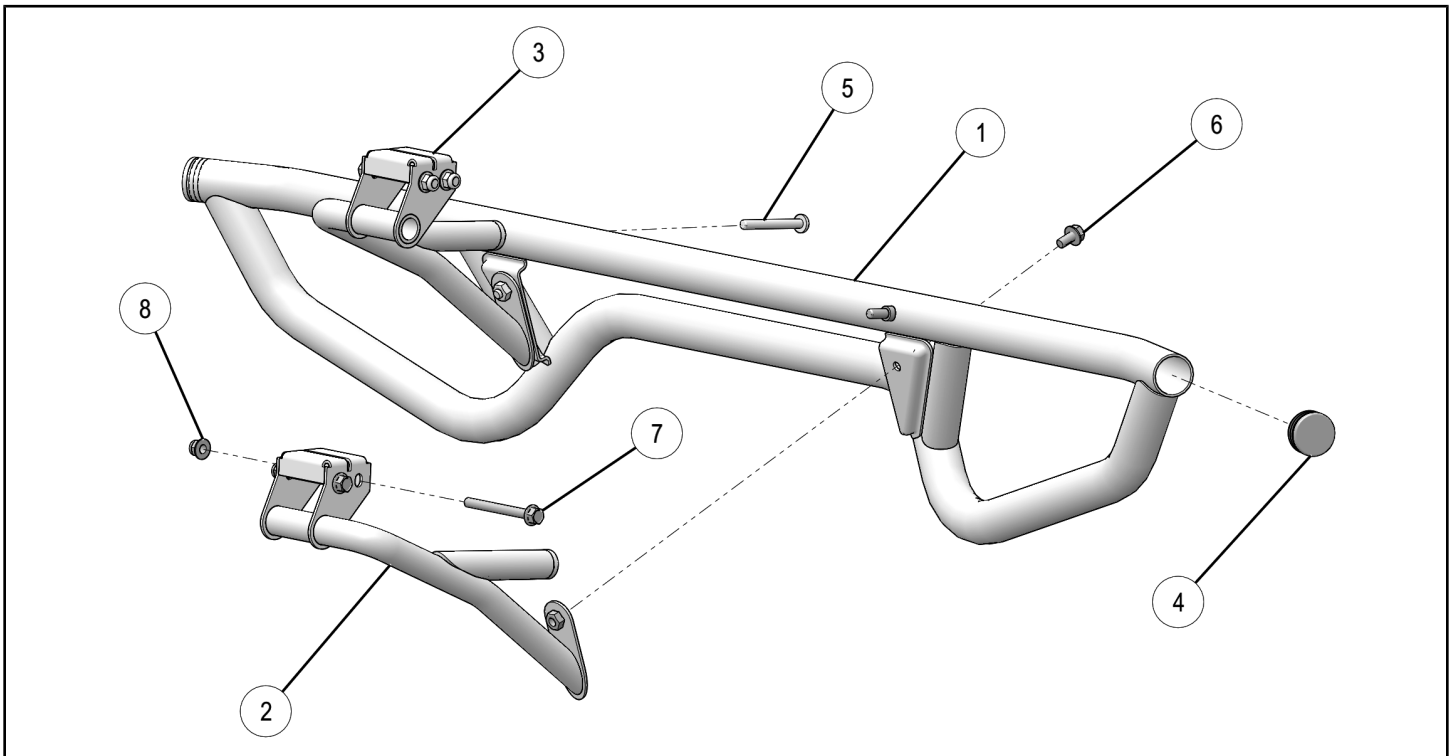
Read these instructions and check to be sure all parts and tools are accounted for. Please retain these installation instructions for future reference and parts ordering information.

KIT CONTENTS

This Kit includes:

NOTE

Kit PN 2881095 shown; kit PN 2884345 similar.



REF	QTY	PART DESCRIPTION	PART NUMBER
1	1	Rear Bumper	-
2	1	Support, Rear Bumper, LH	-
3	1	Support, Rear Bumper, RH	-
4*	2	Plug	5433305
5*	2	Screw, Torx® Pan Head - M8 X 1.25 X 70, 8.8	7518534
6*	2	Screw, Hex Flange, with Locking Patch - M8 X 1.25 X 16, 8.8	7519181
7*	4	Screw, Hex Flange - M8 X 1.25 X 80, 8.8	7519217

REF	QTY	PART DESCRIPTION	PART NUMBER
8*	4	Nut, Hex Flange, Locking - M8 X 1.25, 8.8	7547317
	1	Instructions	9926155

Items marked (*) are included in Hardware Kit PN 2205973.

TOOLS REQUIRED

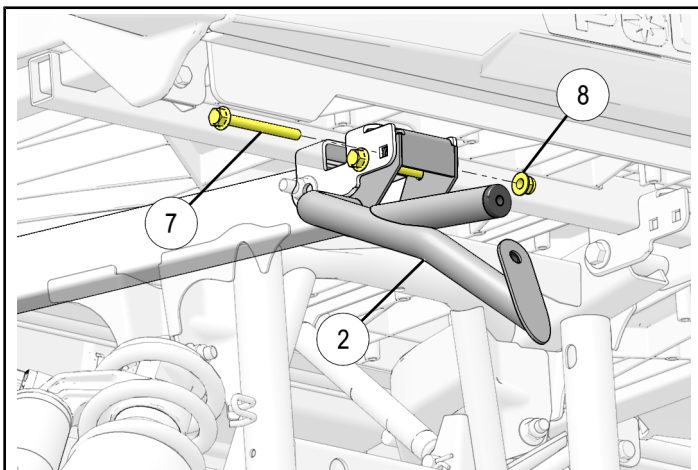
- Safety Glasses
- Socket Set, Metric
- Socket Set, Torx® Bit
- Wrench Set, Metric
- Torque Wrench

IMPORTANT

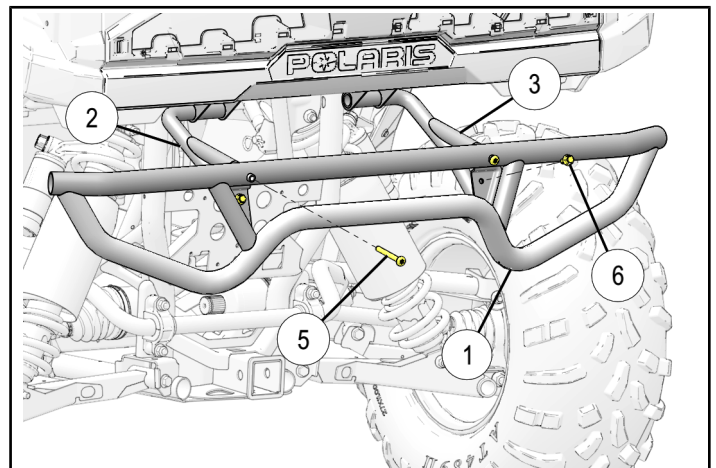
Your REAR SPORT BUMPER KIT is exclusively designed for your vehicle. Please read the installation instructions thoroughly before beginning. Installation is easier if the vehicle is clean and free of debris. For your safety, and to ensure a satisfactory installation, perform all installation steps correctly in the sequence shown.

INSTALLATION INSTRUCTIONS

1. Shift vehicle transmission into "PARK". Turn ignition switch to "OFF" position and remove key.
2. Loosely install LH bumper support ② to vehicle bed structure using two each screws ⑦ and nuts ⑧. Ensure proper orientation: screw heads are outboard, nuts are inboard.
Repeat for opposite side using RH bumper support ③.



3. Loosely install bumper ① to bumper supports ② and ③ using two screws ⑤ at upper mounting locations, and two screws ⑥ at lower mounting locations.



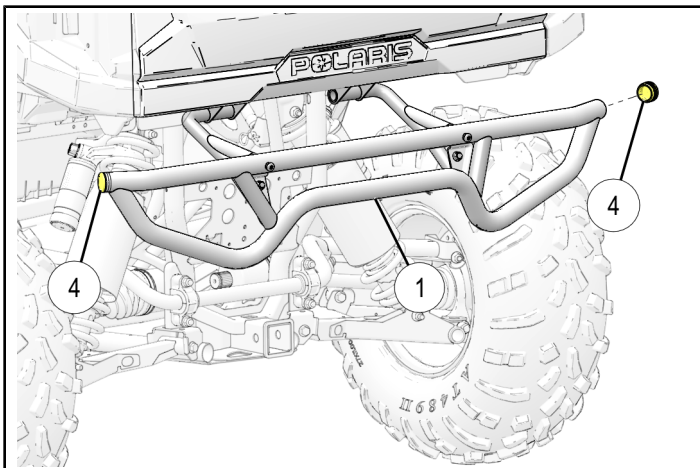
4. Lift bumper ① as high as possible, then torque all eight screws to specification.

TORQUE

10 ft. lbs. (14 Nm) ± 10%

5. Slowly open vehicle box to ensure bumper clears all vehicle components and structure. Adjust as required.

6. Insert plugs ④ into open ends of bumper ①.



FEEDBACK FORM

A feedback form has been created for the installer to provide any comments, questions or concerns about the installation instructions. The form is viewable on mobile devices by scanning the QR code or by clicking [HERE](#) if viewing on a PC.

