

EV BATTERY KIT



P/N 2880555

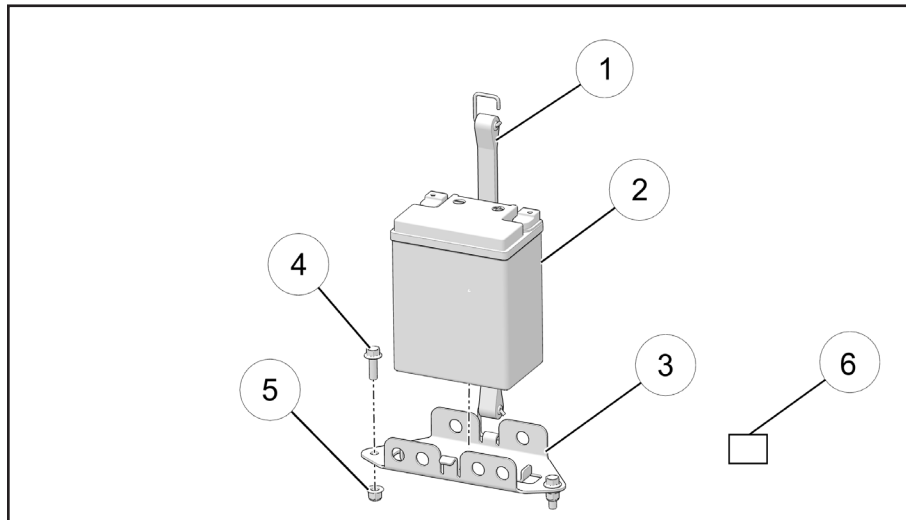
APPLICATION

2015 AND NEWER RANGER EV

BEFORE YOU BEGIN

Read these instructions thoroughly and make sure all parts and tools are accounted for. Please retain these installation instructions for future reference and parts ordering information.

IMPORTANT: Some vehicles will require an additional wire harness kit to complete installation. Refer to Step 10 below to determine if the kit is required for your application.



KIT CONTENTS

Ref	Qty	Part Description	Part Number
1	1	Battery Strap Assembly	2635371
2	1	Sealed Battery, 14AH, ETX 15	4011138
3	1	Battery Mount Bracket	5260378
4	2	Hex Bolt-M8X1.25X25, Flange, Olive D	7518514
5	2	Flange Nut-M8X1.25, Nyloc, Olive D	7547332
6	1	Harness Kit	2881256
	1	Instructions	9926123

TOOLS NEEDED

Safety Glasses

APPROXIMATE ASSEMBLY TIME

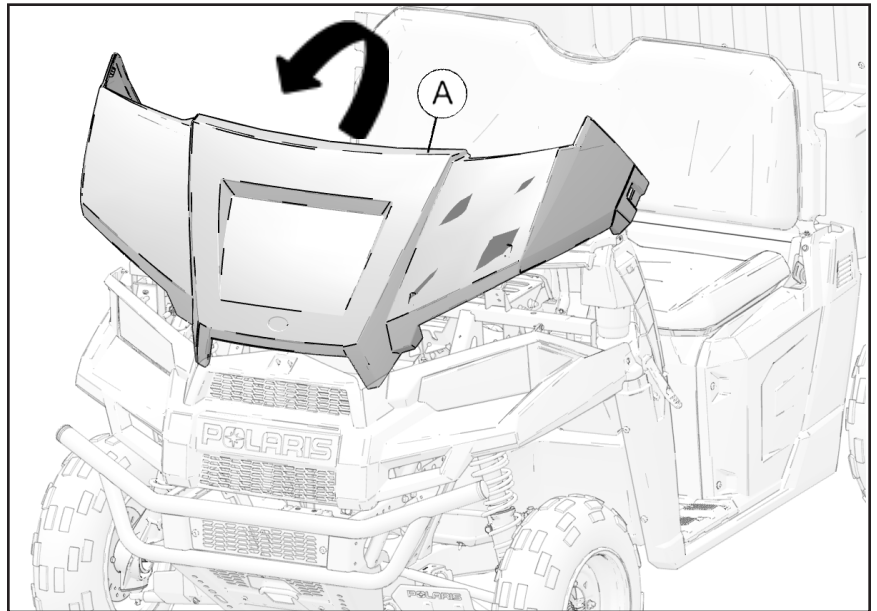
15 mins

IMPORTANT

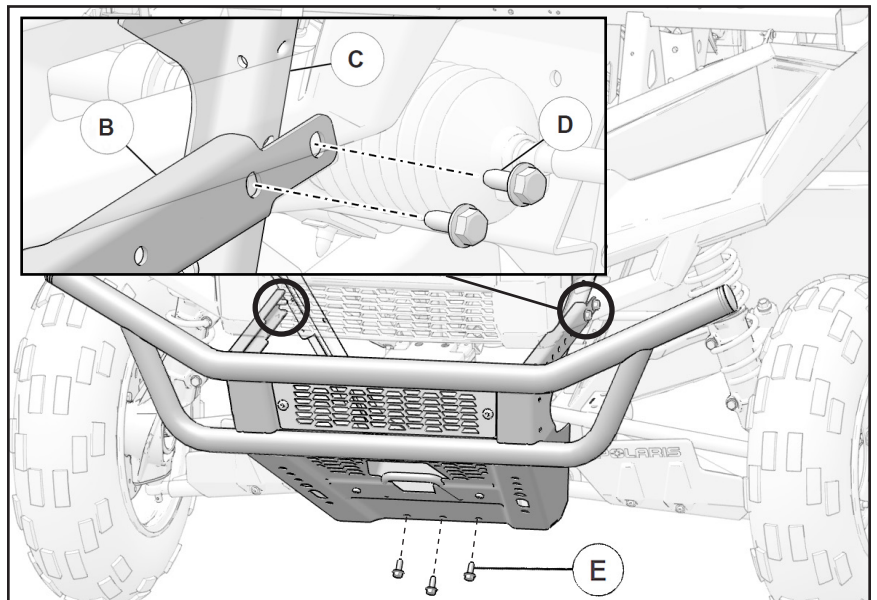
Your Polaris EV BATTERY KIT is exclusively designed for your vehicle. Please read the installation instructions thoroughly before beginning. Installation is easier if the vehicle is clean and free of debris. For your safety, and to ensure a satisfactory installation, perform all installation steps correctly in the sequence shown.

INSTALLATION INSTRUCTIONS

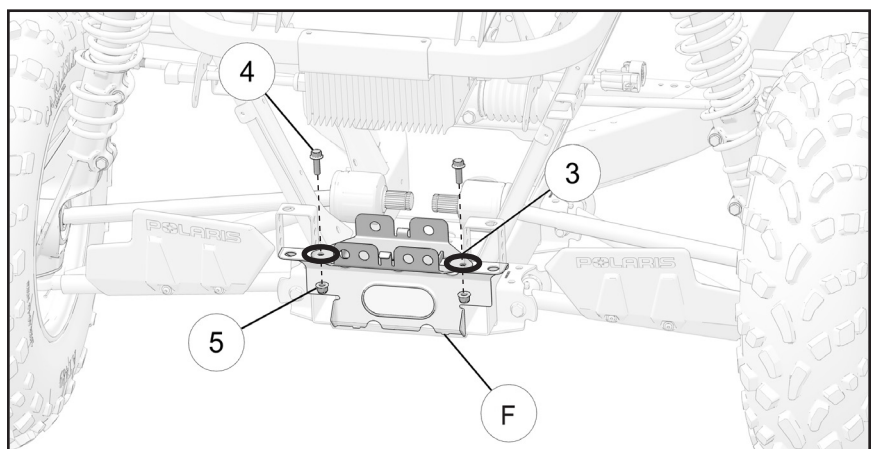
1. Place the vehicle in Park.
2. Turn the key to the "OFF" position and remove the key from the ignition.
3. Open the side hood latches and flip open the vehicle hood (A).



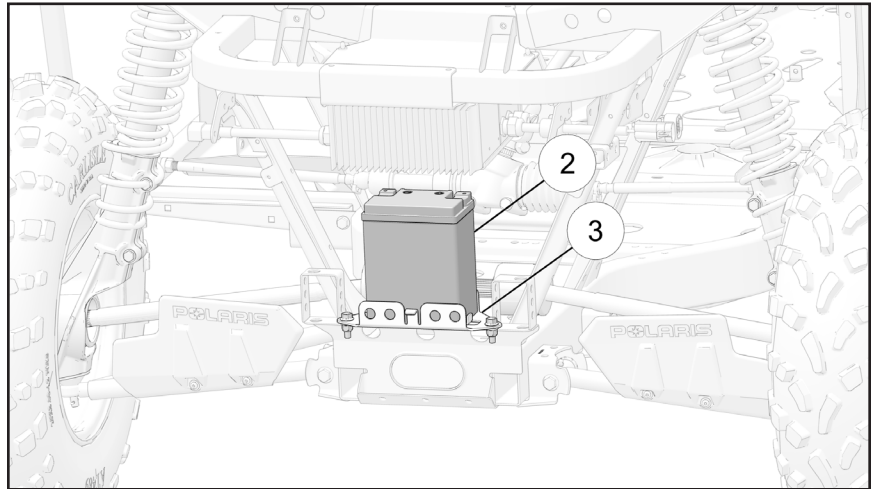
4. Disconnect the black negative and the red positive cables from the main 48V pack battery.
5. Remove the front bumper by removing three M8 screws (E) from the front of the bumper and four M8 screws (D) attaching the two bumper bracket mounts (B) to the strut support bracket (C). See figure.



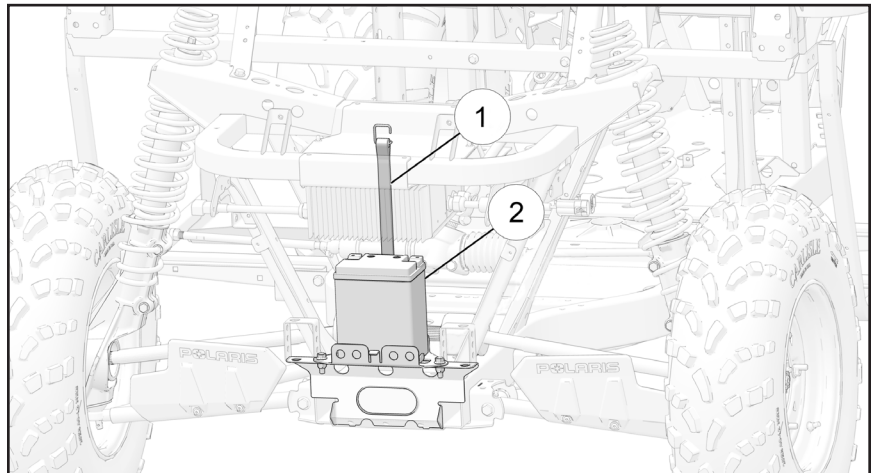
6. Place the battery mount bracket (3) against lower skid plate (F) as shown. Drill two holes on mark as shown in figure. Install two M8 bolts (4) and M8 nuts (5) to secure the mounting bracket to the frame. Torque the bolts to 18 ft. lbs. (24.4 Nm).



7. Place the battery (2) on the mounting bracket (3).



8. Secure the battery (2) with the strap (1). Secure the strap to the frame by hook up.

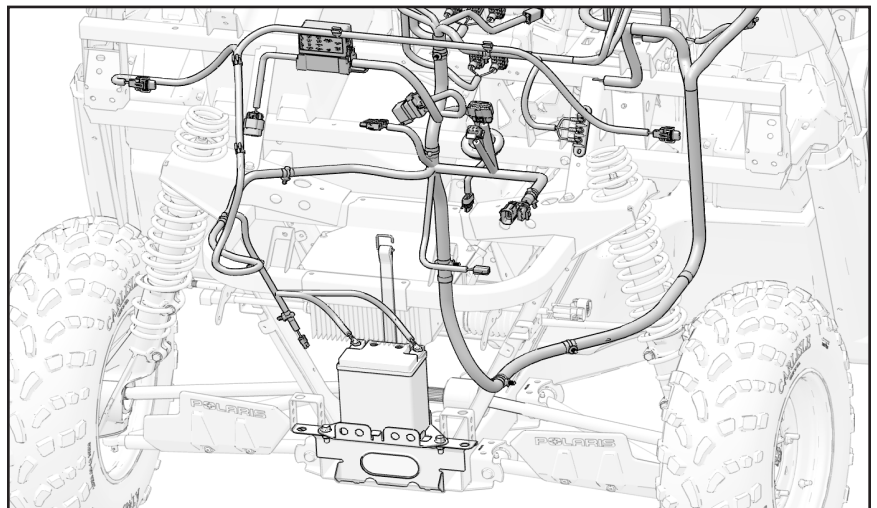


9. Reroute the wires as shown in figure below. Connect the positive and negative cables to the respective battery terminals.

IMPORTANT: Remove “Black tear tape” and “Yellow Heat Shrink” from battery “+” (labeled 12V) and “-” terminals.

IMPORTANT: If the terminals DO NOT have black covering on them, skip to Step 18 (final step).

If the terminals DO have black covering, proceed to Step 10.



NOTE: To avoid overcharging the 12V batteries, this charging system only functions when the vehicle key is in the “ON” position. The 12V battery kit will recharge from the drive system batteries while you are driving the vehicle. To prevent possible accidents and injuries, Polaris strongly recommends against leaving the vehicle key in the “ON” position while recharging the vehicle’s drive system batteries.

ELECTRICAL CONNECTIONS

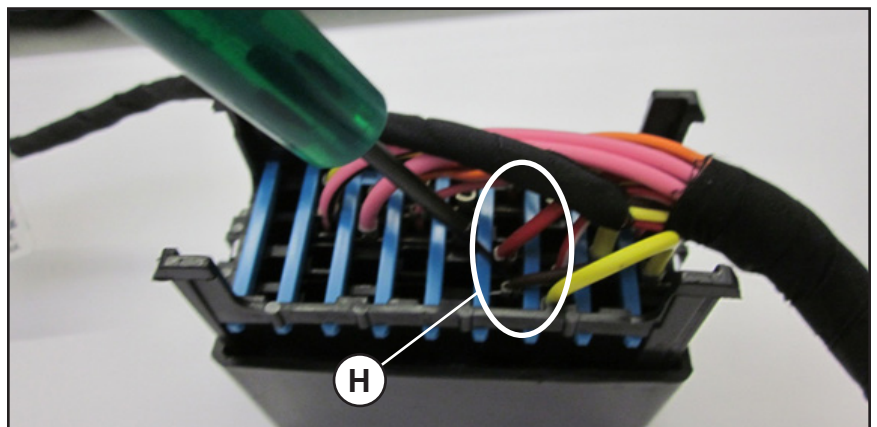
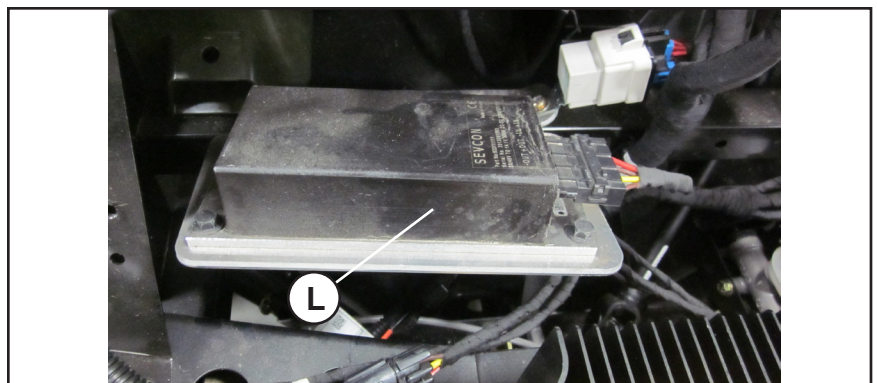
10. Disconnect the seven cavity chassis harness connector (G) from the 48 VDC battery pack located by the contactor.



11. Disconnect DC-DC convertor (L).

12. Remove fuse/relay block.

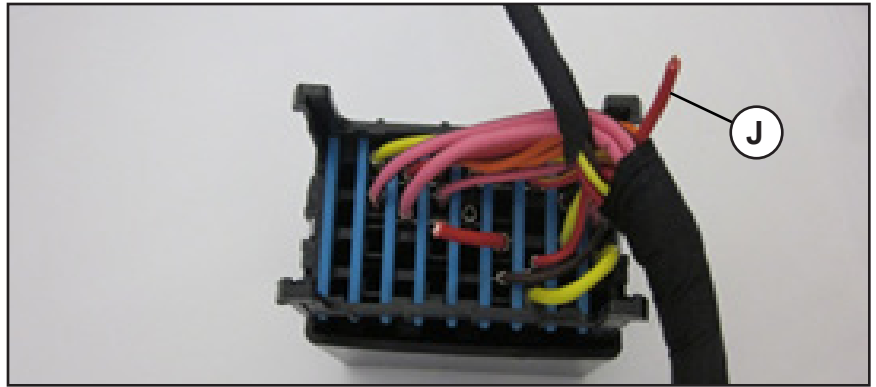
- i. Remove the back cover.
- ii. Identify cavity C6 (H) (reference the image and fuse label image). It will have a red wire, circuit 082, 14 Ga.



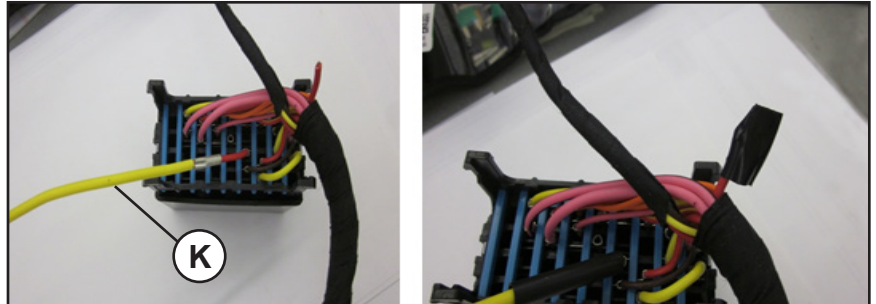
Fuse Label				
SPARE (48V) 20A	SPARE 2A	SPARE 20A	SWITCHED AUX BATTERY RELAY C6 X	AUX BAT 30A
	SPARE 10A	SPARE 30A		
SPARE (48V) 30A 781492	LSV 2A	INDICATOR 2A	LIGHTS 10A	SWITCHED POWER RELAY
	CHASSIS 20A	ACCESSORY 10A		

Red Wire

13. Cut the red wire (J). Strip the fuse block side and apply electrical tape to the harness side.



14. Slide the barrel splice and yellow wire (K) onto the stripped fuse block wire. Crimp and apply heat shrink to the exposed conductor.



15. Attach back cover to the fuse block.
16. Harness kit (6) connects to the DC-DC convertor (L) and chassis harness (N).
17. Reconnect the chassis harness seven cavity connector to the 48 VDC battery pack.
18. Reinstall the front bumper and hood removed in Step 5 and Step 3.

