

# SKID PLATE KIT



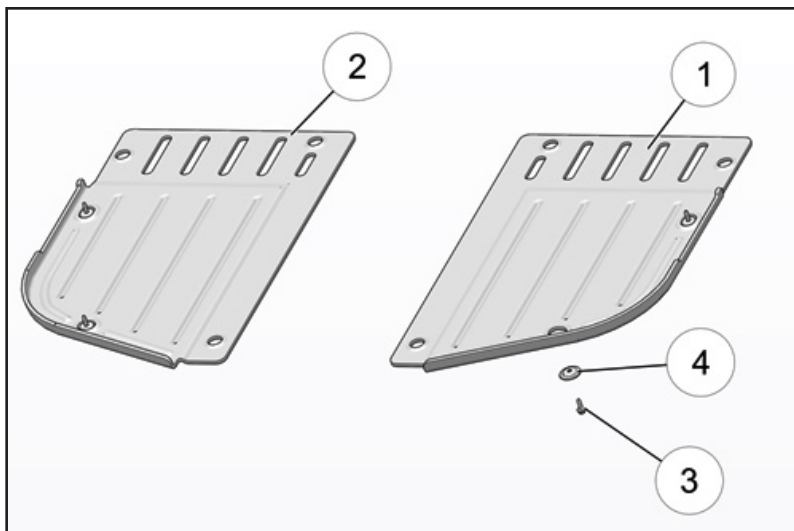
P/N 2879686

## APPLICATION

RANGER 900XP

## BEFORE YOU BEGIN

Read these instructions thoroughly and make sure all parts and tools are accounted for. Please retain these installation instructions for future reference and parts ordering information.



## KIT CONTENTS

Ref	Qty	Part Description	Part Number
1	1	LH Skid Plate	5450877
2	1	RH Skid Plate	5450878
3*	4	Screw-M6X20	7518529
4*	4	Washer	7556065
	1	Instructions	9926046

ITEMS MARKED (\*) ARE INCLUDED IN HARDWARE KIT PN 2205224.

## TOOLS NEEDED

Metric Wrench Set

Metric Socket Set and Ratchet

Safety Glasses

Torx Driver

## APPROXIMATE ASSEMBLY TIME

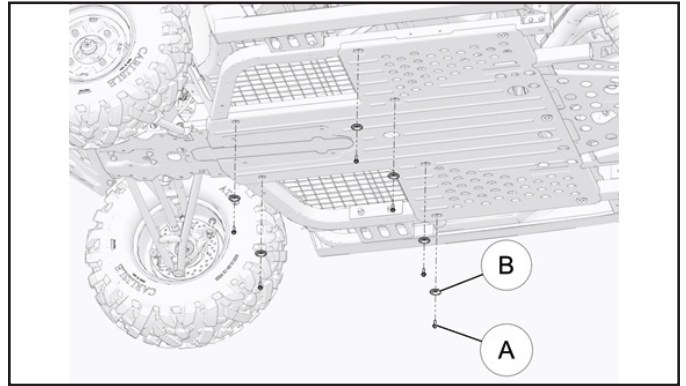
20 - 25 mins

## IMPORTANT

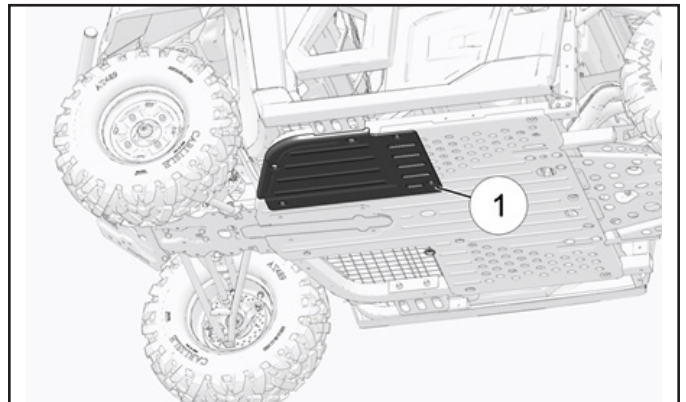
Your Polaris SKID PLATE KIT is exclusively designed for your vehicle. Please read the installation instructions thoroughly before beginning. Installation is easier if the vehicle is clean and free of debris. For your safety, and to ensure a satisfactory installation, perform all installation steps correctly in the sequence shown.

## INSTALLATION INSTRUCTIONS

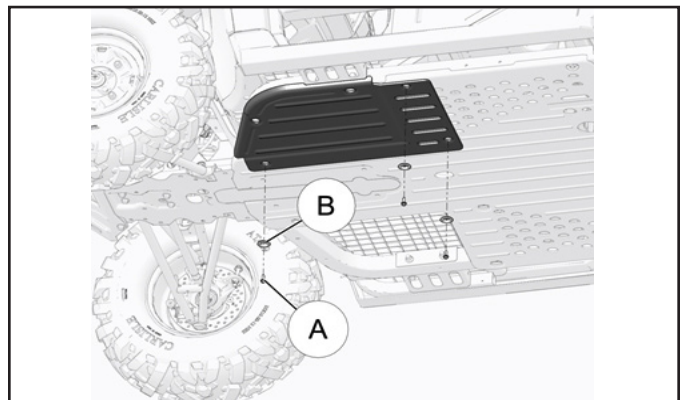
1. Place the vehicle in "PARK" and turn the key to "OFF" position. Remove the key from the vehicle.
2. Remove six screws (A) and relevant washers (B) attached on existing skid plate, Retaining fasteners for reuse as shown in figure.



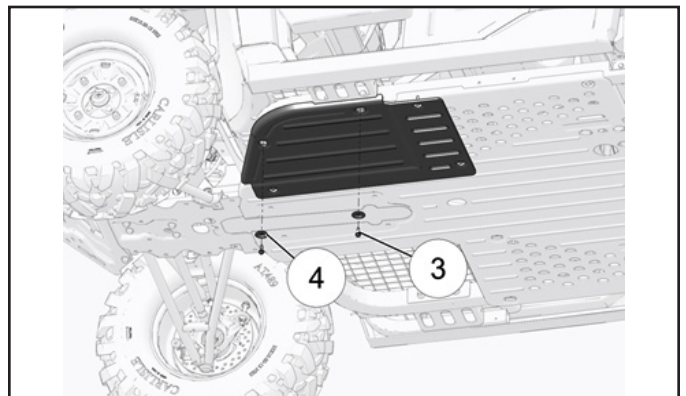
3. Align left hand side skid plate (1) with holes of existing skid plate as shown in figure.



4. Fasten three screws (A) and relevant washers (B) removed in step 1 as shown in figure. Tighten screws to torque 15 ft. lbs. (20.33 Nm).



5. Fasten two M6 screws (3) and washers (4) as shown in figure. Tighten screws to torque 15 ft. lbs. (20.33 Nm).



6. Repeat Steps 3-5 to install the RH side skid plate (2).