

SOLO RACK KIT



P/N 2880900-XXX, 2884114-XXX

APPLICATION

Verify accessory fitment at www.indianmotorcycle.com.

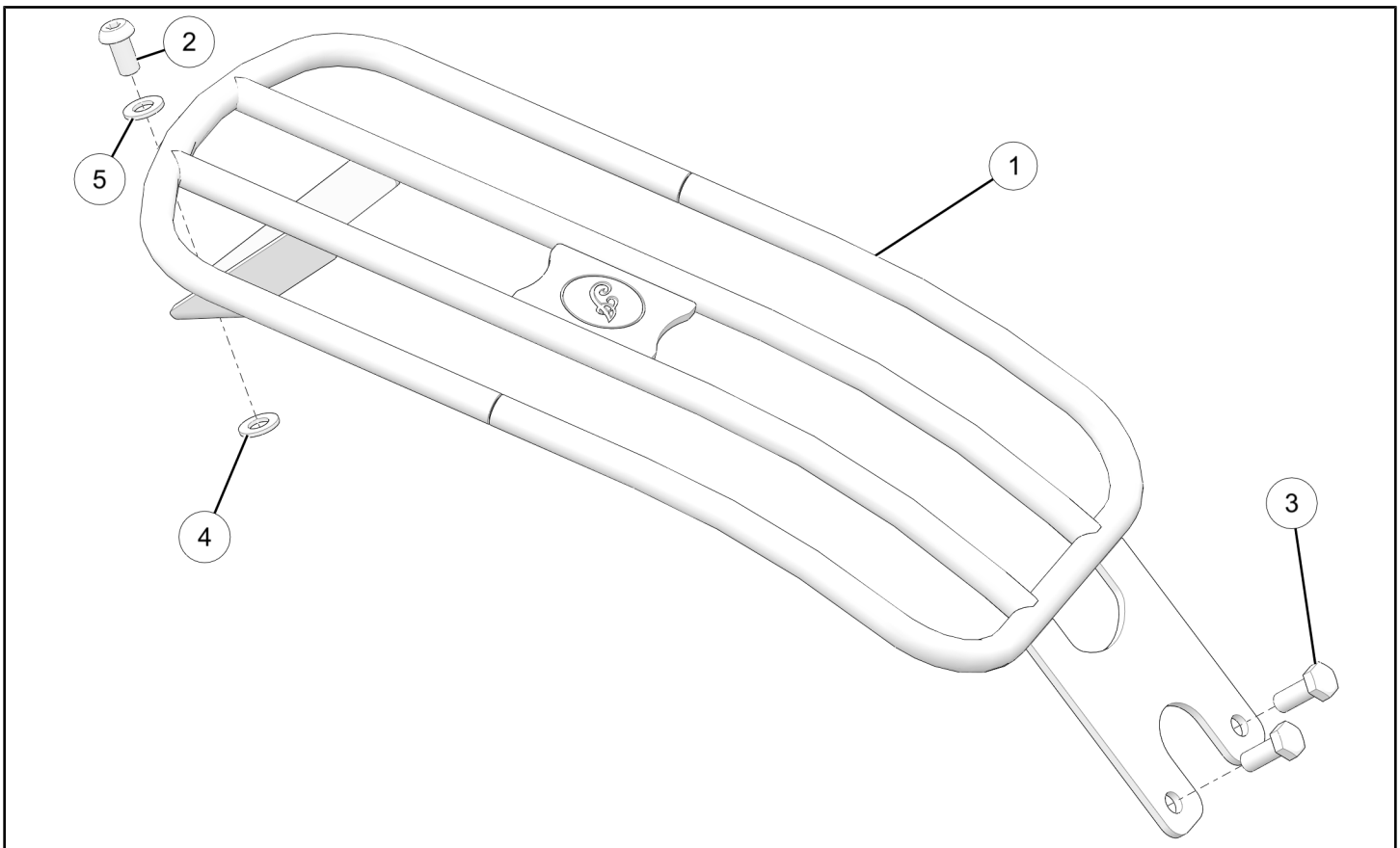
IMPORTANT

This kit is not compatible with the Sport Seat Kit PN: 2881997-XX or with any passenger seat kits.

BEFORE YOU BEGIN

Read these instructions and check to be sure all parts and tools are accounted for. Please retain these installation instructions for future reference and parts ordering information.

KIT CONTENTS



NOTE

XXX = Indian® color code (For example: 266 = Black)

REF	QTY	PART DESCRIPTION	P/N AVAILABLE SEPARATELY
1	1	Rack, Solo	1024630
2	1	Screw, Hex Button Head, M8 X 1.25 X 16	7517359
3	2	Screw, Hex Head, M8 X 1.25 X 20	7518097

REF	QTY	PART DESCRIPTION	P/N AVAILABLE SEPARATELY
4	1	Washer, 8.4 X 16 X 1.6, Black Plastic	7555988
5	1	Washer, 8.4 X 16 X 1.6, Stainless Steel	7556254

TOOLS REQUIRED

- Safety Glasses
- Socket Set, Metric
- Socket Set, Hex Bit, Metric
- Torque Wrench

IMPORTANT

Your Indian Motorcycle® Solo Rack Kit is exclusively designed for your vehicle. Please read the installation instructions thoroughly before beginning. Installation is easier if the vehicle is clean and free of debris. For your safety, and to ensure a satisfactory installation, perform all installation steps correctly in the sequence shown.

INSTALLATION INSTRUCTIONS

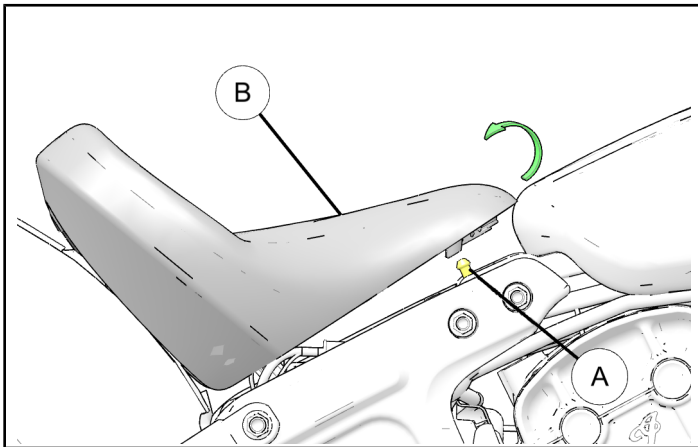
VEHICLE PREPARATION

GENERAL

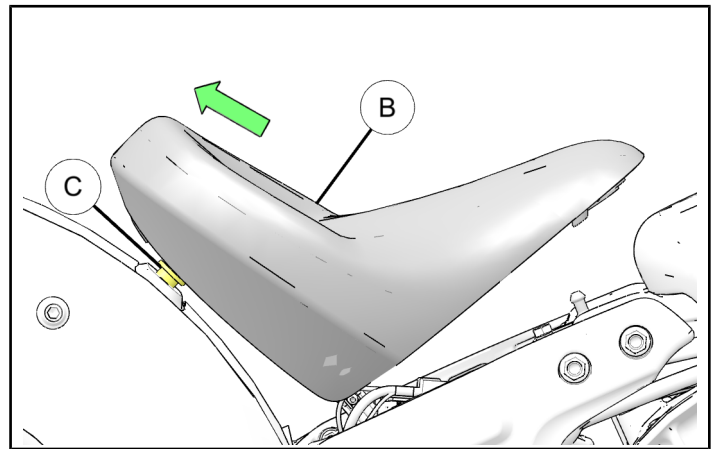
1. Turn key or ignition switch to **OFF** position and remove key.
2. Ensure motorcycle is parked on a flat surface, kickstand is fully extended, and vehicle is stable prior to installation.

SCOUT STOCK SEAT REMOVAL

1. Lift up on front of seat **B** to disengage from seat retention post **A**.



2. Pull seat **B** up and rearward to disengage rear mount **C** and remove seat from bike.

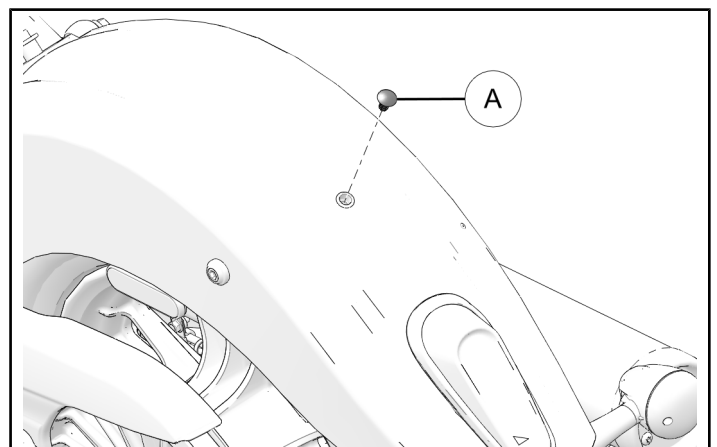


ACCESSORY INSTALLATION

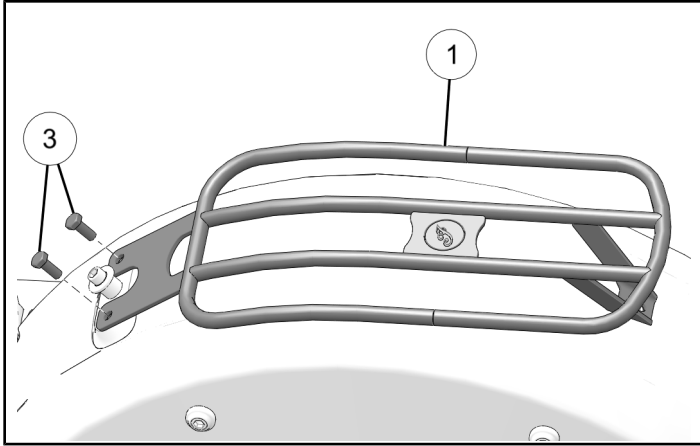
CAUTION

Protect painted surfaces with protective cloth during installation.

1. Remove and discard plastic plug **A** from threaded insert above taillight in fender.



- Position rack ① on fender and align mounting holes. Loosely install two screws in front holes. **DO NOT** tighten screws at this time.



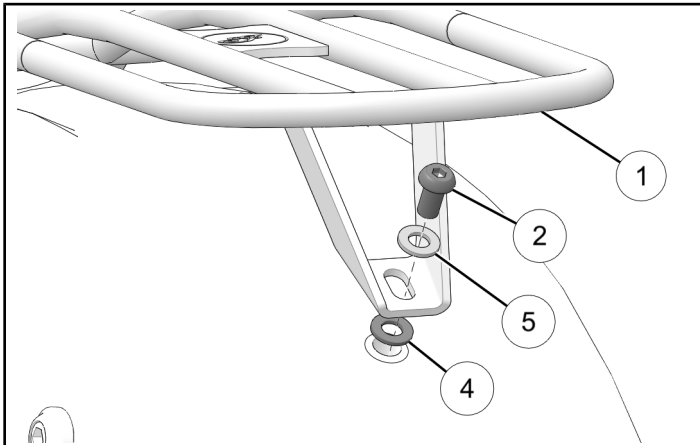
- Lift rear of rack ① slightly and secure black plastic washer ④ under rack mount and stainless steel washer ⑤ above mount with screw ②. Align rack and tighten all three fasteners to specification.

TORQUE

Front Rack Mount Screws ③:
18 ft-lbs (24 N·m)

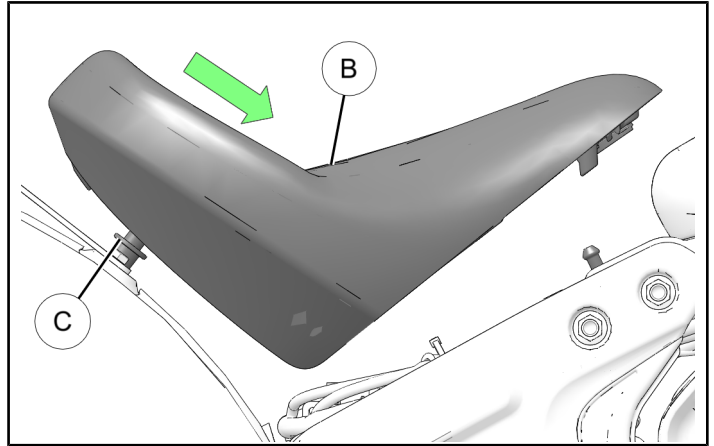
TORQUE

Rear Rack Mount Screw ②:
10 ft-lbs (13 N·m)

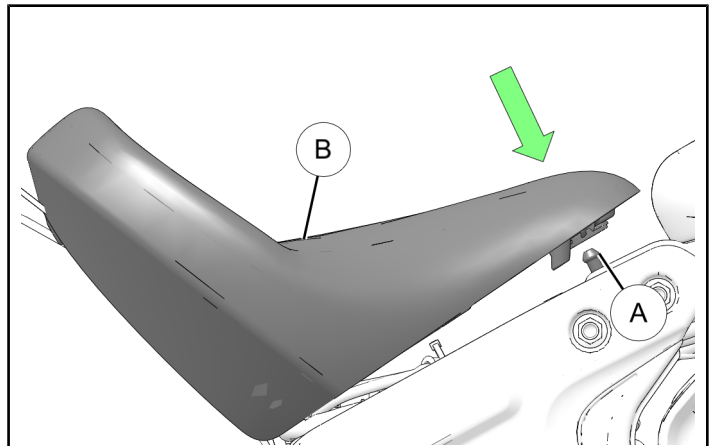


SCOUT STOCK SEAT INSTALLATION

- Engage seat ⑥ to retainer post ③.



- Press downward firmly at front edge of seat to engage stud ④ to seat base grommet.



- Pull up gently on seat to ensure complete engagement.

⚠ WARNING

If seat is not aligned in a straight-ahead position, grommet is not engaged to the stud. Ensure grommet is fully engaged to stud before operating. Failure to engage seat may result in injury or death.

FEEDBACK FORM

A feedback form has been created for the installer to provide any comments, questions or concerns about the installation instructions. The form is viewable on mobile devices by scanning the QR code or by clicking [HERE](#) if viewing on a PC.

