

REAR A-ARM GUARD KIT

P/N 2880554

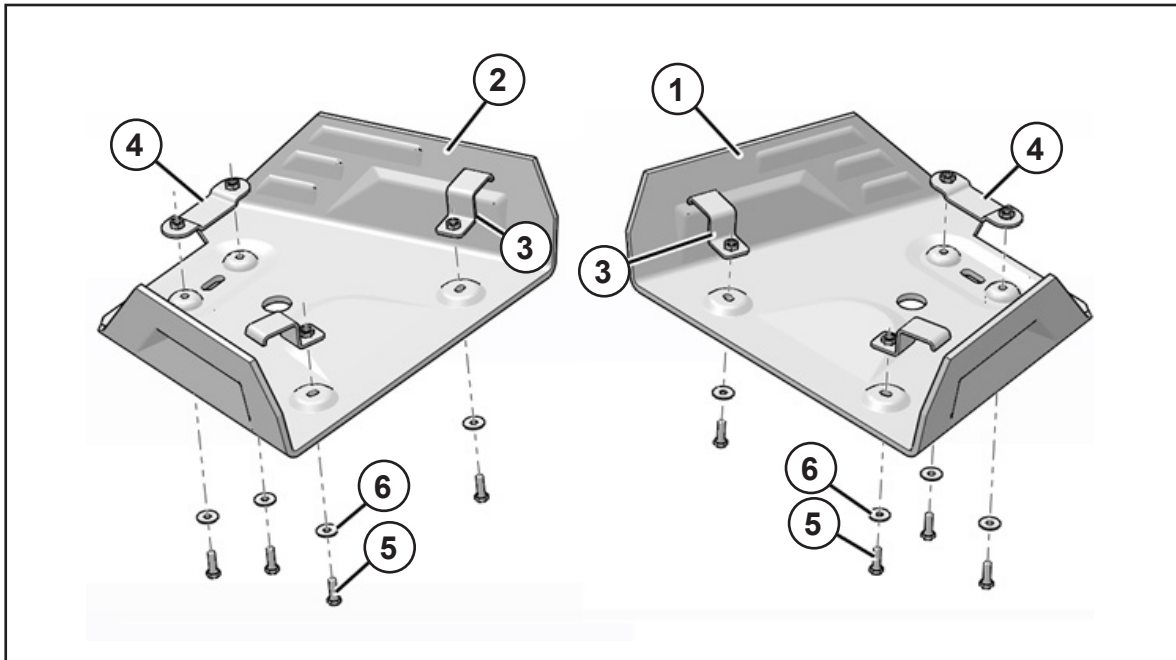


APPLICATION

RANGER 900, RANGER 900 XP

BEFORE YOU BEGIN

Read these instructions thoroughly and make sure all parts and tools are accounted for. Please retain these installation instructions for future reference and parts ordering information.



KIT CONTENTS

Sr. No.	Qty	Part Description	Part Number
1	1	Rear A-Arm Guard, LH	-
2	1	Rear A-Arm Guard, RH	-
3*	4	Boot Clamp	-
4*	2	Bracket	-
5*	8	Screw, TXBH, M6X1.0X8	-
6*	8	Flat Washer, 1/4", Black	-
	1	Instructions	9925649

ITEMS MARKED (*) ARE INCLUDED IN HARDWARE KIT PN 2205737.

TOOLS NEEDED

Safety Goggles

Metric Wrench Set

Metric Socket Set

APPROXIMATE ASSEMBLY TIME

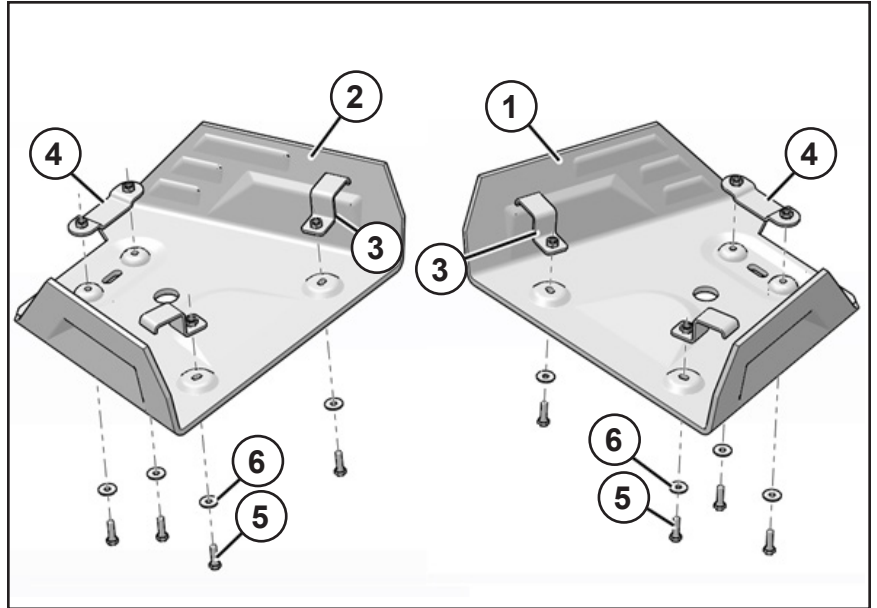
10 min

IMPORTANT

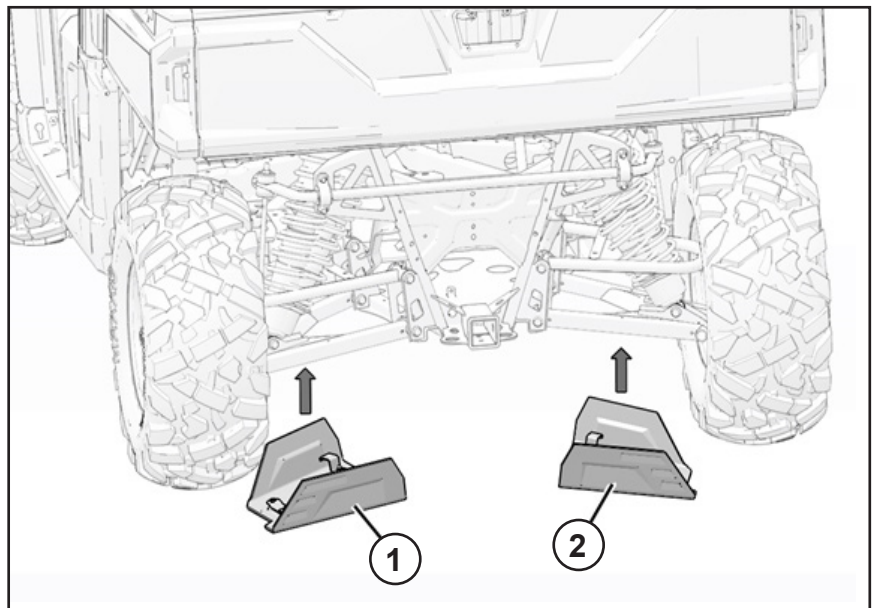
Your REAR A-ARM GUARD KIT is exclusively designed for your vehicle. Please read the installation instructions thoroughly before beginning. Installation is easier if the vehicle is clean and free of debris. For your safety, and to ensure a satisfactory installation, perform all installation steps correctly in the sequence shown.

INSTALLATION INSTRUCTIONS

1. Place the vehicle in “**PARK**”. Turn the key to “**OFF**” position and remove from the vehicle.
2. Loosely install the clamps on the Rear A-Arm guards using M6 screws as shown in figure.



3. Adjust and install Rear A-Arm guards on the A-Arms as shown in figure.



4. Tighten the M6 screws to torque 8 ft. lbs. (10.8 Nm) as shown in figure.

