

REAR A-ARM GUARD KIT



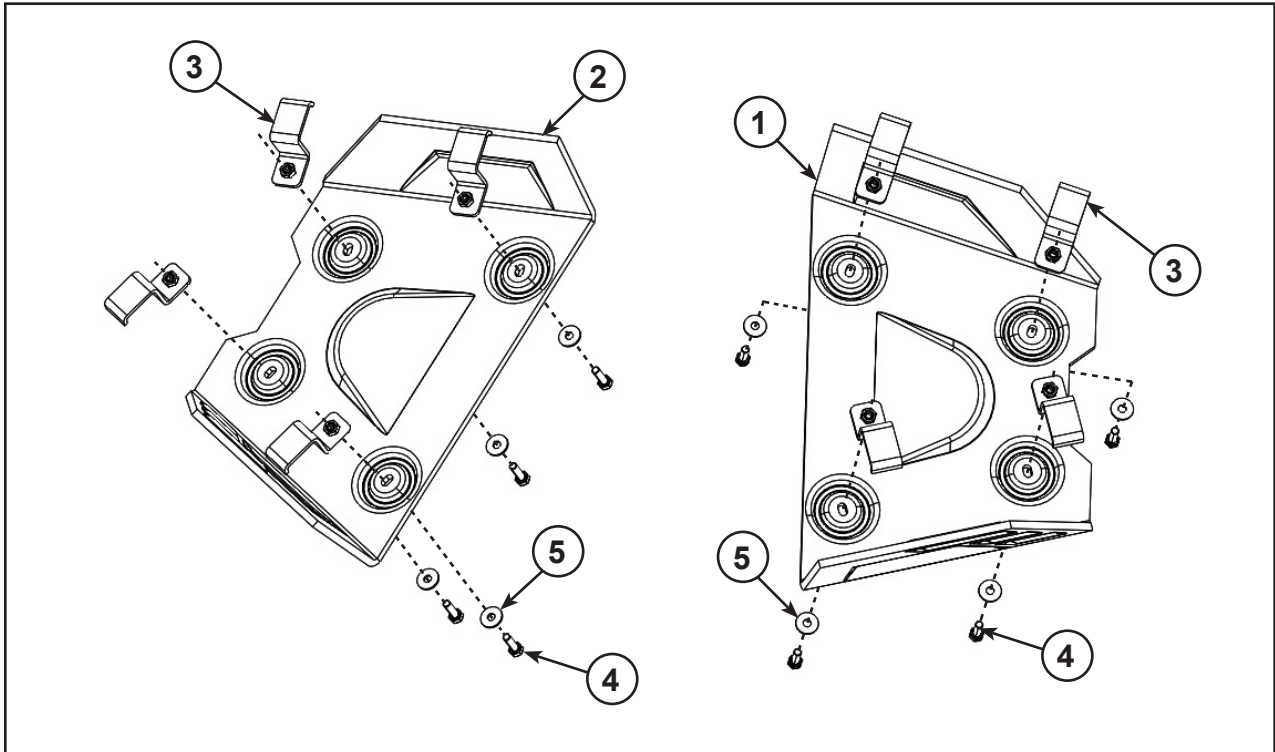
P/N 2880551

APPLICATION

RANGER 570 AND RANGER ETX

BEFORE YOU BEGIN

Read these instructions thoroughly and make sure all parts and tools are accounted for. Please retain these installation instructions for future reference and parts ordering information.



KIT CONTENTS

Ref	Qty	Part Description	Part Number
1	1	Rear A-Arm Guard, LH	-
2	1	Rear A-Arm Guard, RH	-
3*	8	Boot Clamp	-
4*	8	Screw, TXBH, M6x1.0x8	-
5*	8	Flat Washer, 1/4", Black	-
	1	Instructions	9925647

ITEMS MARKED (*) ARE INCLUDED IN HARDWARE KIT PN 2205735.

TOOLS NEEDED

Safety Goggles Metric Wrench Set Metric Socket Set Torx Wrench

APPROXIMATE ASSEMBLY TIME

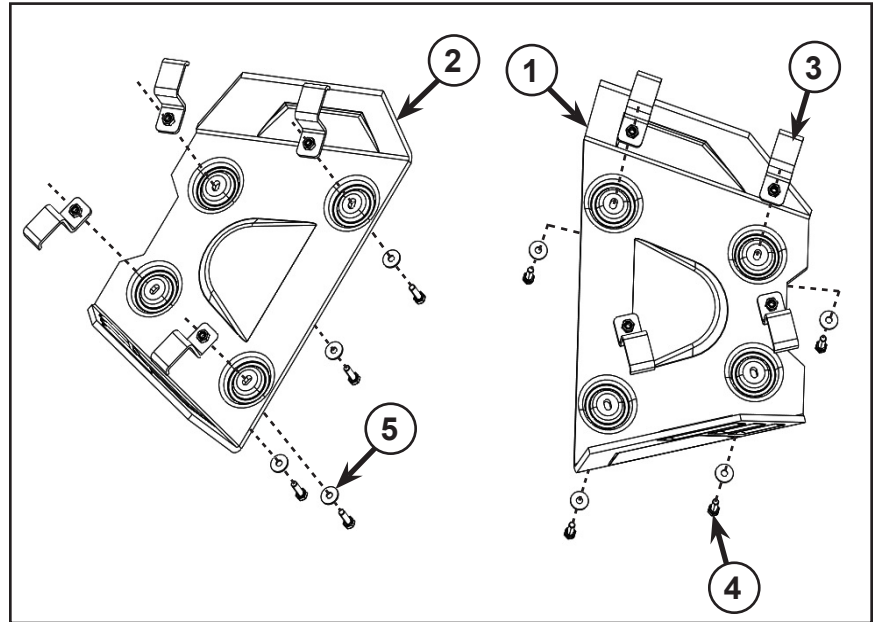
10 min

IMPORTANT

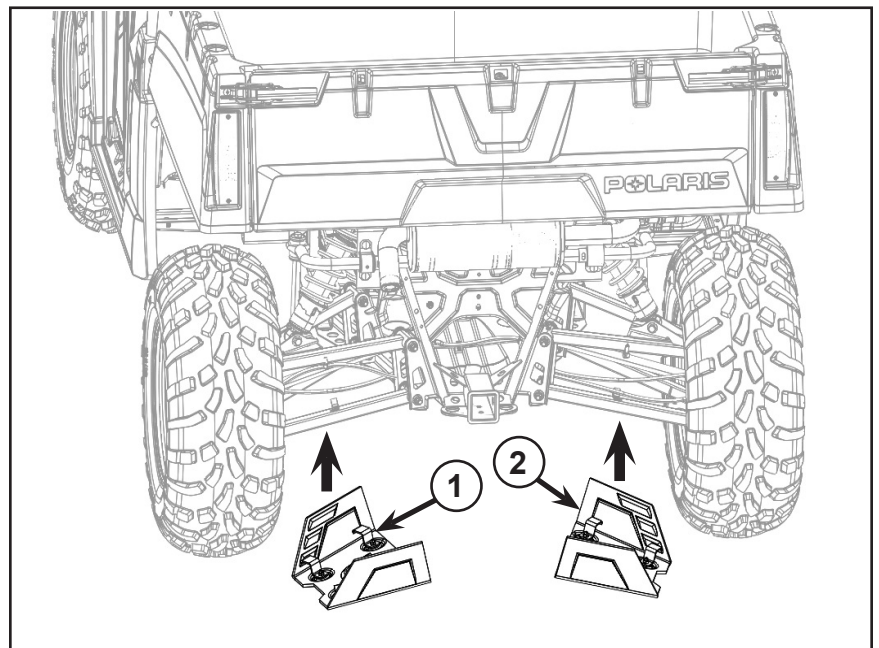
Your Polaris REAR A-ARM GUARD KIT is exclusively designed for your vehicle. Please read the installation instructions thoroughly before beginning. Installation is easier if the vehicle is clean and free of debris. For your safety, and to ensure a satisfactory installation, perform all installation steps correctly in the sequence shown.

INSTALLATION INSTRUCTIONS

1. Place the vehicle in “**PARK**”. Turn the key to “**OFF**” position and remove from the vehicle.
2. Loosely install the clamps (3) on the rear A-arm guards (1 and 2) using M6 screws (4) and flat washers (5) as shown in figure.



3. Adjust and install rear A-Arm guards (1 and 2) on the A-Arms as shown in figure.



4. Tighten the M6 screws to torque 8 ft. lbs (10.8 Nm).

