

SKID PLATE KIT



P/N 2880383 (ULTIMATE); 2880384 (EXTREME)

APPLICATION

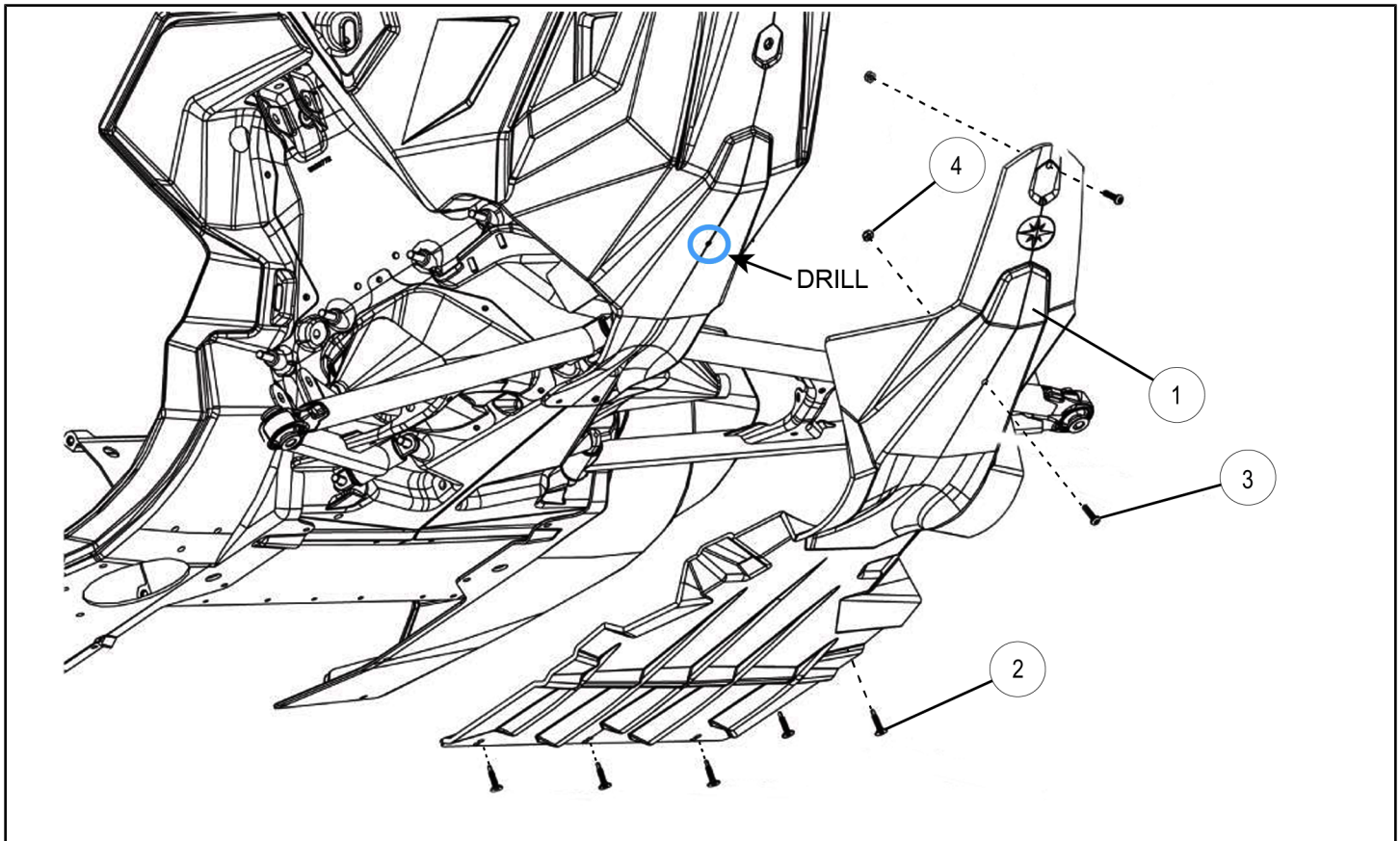
Polaris AXYS Models

BEFORE YOU BEGIN

Read these instructions and check to be sure all parts and tools are accounted for. Please retain these installation instructions for future reference and parts ordering information.

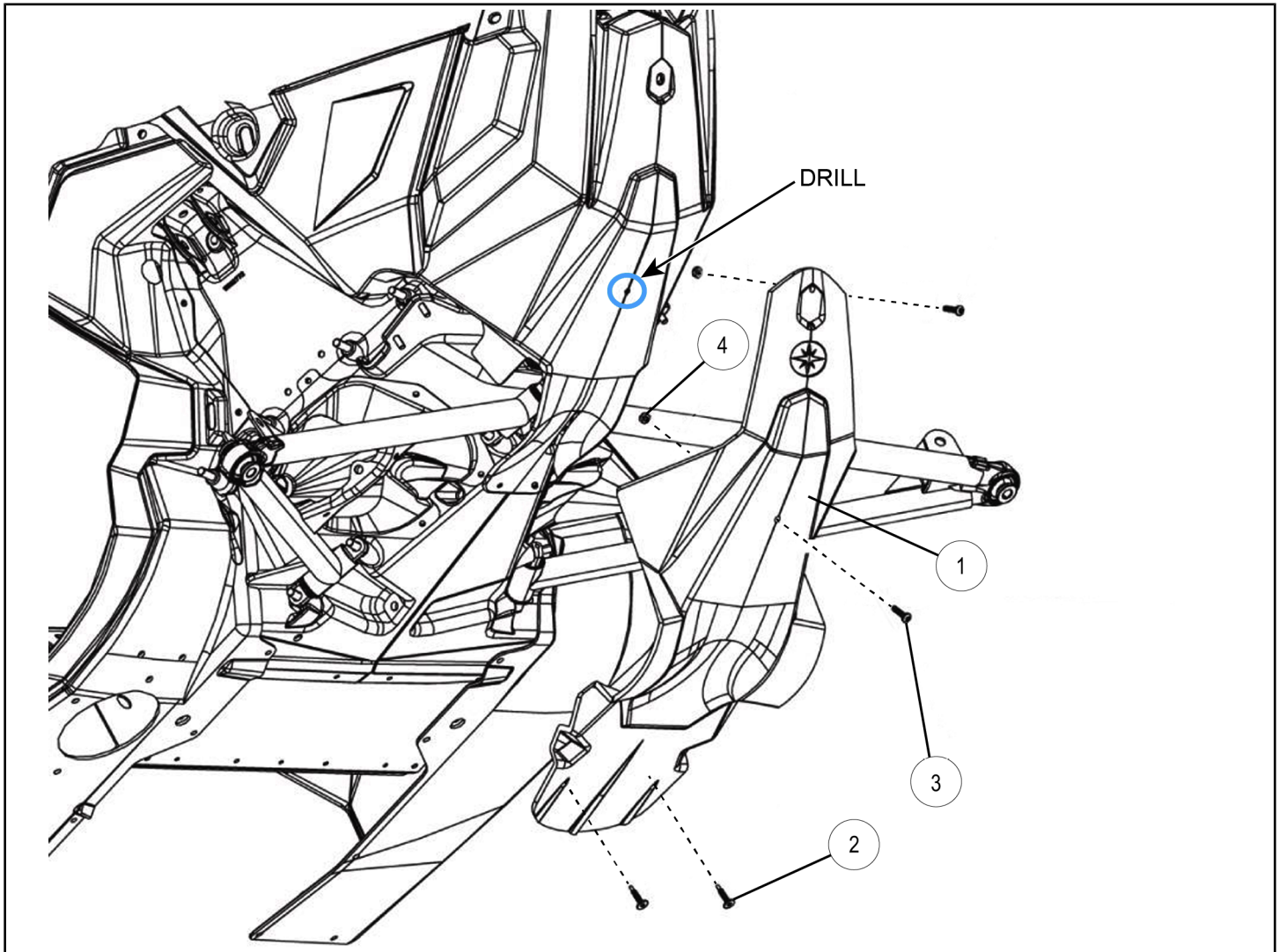
KIT CONTENTS

Kit P/N 2880383 includes:



REF	QTY	PART DESCRIPTION	PART NUMBER
1	1	Skid Plate	-
2	5	Self Drilling Screws #10 - 16 X 1"	-
3	1	Bolt - M6 X 25mm	7518533
4	1	M6 Nylon Nut	7547339
	1	Instructions	9925586

Kit P/N 2880384 includes:



REF	QTY	PART DESCRIPTION	PART NUMBER
1	1	Skid Plate	-
2	2	Self Drilling Screws #10 - 16 X 1"	-
3	1	Bolt - M6 X 25mm	7518533
4	1	M6 Nylon Nut	7547339
	1	Instructions	9925586

TOOLS REQUIRED

- T25 Torx® Bit
- Electric Screwdriver
- 10mm Socket
- Ratchet Wrench
- 1/4" Drill Bit
- T40 Torx® Socket
- 10mm Wrench

IMPORTANT

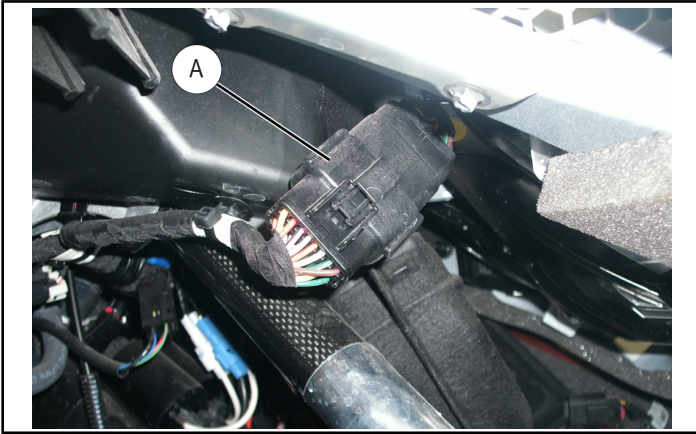
Your SKID PLATE KIT is exclusively designed for your vehicle. Please read the installation instructions thoroughly before beginning. Installation is easier if the vehicle is clean and free of debris. For your safety, and to ensure a satisfactory installation, perform all installation steps correctly in the sequence shown.

ASSEMBLY TIME

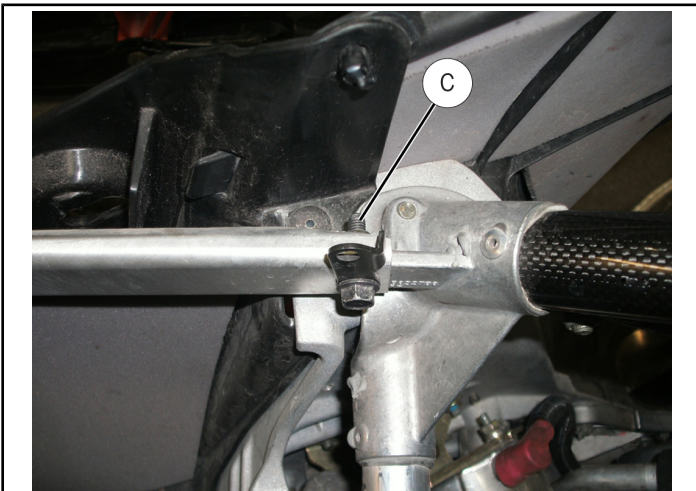
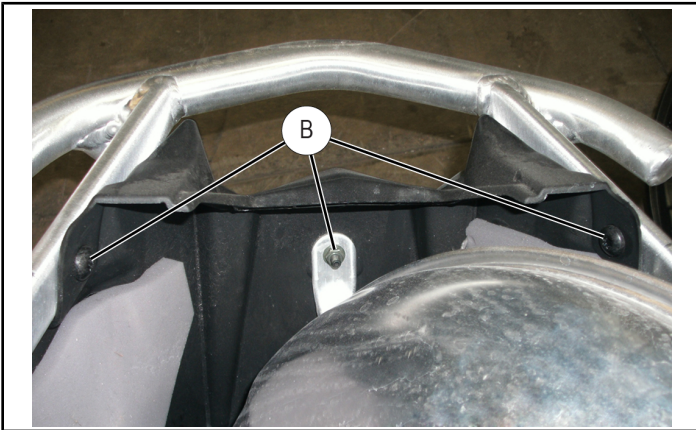
Approximately 30 minutes

INSTALLATION INSTRUCTIONS

1. Remove both side panels, unplug hood harness (A) connector as shown, and remove hood.



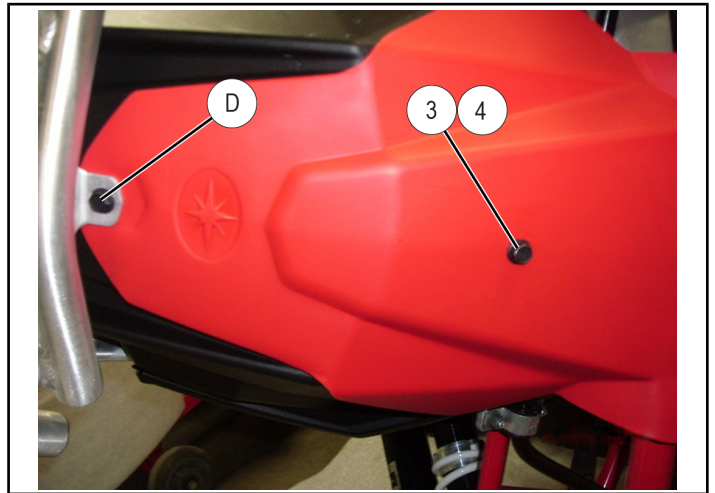
2. Using a 10mm socket, wrench and a T-40 torx® socket, remove the three front bumper mounting fasteners (B) as shown. Loosen but don't remove the two rear mounting fasteners (C). Keep original fasteners for reassembly.



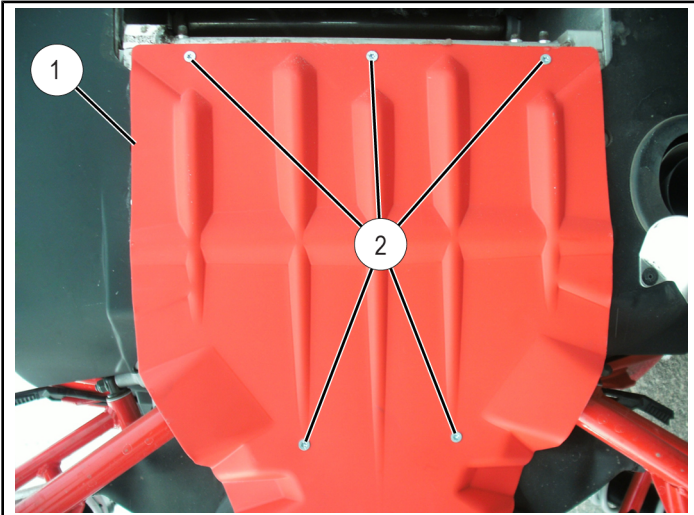
3. Place protective mat on floor to protect against scratching the exterior surfaces and carefully tip vehicle on its side.
4. Position the skid plate under the front bumper mounting tab and loosely install the original bumper mounting bolt (D) and nut through the bumper tab, skid plate and nose pan as shown.
5. Center the skid plate with the sides of the bulkhead. Holding the skid plate centered transfer drill through the hole in the skid plate and through the nose pan. Install the provided bolt (3) through the skid plate and nose pan as shown. Install the nylon nut (4) on the inside on the nose pan under the nose pan brace. Tighten bolt (3) to below specification. Tighten the front bumper mounting bolt (D) at this time to below specification.

NOTE

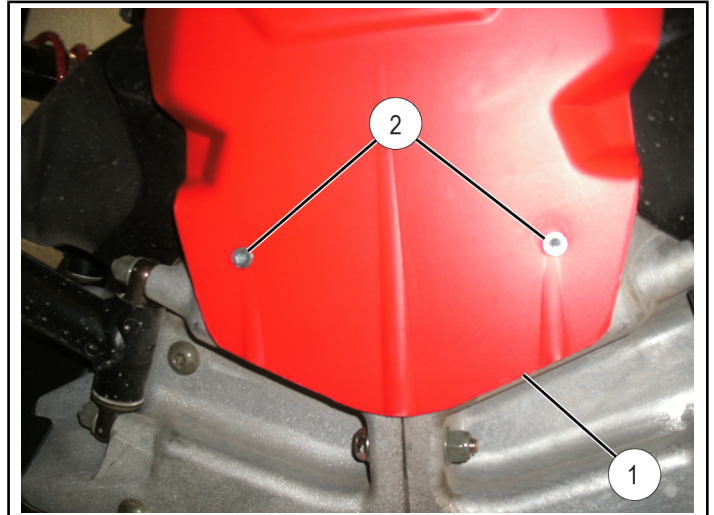
Bolt (3) : 8 ft. lbs. (10.8 Nm)
Front bumper mounting bolt (D) : 8 ft. lbs. (10.8 Nm)



6. **Ultimate skid plate:** Install five self-drilling screws ② in the rear of the skid plate ① as shown below.



7. **Extreme skid plate:** Install two self-drilling screws ② in the rear of the skid plate ① as shown below.



8. Carefully tip the vehicle back onto the floor in the up-right position. Re-install the hood, re-connect the hood electrical harness, and install the side panels.