

SKID PLATE KIT



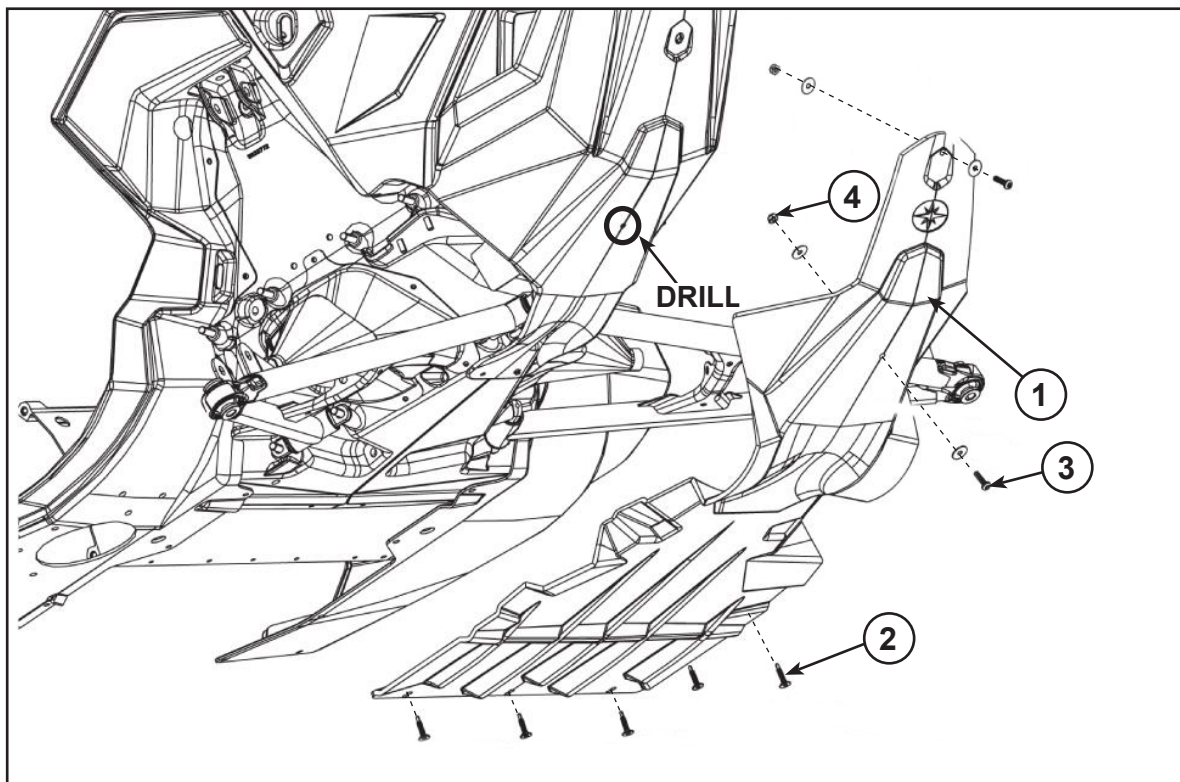
P/N 2880383 (ULTIMATE); 2880384 (EXTREME)

APPLICATION

POLARIS AXYS MODELS

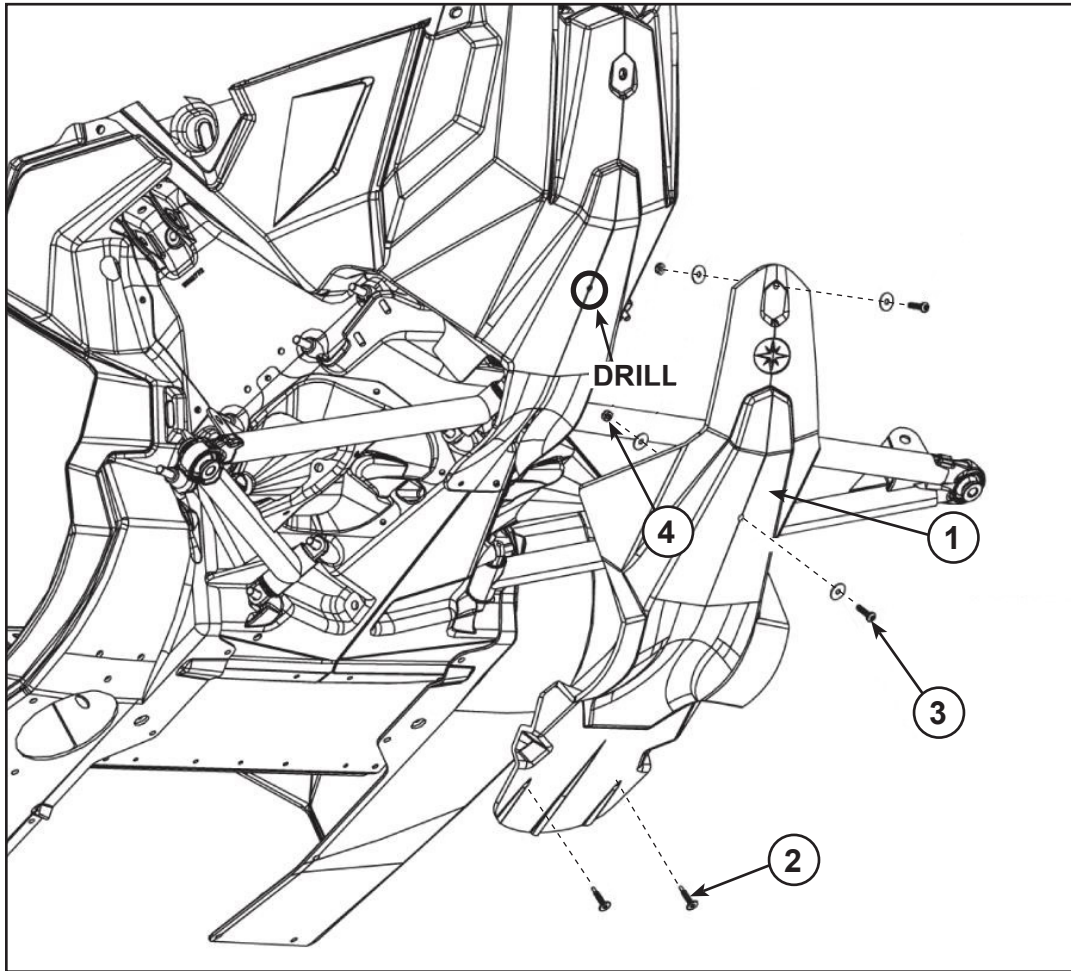
BEFORE YOU BEGIN

Read these instructions thoroughly and make sure all parts and tools are accounted for. Please retain these installation instructions for future reference and parts ordering information.



KIT CONTENTS (P/N 2880383)

Ref	Qty	Part Description	Part Number
1	1	Skid Plate	-
2	5	Self Drilling Screws #10 - 16x1"	-
3	1	Bolt - M6x25mm	7518533
4	1	M6 Nylon Nut	7547339
	1	Instructions	9925586



KIT CONTENTS (P/N 2880384)

Ref	Qty	Part Description	Part Number
1	1	Skid Plate	-
2	2	Self Drilling Screws #10 - 16x1"	-
3	1	Bolt	7518533
4	1	Nylon Nut	7547339
	1	Instructions	9925586

TOOLS NEEDED

T- 25 Torx Bit Electric Screwdriver 10 mm Socket Ratchet Wrench
 ¼ " Drill Bit T-40 Torx Socket 10 mm Wrench

APPROXIMATE ASSEMBLY TIME

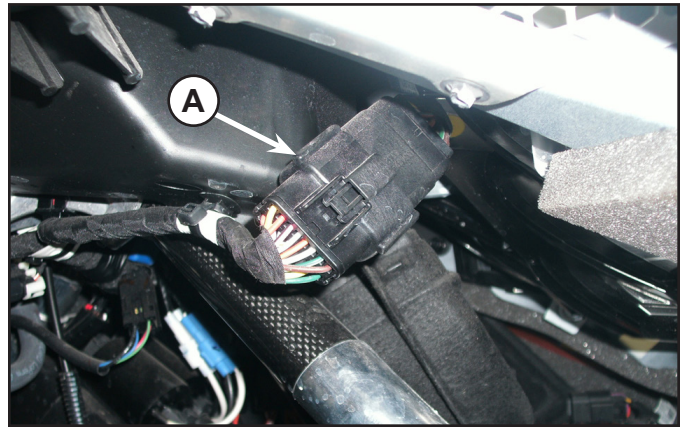
30 mins

IMPORTANT

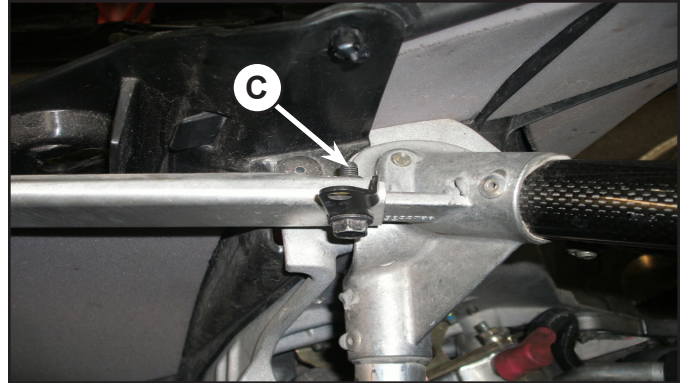
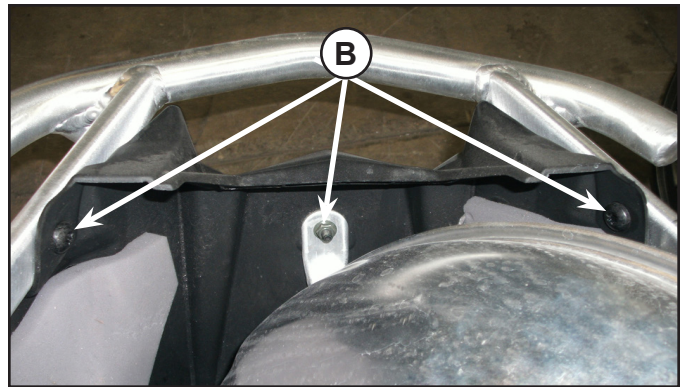
Your Polaris SKID PLATE KIT is exclusively designed for your vehicle. Please read the installation instructions thoroughly before beginning. Installation is easier if the vehicle is clean and free of debris. For your safety, and to ensure a satisfactory installation, perform all installation steps correctly in the sequence shown.

INSTALLATION INSTRUCTIONS

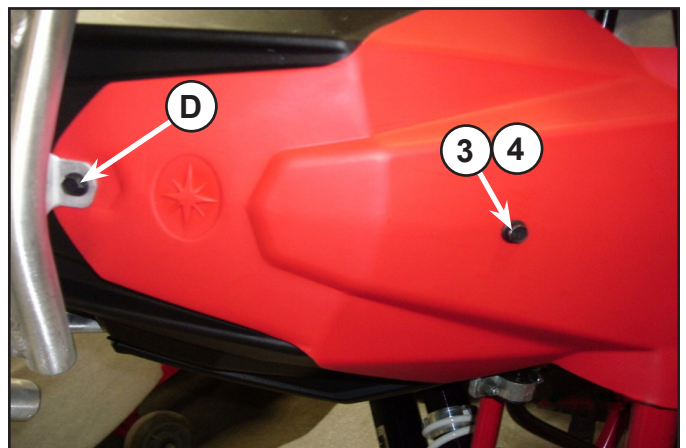
1. Remove both side panels, unplug hood harness (A) connector as shown in figure, and remove hood.



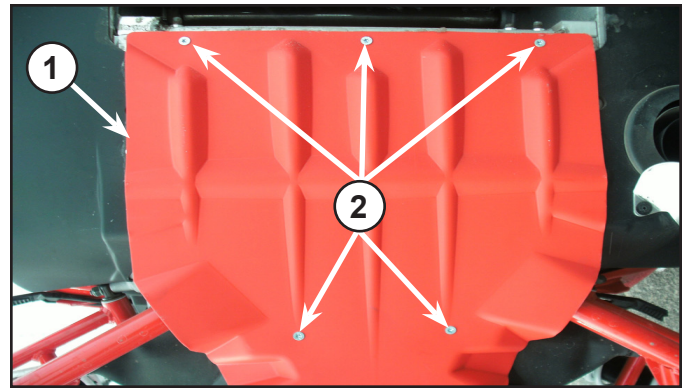
2. Using a 10 mm socket, wrench and a T-40 torx socket, remove the three front bumper mounting fasteners (B) as shown in figure. Loosen but don't remove the two rear mounting fasteners (C). See figure. Keep original fasteners for reassembly.
3. Place protective mat on floor to protect against scratching the exterior surfaces and carefully tip vehicle on its side.



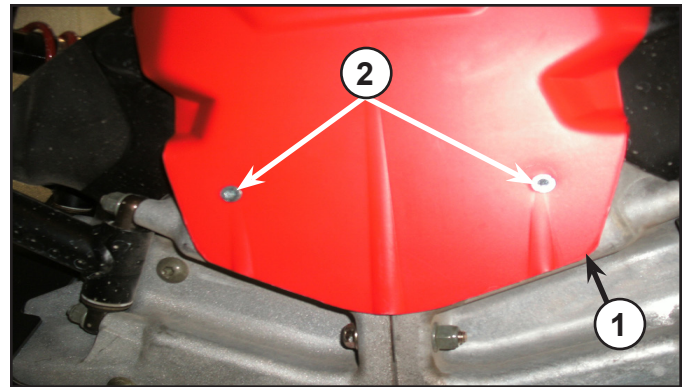
4. Position the skid plate under the front bumper mounting tab and loosely install the original bumper mounting bolt (D) and nut through the bumper tab, skid plate and nose pan as shown in figure.
5. Center the skid plate with the sides of the bulkhead. Holding the skid plate centered transfer drill through the hole in the skid plate and through the nose pan. Install the provided M6x25 mm bolt (3) through the skid plate and nose pan as shown in figure. Install the 6 mm nylon nut (4) on the inside on the nose pan under the nose pan brace. Tighten the fastener to 8 ft. lbs. (10.8 Nm). Tighten the front bumper mounting bolt to 8 ft. lbs. (10.8 Nm) at this time also.



6. **Ultimate skid plate:** Install five self-drilling screws (2) in the rear of the skid plate (1) as shown in figure.



7. **Extreme skid plate:** Install two self-drilling screws (2) in the rear of the skid plate (1) as shown in figure.



8. Carefully tip the vehicle back onto the floor in the up-right position. Re-install the hood, re-connect the hood electrical harness and install the side panels.