

# SINGLE REAR VIEW MIRROR KIT



**P/N 2880531, 2881540**

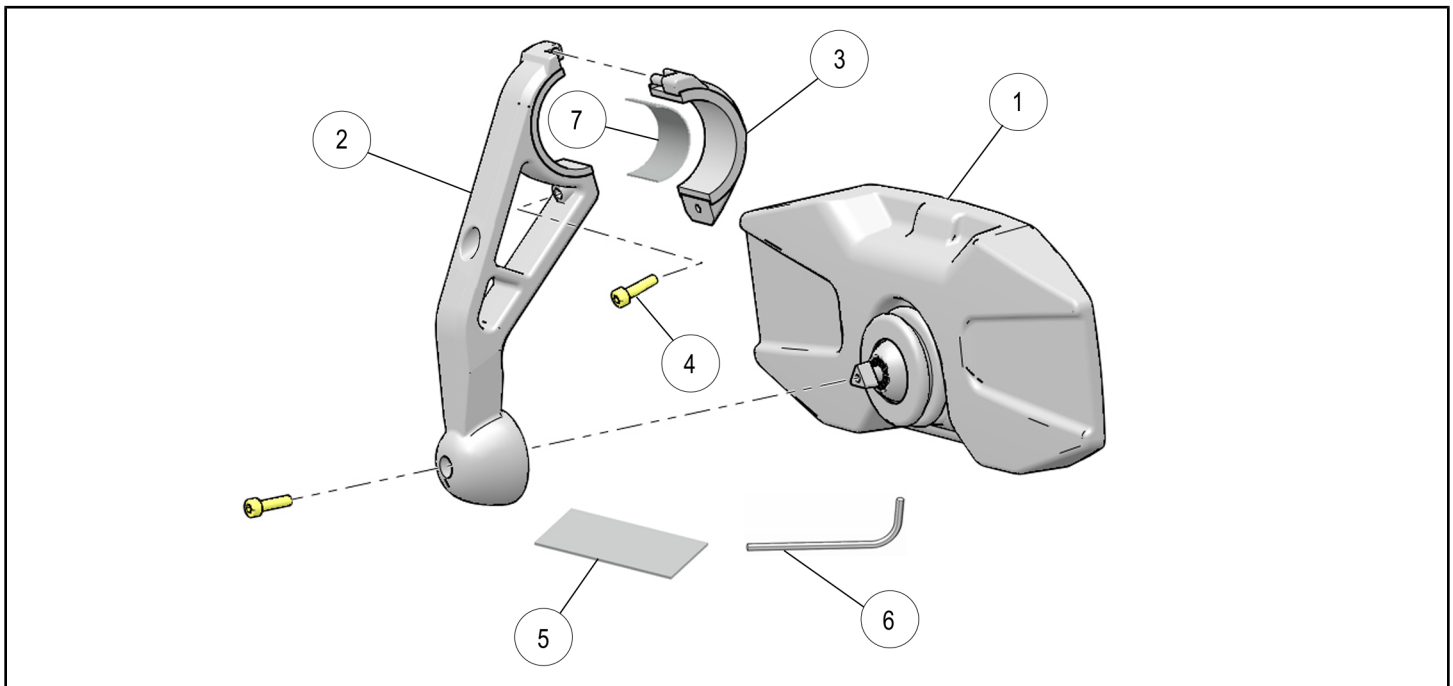
## APPLICATION

RZR 900, RZR 900 S, RZR XP 1000, RZR XP4 1000,  
SPORTSMAN ACE

## BEFORE YOU BEGIN

Read these instructions and check to be sure all parts and tools are accounted for in package. Please retain these installation instructions for future reference and parts ordering information.

## KIT CONTENTS



REF	QTY	PART DESCRIPTION	PART NUMBER
1	1	Roof Mirror, Single	-
2	1	Mirror Lower Arm, Single	-
3	1	Mirror Upper Arm, Single	-
4*	2	Screw-SH-M5X0.8X15 8.8 ZOD	-
5*	2	Foam Pads	-
6*	1	Hex Wrench	-
7	2	Spacer Bushings	-
	1	Instructions	9925446

Items marked (\*) are included in Hardware Kit PN 2205691

## TOOLS REQUIRED

- Hex Wrench (Included)

## ASSEMBLY TIME

5 minutes

## IMPORTANT

Your SINGLE REAR VIEW MIRROR KIT is exclusively designed for your vehicle. Please read the installation instructions thoroughly before beginning. Installation is easier if the vehicle is clean and free of debris. For your safety, and to ensure a satisfactory installation, perform all installation steps correctly in the sequence shown.

## INSTALLATION INSTRUCTIONS

1. Put the vehicle transmission into "PARK" and turn the key to the "OFF" position. Remove the key from the vehicle.
2. Install the foam pads on the inside surface of the bushings ⑦ (For 1.5" tube) or the mirror arms (For 1.75" tube) to help secure mirror to the tube.

### IMPORTANT

Fit the mirror arms to the tube. If installing on 1.5" dia tube use supplied bushings. If installing on 1.75" dia tube, remove the bushings for a secure fit.

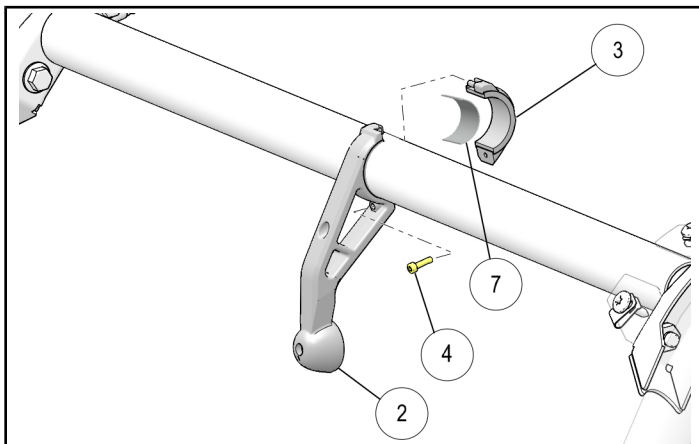
Mount both the lower ② and upper mirror arms ③ on the center of the upper trim with a screw ④. Tighten the screw ④.

### TORQUE

5-7 ft. lbs. (6.7-9.5 Nm).

### NOTE

Both the arms should match the profile of the upper trim.



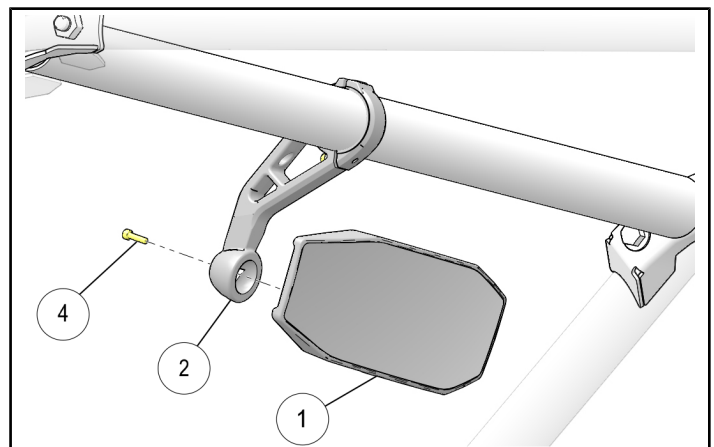
3. Mount the mirror ① on the lower mirror arm ② with a screw ④. Tighten the screw ④.

### TORQUE

5-7 ft. lbs. (6.7-9.5 Nm).

### NOTE

Tightening or loosening this screw will make adjustment harder or easier depending on torque.



4. Adjust the rear mirror ① view with respect to the driver's seat position.

