

ALUMINUM DOOR DECAL KIT



P/N MULTIPLE

APPLICATION

Verify accessory fitment at Polaris.com.

BEFORE YOU BEGIN

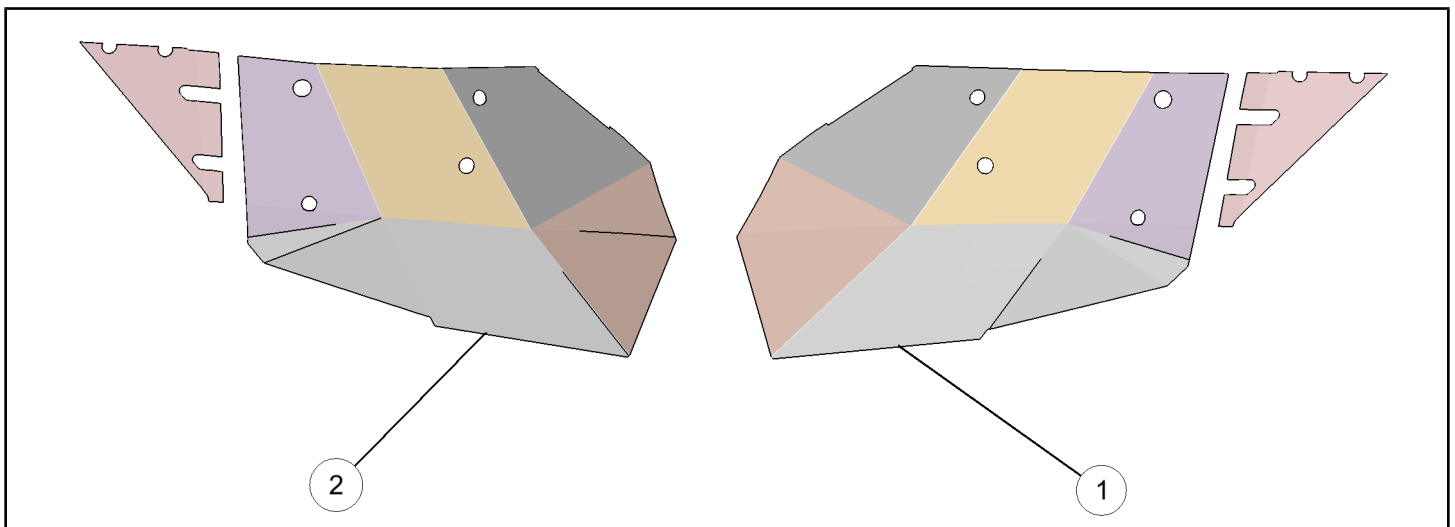
Read these instructions and check to be sure all parts and tools are accounted for. Please retain these installation instructions for future reference and parts ordering information.

KIT CONTENTS

TWO DOOR VEHICLES

NOTE

This kit contains parts for installation of the aluminum door decals only. Prior installation of an Aluminum Door Kit (sold separately) is also required.

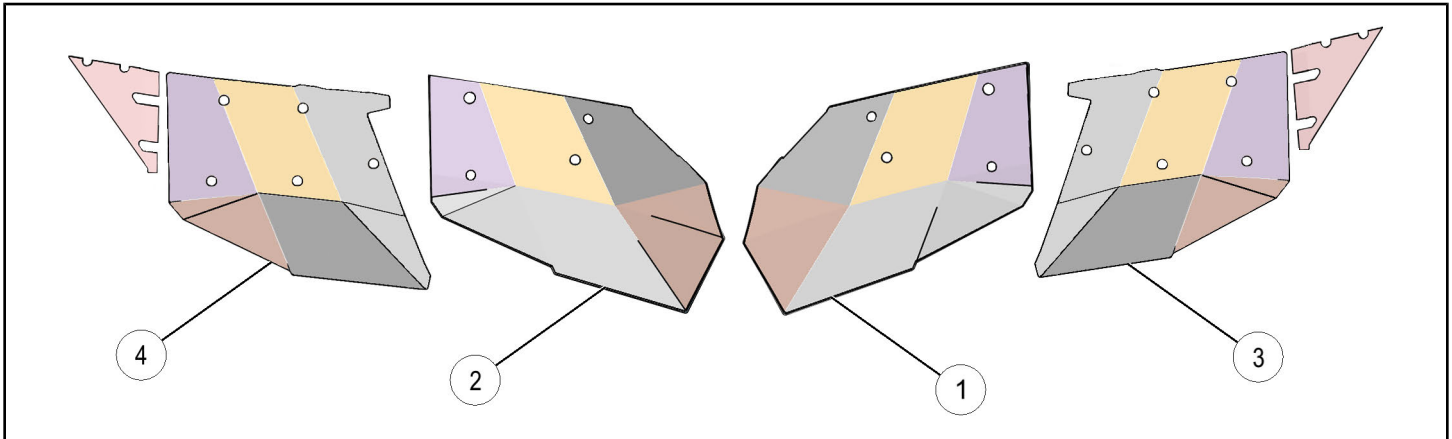


REF	QTY	PART DESCRIPTION	PART NUMBER
1	1	Decal, LH	-
2	1	Decal, RH	-
3	1	Squeegee (not shown)	-
	1	Instructions	9925418

FOUR DOOR VEHICLES

NOTE

This kit contains parts for installation of the aluminum door decals only. Prior installation of an Aluminum Door Kit (sold separately) is also required.



REF	QTY	PART DESCRIPTION	PART NUMBER
1	1	Decal, LH Front	-
2	1	Decal, RH Front	-
3	1	Decal, LH Rear	-
4	1	Decal, RH Rear	-
5	1	Squeegee (not shown)	-
	1	Instructions	9925418

TOOLS REQUIRED

- Heat Gun
- Straight Pin

CONSUMABLES REQUIRED

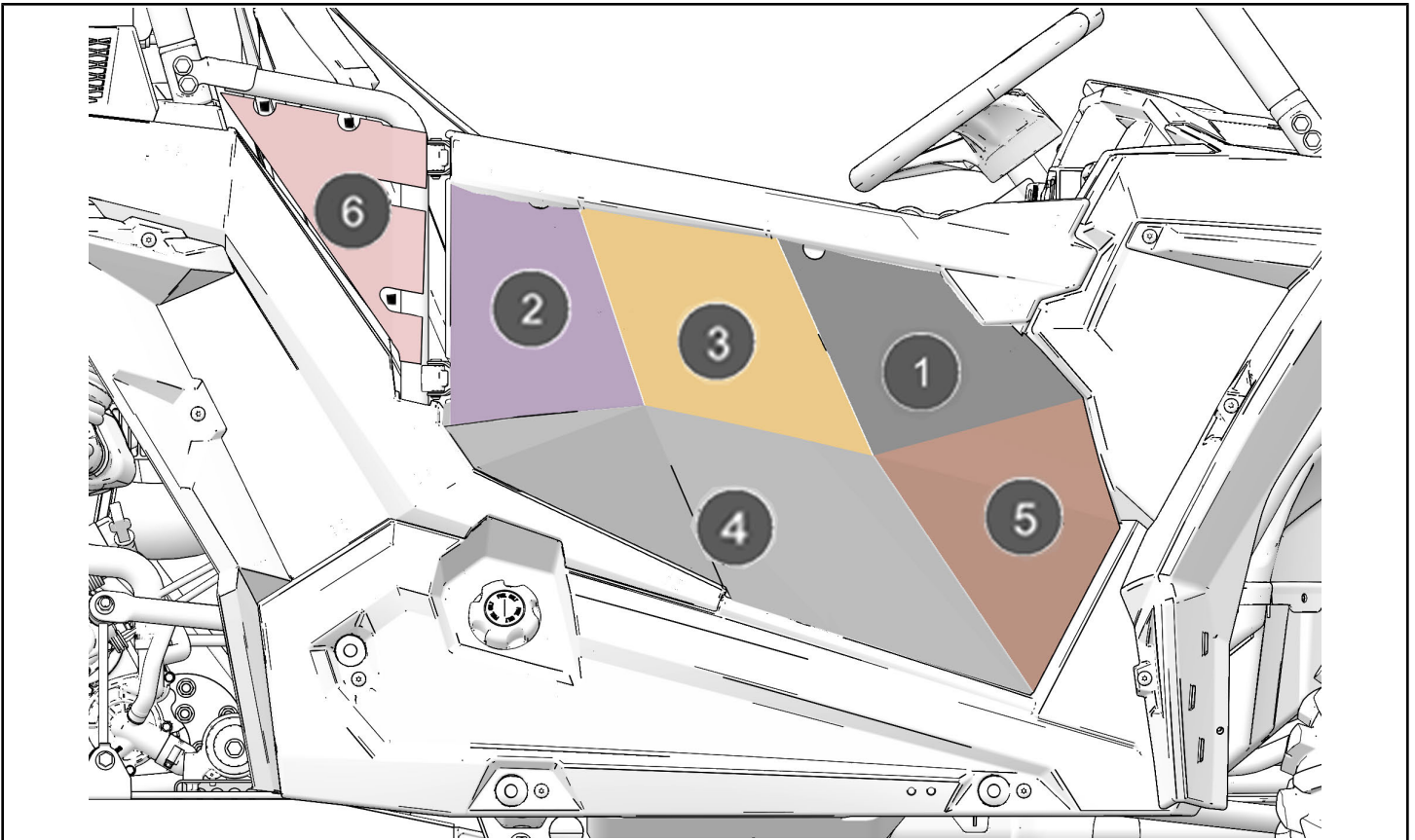
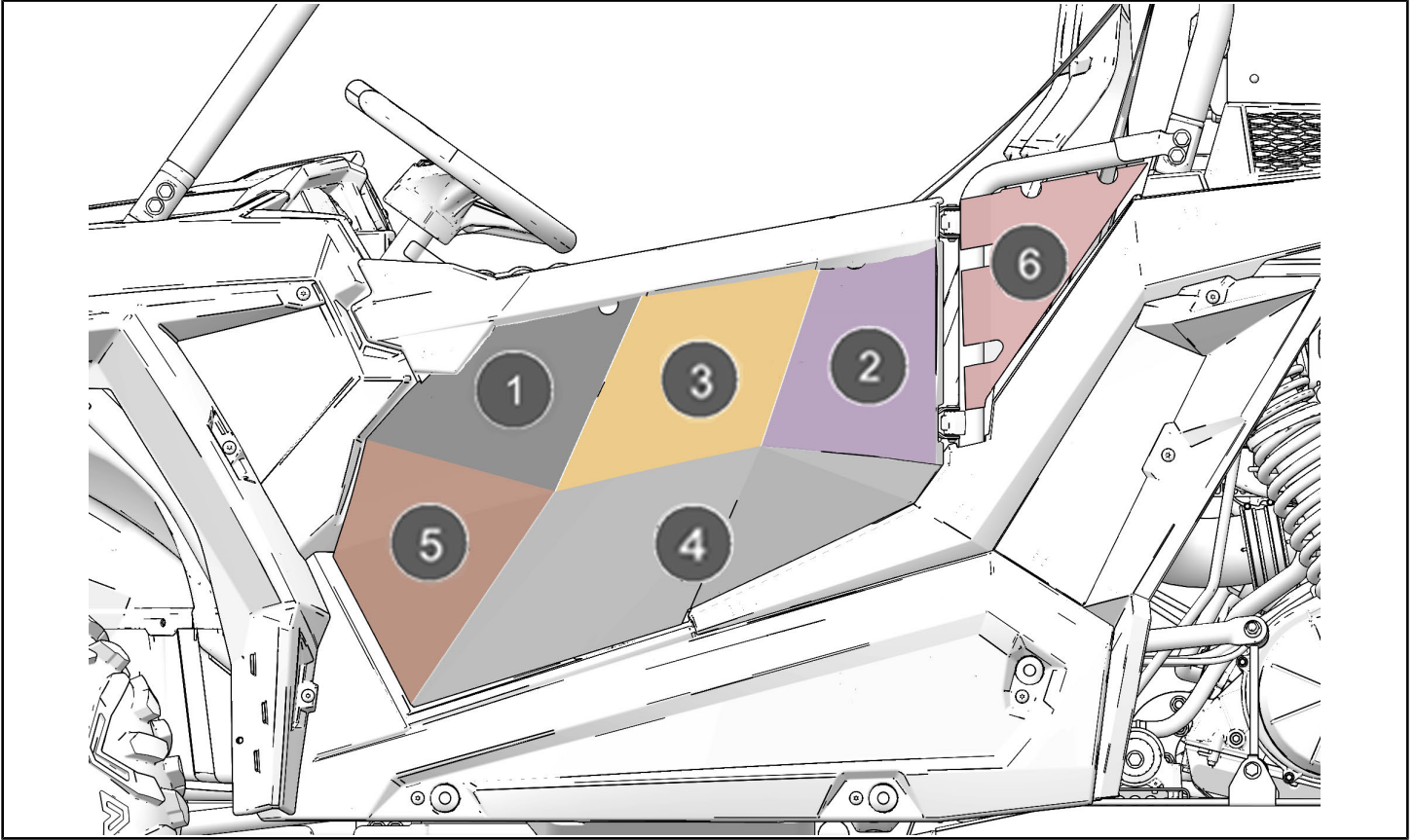
- Solvent Wipe (99% Isopropyl Alcohol)
- Non-abrasive Cloth (Cheesecloth or equivalent)
- Adhesive Remover (Goo Gone® or 3M™ Citrus Base)
- Cleaning Solution (99% water + 1% mild dishwashing detergent)

IMPORTANT

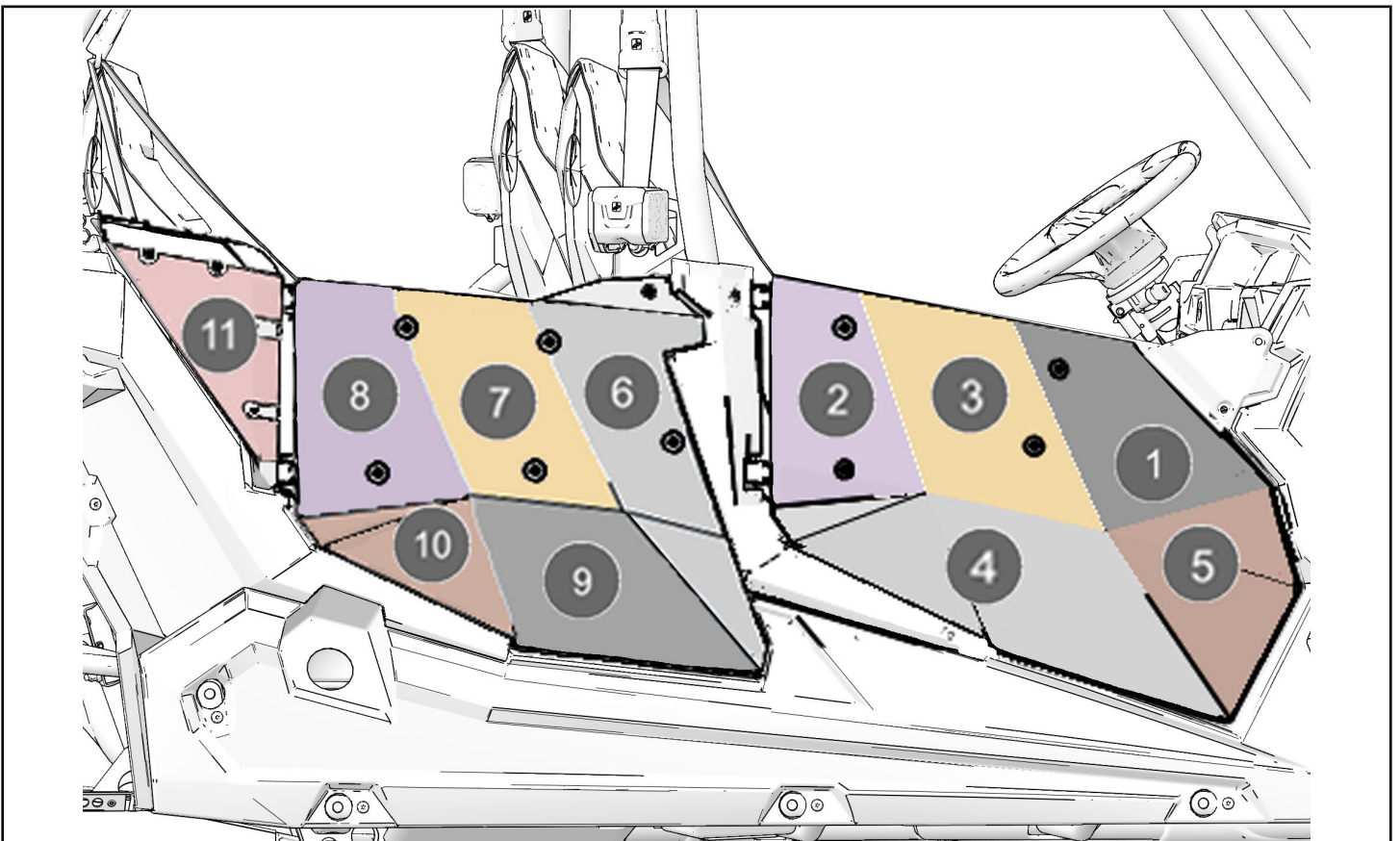
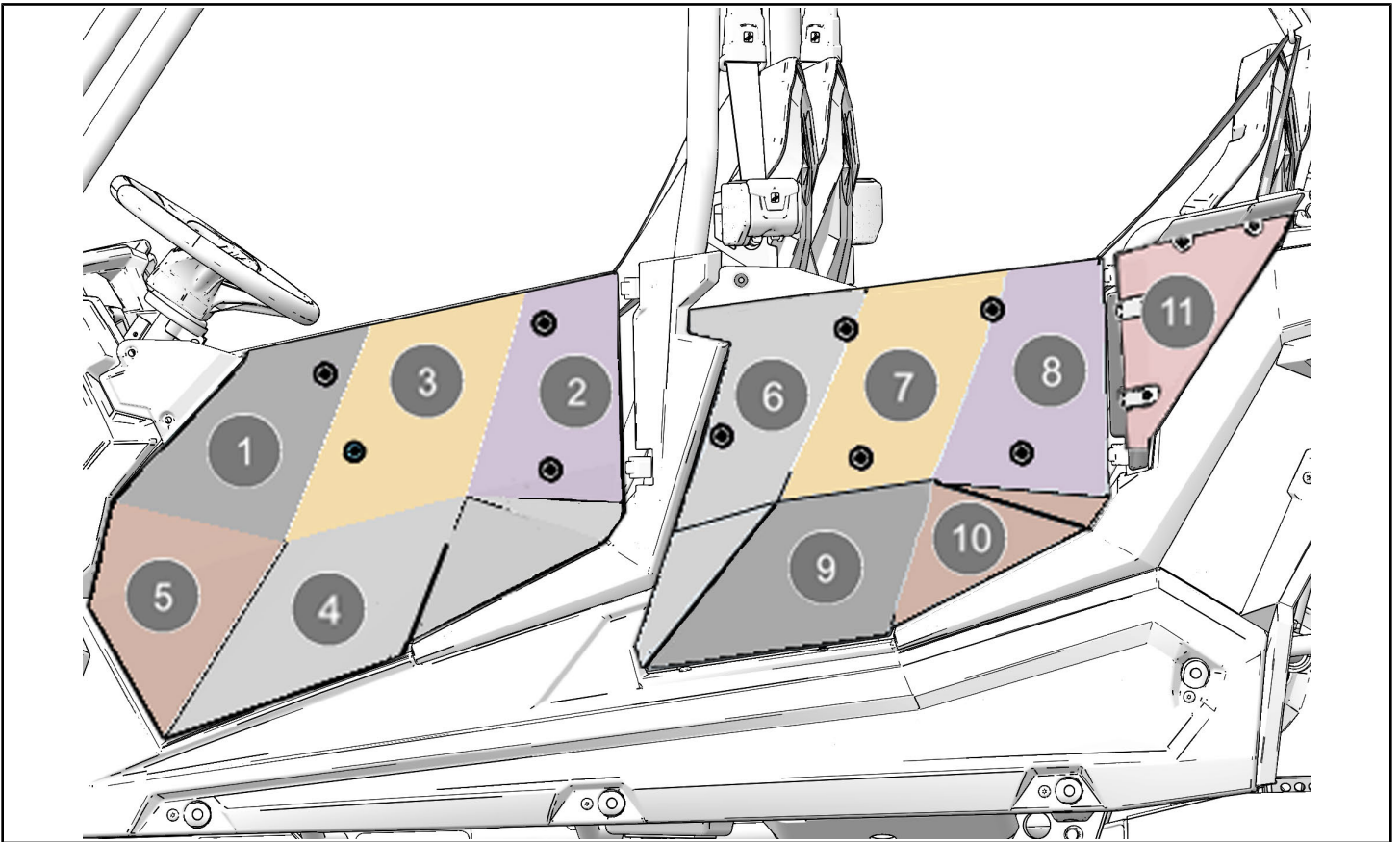
Your ALUMINUM DOOR DECAL KIT is exclusively designed for your vehicle. Please read the installation instructions thoroughly before beginning. Installation is easier if the vehicle is clean and free of debris. For your safety, and to ensure a satisfactory installation, perform all installation steps correctly in the sequence shown.

DECAL APPLICATION SEQUENCE

TWO DOOR VEHICLES



FOUR DOOR VEHICLES



INSTALLATION INSTRUCTIONS

1. Ensure the following environmental conditions exist prior to and during decal application:
 - a. Decals should be applied indoors in a location free from airborne dust and dirt.
 - b. Temperature must be between 40° to 100° F. (5° to 37° C.)

NOTE

Decals may break in cold weather.

⚠ WARNING

Follow all manufacturer's instructions for chemical use. Failure to follow instructions may result in severe personal injury or death.

2. Clean door surfaces to remove dirt, grease, and finger prints. See previous section, **CONSUMABLES REQUIRED**, for material details.

Begin with cleaning solution and non-abrasive cloth, then follow with solvent wipe.

3. Apply decals:
 - a. Follow **DECAL APPLICATION SEQUENCE** as shown in previous section.
 - b. Remove backing from decal at a 180° angle.

IMPORTANT

Do not remove premask until Step 5.

- c. Align decal with door style lines, louvers, and edges, then gently tack down ends.

- d. Apply decal using one of the following methods:
 - **Method 1:** Use squeegee to start strokes from middle of decal. Lift previously tacked ends (one at a time) and squeegee from middle of decal to each end.
 - **Method 2:** Use squeegee to start strokes from wide end of decal. Lift up opposite (narrow) end and squeegee from where last stroke was taken to end of decal.
 - e. Tips:
 - Use long, firm, overlapping strokes.
 - In areas where material buckles, use swooping strokes rather than straight strokes. The fewer strokes taken, the fewer air bubbles will appear.
 - To remove air bubble, pierce edge of bubble with straight pin, then use squeegee to expel air starting from opposite edge of bubble.
4. After decal has been applied re-squeegee all edges.
5. Remove premask from decal at a 180° angle.

⚠ WARNING

Follow all manufacturer's instructions for chemical use. Failure to follow instructions may result in severe personal injury or death.

6. To remove decal, apply heat with heat gun and peel it off. Warming the decal makes it more pliable and easier to peel. Remove residual adhesive with Goo Gone®, 3M™ citrus base adhesive remover, or equivalent. For best results, remove decal shortly after application.

FEEDBACK FORM

A feedback form has been created for the installer to provide any comments, questions or concerns about the installation instructions. The form is viewable on mobile devices by scanning the QR code or by clicking [HERE](#) if viewing on a PC.

FEEDBACK FORM

