

GLASS WINDSHIELD KIT



P/N 2879958, 2881783

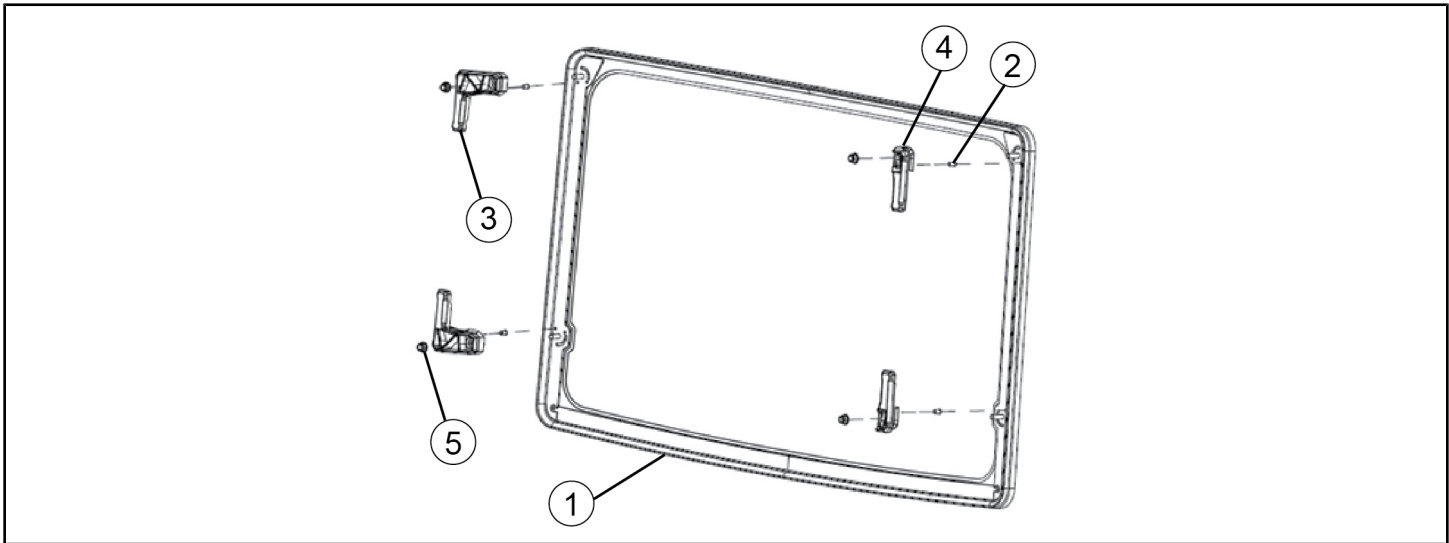
APPLICATION

RANGER 570 AND RANGER ETX

BEFORE YOU BEGIN

Read these instructions and check to be sure all parts and tools are accounted for. Please retain these installation instructions for future reference and parts ordering information.

KIT CONTENTS



REF	QTY	PART DESCRIPTION	PART NUMBER
1	1	Lock and Ride Windshield Assembly, Base	2635316
2	4	Detent Assembly, Lock and Ride, Windshield	2685412
3	2	Lock and Ride Windshield Clamp, LH	5439876
4	2	Lock and Ride Windshield Clamp, RH	5439877
5	4	Nut-HXFL-M8X1.25 8 ZB3 Nyloc	7547454
	1	Instructions	9925354

TOOLS REQUIRED

Safety Goggles

APPROXIMATE ASSEMBLY TIME

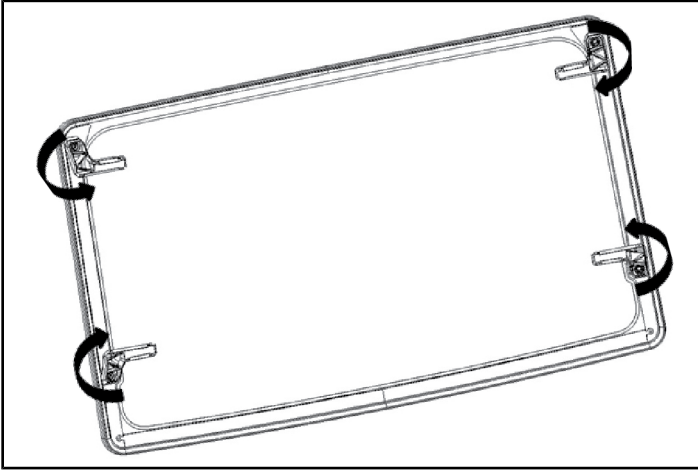
5 minutes

IMPORTANT

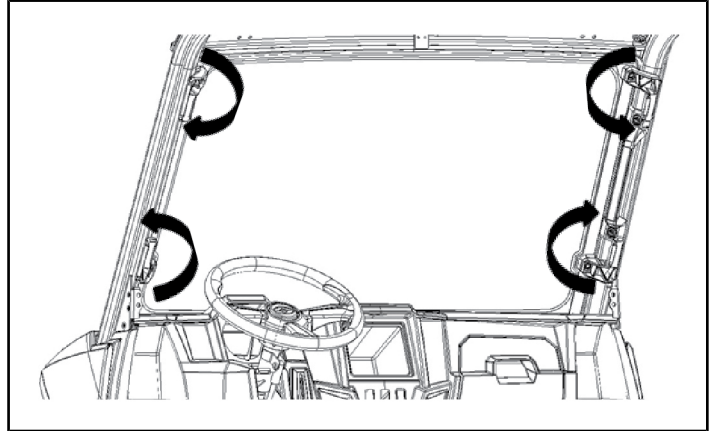
Your GLASS WINDSHIELD KIT is exclusively designed for your vehicle. Please read the installation instructions thoroughly before beginning. Installation is easier if the vehicle is clean and free of debris. For your safety, and to ensure a satisfactory installation, perform all installation steps correctly in the sequence shown.

INSTALLATION INSTRUCTIONS

1. Place the vehicle in "PARK". Turn the key to "OFF" position and remove from the vehicle.
2. Turn the clamps ③ & ④ inside.



4. After installation of the windshield turn the clamps ③ & ④ out again to hold the windshield fully on ROPS (A).



3. Push the windshield assembly onto the ROPS.

