

# FENDER FLARE KIT

P/N 2879434

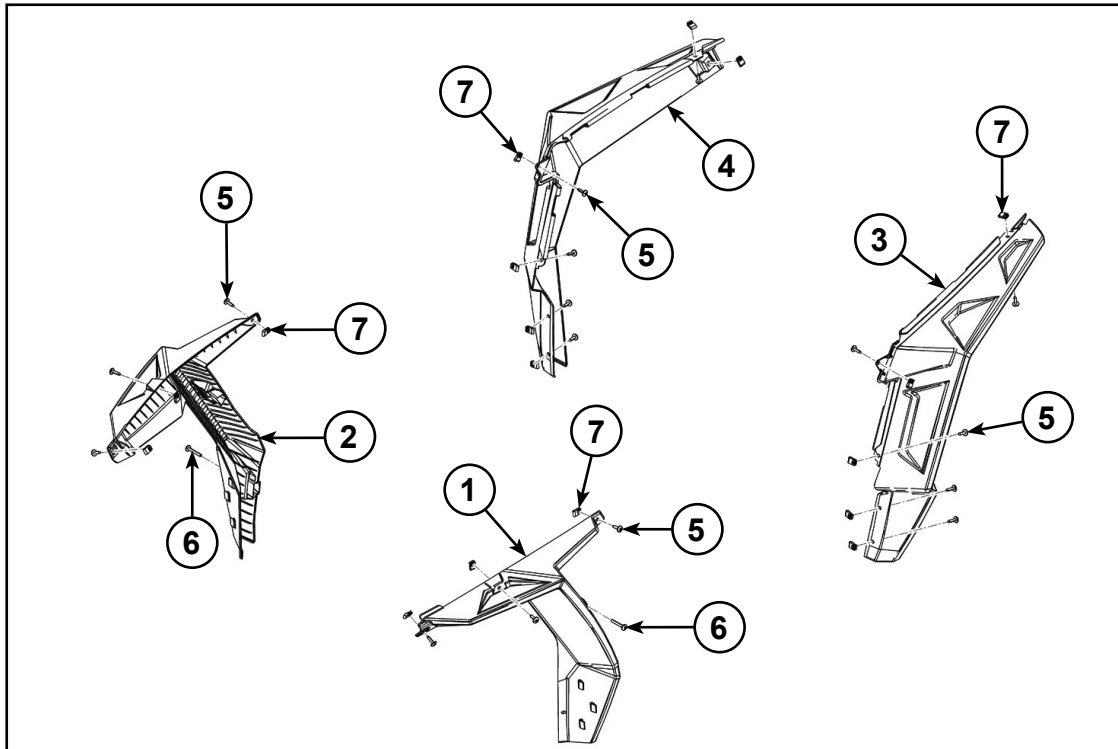
Application

RZR 900



**POLARIS**<sup>®</sup>

Before you begin, read these instructions twice and check to be sure all parts and tools are accounted for. Please retain these installation instructions for future reference and parts ordering information.



## Kit Contents:

<u>Ref</u>	<u>Qty</u>	<u>Part Description</u>	<u>Part Number</u>
1	1	Front Fender Flare, LH	5439760
2	1	Front Fender Flare, RH	5439761
3	1	Rear Fender Flare, LH	5439766
4	1	Rear Fender Flare, RH	5439767
5	18	Screw, M6X1.0X25, TXTH, RIE	7519650
6	4	Screw, #14X1.75, T40, TX, HI/LO	7519840
7	18	Nut-M6-1.0, U-Type (2.5-3.8)	7547674
	1	Instructions	9925296

## Tools Required:

Torx Wrench Set

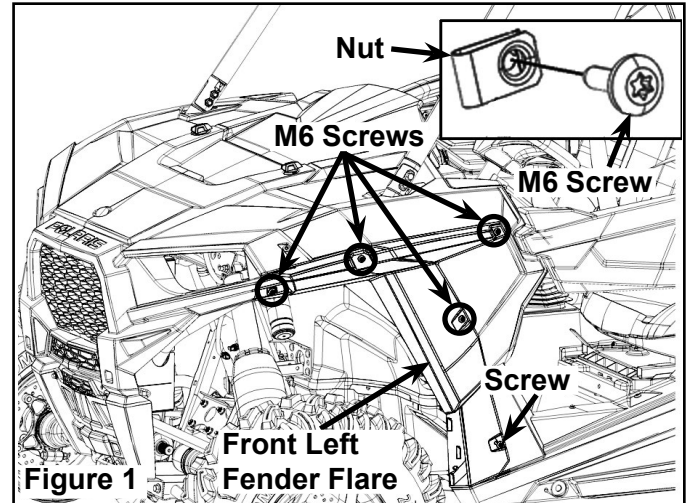
**APPROXIMATE ASSEMBLY TIME:** 30 minutes

**IMPORTANT:** Your Polaris FENDER FLARE KIT is exclusively designed for your vehicle. Please read the installation instructions thoroughly before beginning. Installation is easier if the vehicle is clean and free of debris. For your safety, and to ensure a satisfactory installation, perform all installation steps correctly in the sequence shown.

## REMOVAL OF STOCK FENDER FLARES:

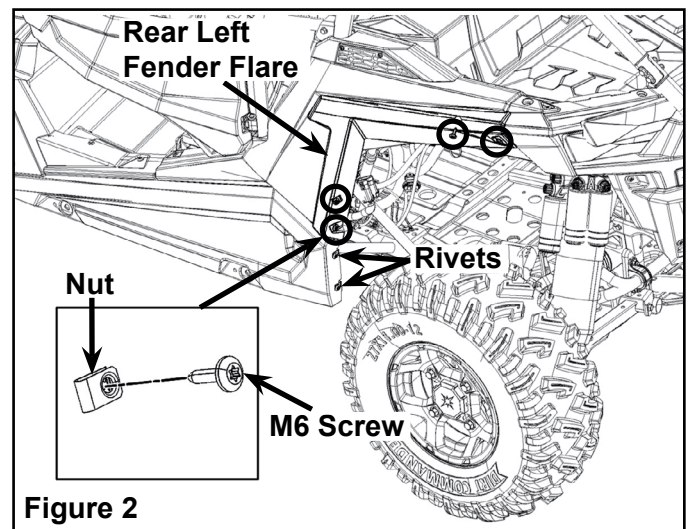
### FRONT FENDER FLARES:

1. Remove front left fender flare from body panel by removing four M6 screws and relevant nuts. Remove #14x1.75 mm screw. Figure 1.
2. Repeat the Step 1 for removal of front right fender flare on the opposite side of the vehicle.



### REAR FENDER FLARES:

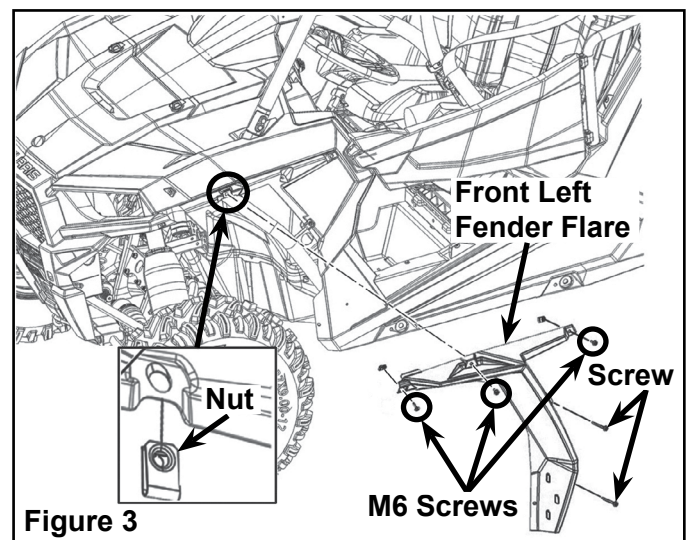
3. Remove rear left fender flare from body panel by removing four M6 screws and relevant nuts. Remove two tuflok rivets. Figure 2.
4. Repeat Step 3 for removal of rear right fender flare on the opposite side of the vehicle.



## INSTALLATION INSTRUCTIONS:

### FRONT FENDER FLARES:

1. Align the front left fender flare (PN 5439760) with body panel and attach by fastening three M6 screws (PN 7519650), three U-clip nuts (PN 7547674) and two #14x1.75 mm screws (PN 7519840). Figure 3.
2. Repeat the Step 1 for install the front right fender flare (PN 5439761) on the opposite side of the vehicle.



## REAR FENDER FLARES:

3. Align rear left fender flare (PN 5439766) with body panel. Fit the fender inside the slots of body panel as shown and attach by fastening six M6 screws (PN 7519650) and six U-clip nuts (PN 7547674). Figure 4, Figure 5 and Figure 6.
4. Repeat Step 3 to install the rear right fender flare (PN 5439767) on the opposite side of the vehicle.

