

POLY ROOF KIT



P/N 2885078

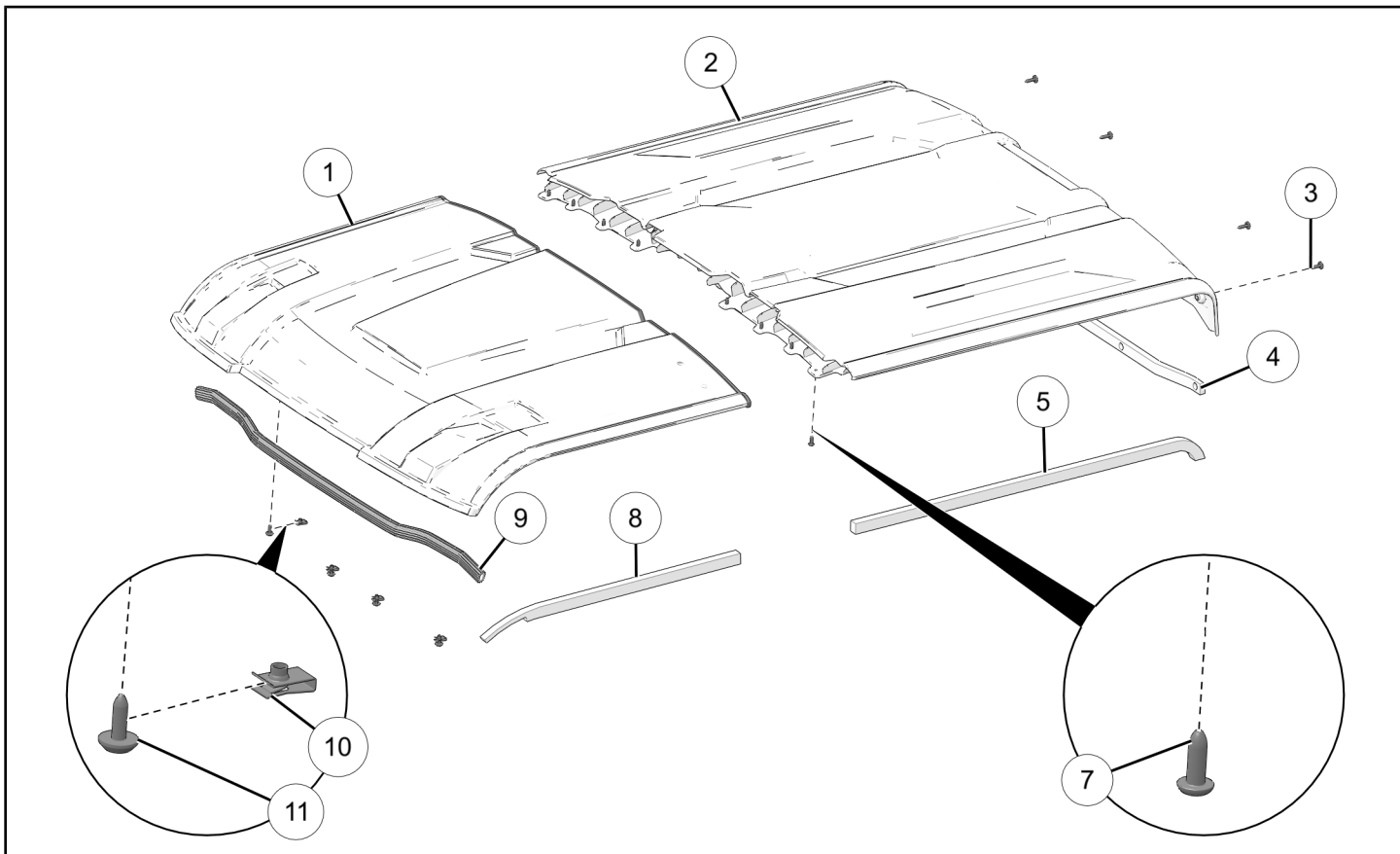
BEFORE YOU BEGIN

Read these instructions and check to be sure all parts and tools are accounted for. Please retain these installation instructions for future reference and parts ordering information.

APPLICATION

Verify accessory fitment at www.polaris.com.

KIT CONTENTS



REF	QTY	PART DESCRIPTION	P/N AVAILABLE SEPARATELY	AVAILABLE SERVICE KIT
1	1	Panel – Roof, Front	5459031	n/a
2	1	Panel – Roof, Rear	5459032	n/a
3	4	Screw – Torx® Truss Head, M6 x 1.0 x 25 mm	7519650	2205553
4	1	Seal – Rear	5522050	2205554
5	2	Seal – Rear Side	5522048	2205554
6	—	Not used	n/a	n/a
7	8	Screw – Torx® Truss Head, #14 x 3/4 in	7519045	2205553
8	2	Seal – Front Side	5522062	2205554

REF	QTY	PART DESCRIPTION	P/N AVAILABLE SEPARATELY	AVAILABLE SERVICE KIT
9	1	Seal – Front	5522049	2205554
10	4	Screw – Torx® Truss Head, M6 x 1.0 x 20 mm	7519112	2205553
11	4	Nut – U	7081305	2205553
12	1	Seal – Foam, Joint (not shown)	5814120	n/a

TOOLS REQUIRED

- Safety Glasses
- Socket Set, Torx® Bit
- Torque Wrench

CONSUMABLES REQUIRED

- Isopropyl Alcohol (IPA)
- Gloves, Chemical Resistant

IMPORTANT

Your Poly Roof Kit is exclusively designed for your vehicle. Please read the installation instructions thoroughly before beginning. Installation is easier if the vehicle is clean and free of debris. For your safety, and to ensure a satisfactory installation, perform all installation steps correctly in the sequence shown.

INSTALLATION INSTRUCTIONS

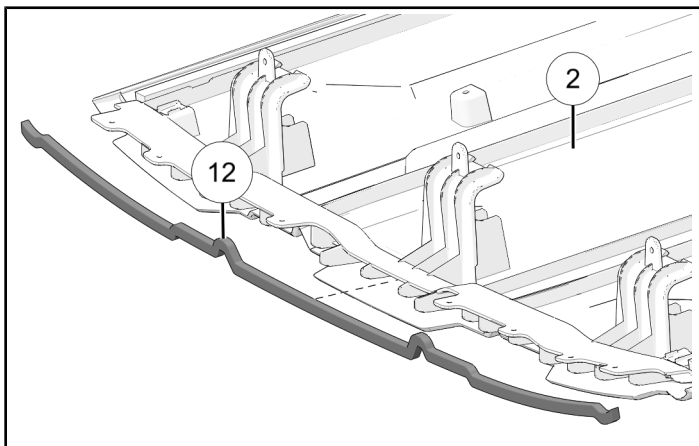
VEHICLE PREPARATION

GENERAL

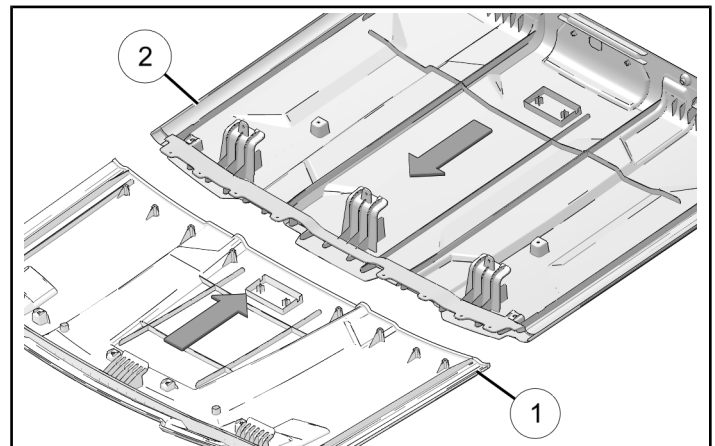
1. Park vehicle on a flat surface.
2. Shift vehicle into PARK.
3. Turn key to OFF position and remove key.

ACCESSORY INSTALLATION

1. Put roof panels on soft surface to prevent damage.
2. Install joint seal ⑫ within rear roof panel ②.



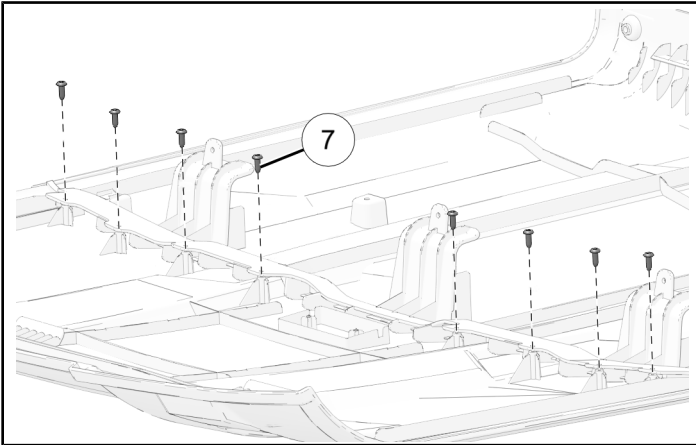
3. Put front roof panel ① and rear roof panel ② together and compress joint seal.



4. Install roof panels together with eight screws ⑦. Torque screws to specification.

TORQUE

Roof Panel Joint Screws ⑦:
18 in-lbs (2 N·m)

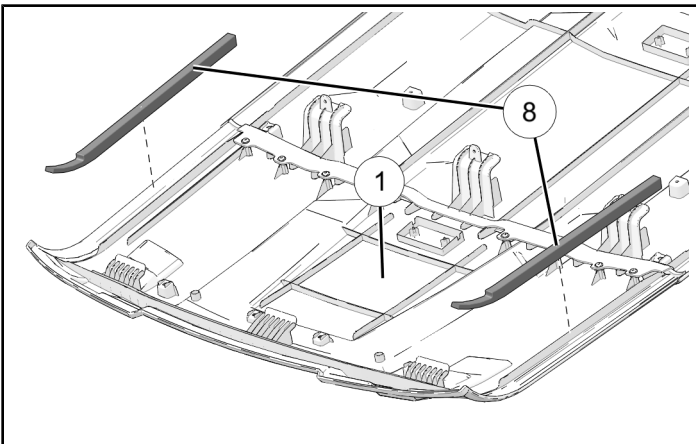


5. Clean foam installation location with isopropyl alcohol.

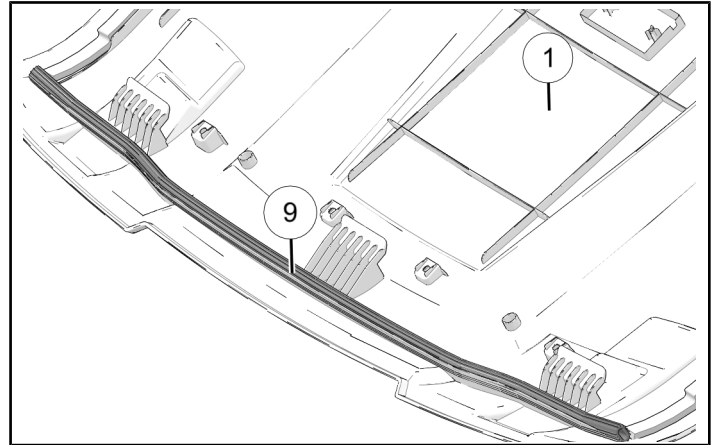
⚠ WARNING

Isopropyl alcohol is hazardous to your health. See isopropyl alcohol packaging for proper handling instructions, including recommended personal protective equipment such as goggles and chemical resistant gloves.

6. Peel backing from foam and install two front side seals ⑧ within outside channels of front roof panel ①.



7. Install front rubber seal ⑨ with front channel of front roof panel ①.

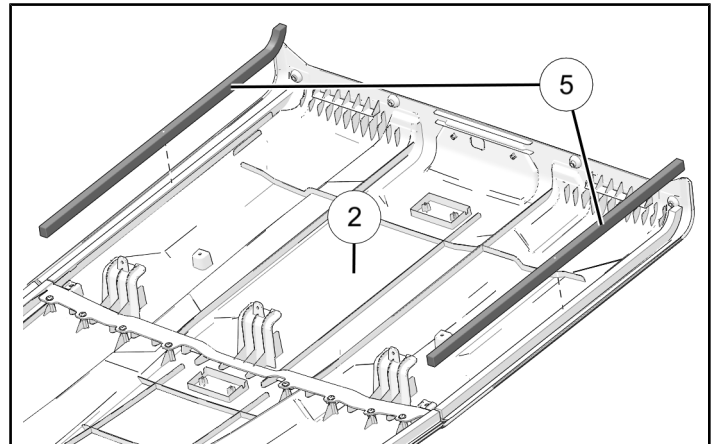


8. Clean foam installation locations with isopropyl alcohol.

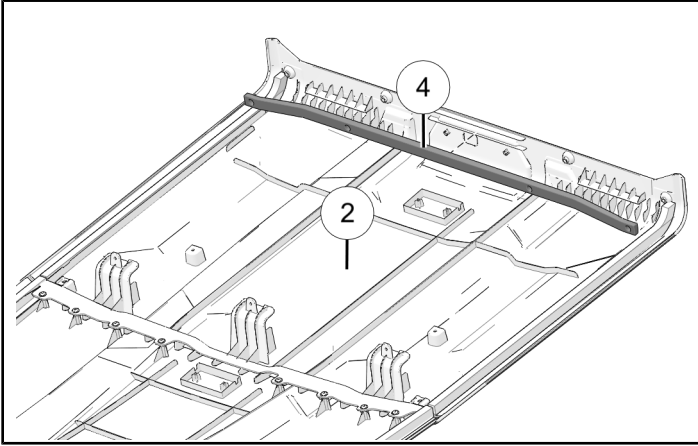
⚠ WARNING

Isopropyl alcohol is hazardous to your health. See isopropyl alcohol packaging for proper handling instructions, including recommended personal protective equipment such as goggles and chemical resistant gloves.

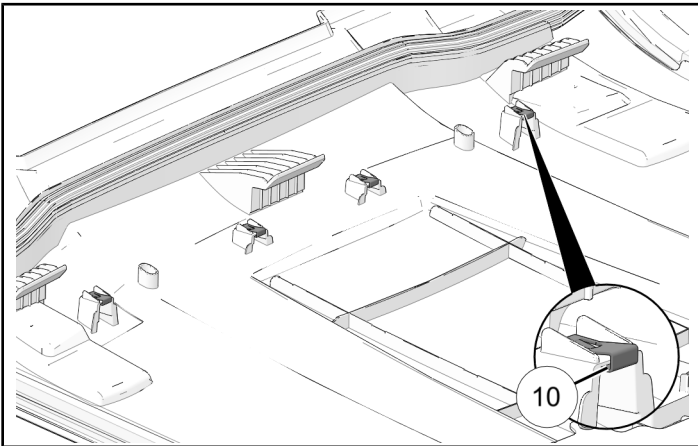
9. Peel backing from foam and install two rear side seals ⑤ within outside channels of rear roof panel ②.



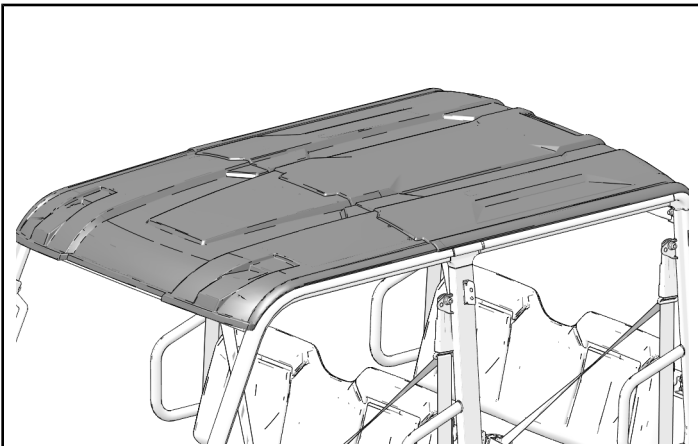
10. Peel backing from foam. Align rear foam seal ④ with rear mounting holes and install to rear roof panel ②.



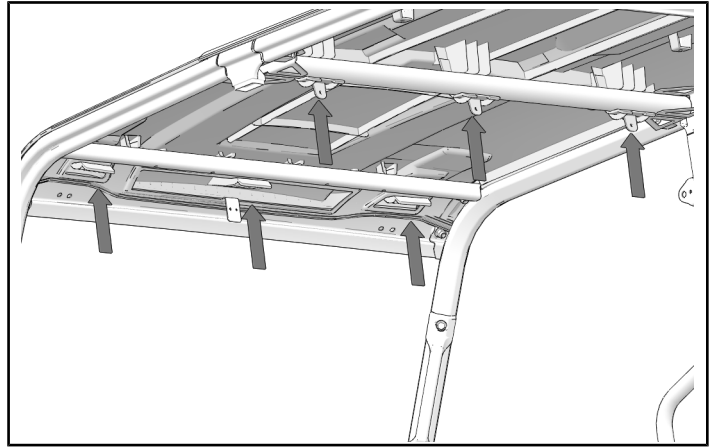
11. Install four U-nuts ⑩ on underside of front roof panel.



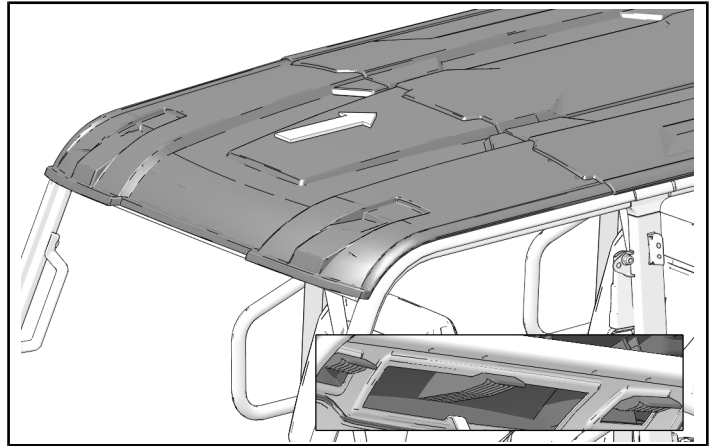
12. Put roof panel on top of roll cage.



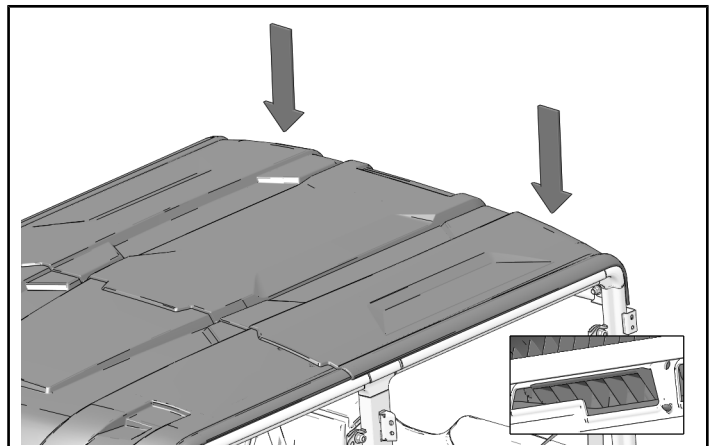
13. Align retaining hooks with windshield mounting plate and center cross-beam.



14. Slide roof panels rearward until retaining hooks engage with windshield mounting plate and center cross-beam.

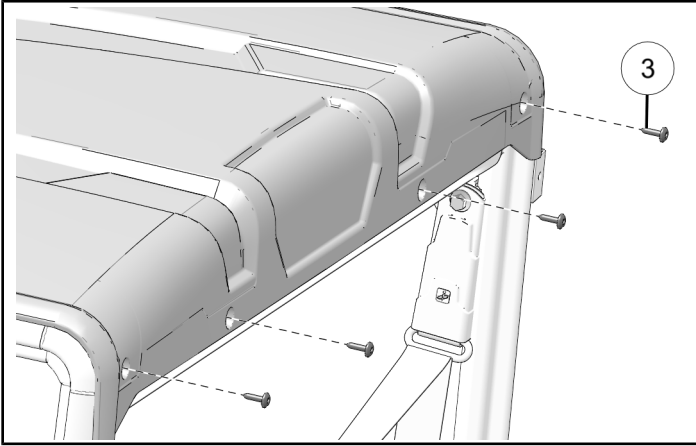


15. Pull rear of roof panel downwards until two clips snap into place.



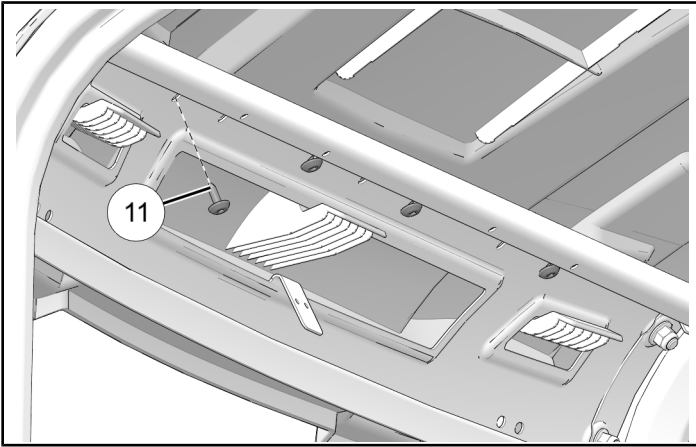
16. Install rear of roof with four screws ③.

Do not torque screws at this time.



17. Install front of roof with four screws ⑪.

Do not torque screws at this time.



18. Torque four front screws ⑪ to specification.

TORQUE

Front Roof Screws ⑪:
22 in-lbs (2.5 N·m)

19. Torque four rear screws ③ to specification.

TORQUE

Rear Roof Screws ③:
96 in-lbs (11 N·m)

INSTRUCTION FEEDBACK FORM

A feedback form has been created for the installer to provide any comments, questions or concerns about the installation instructions. The form is viewable on mobile devices by scanning the QR code or by clicking [HERE](#) if viewing on a PC.

