

# STEEL PLOW BLADE KIT



P/N 2890334; 2890335; 2890336

## MISSING OR DAMAGED PARTS

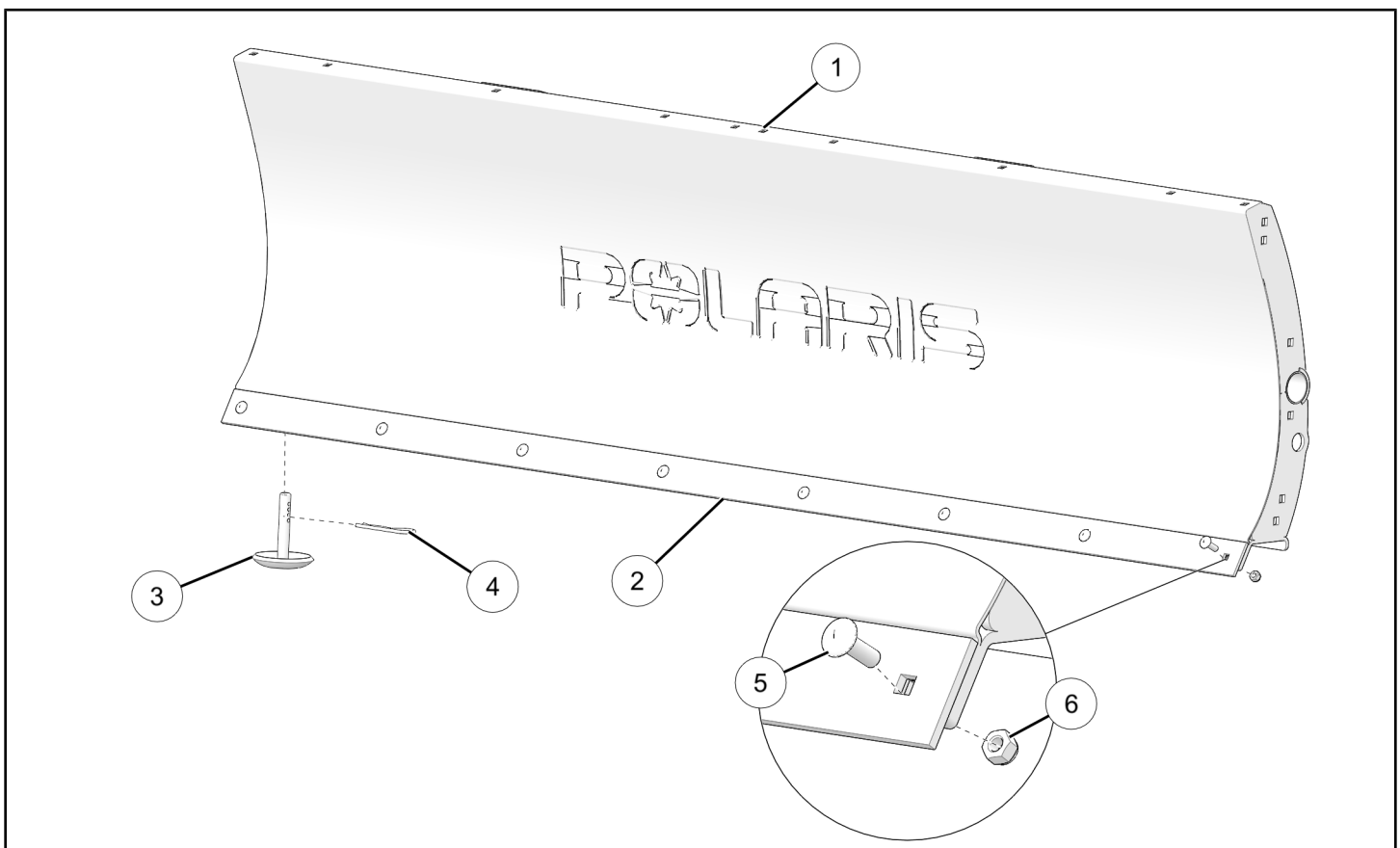
Before beginning assembly, inspect the kit and its component(s) to be sure all parts and tools are accounted for and not damaged. If missing parts or parts are damaged, please contact your Selling Dealer for assistance.

If your accessory was purchased online, please contact POLARIS® customer service at **1-800-POLARIS** (US & Canada only).

## APPLICATION

Verify accessory fitment at [www.polaris.com](http://www.polaris.com).

## KIT CONTENTS



REF	QTY	PART DESCRIPTION	P/N AVAILABLE SEPARATELY	AVAILABLE SERVICE KIT
1	1	Plow Blade	n/a	n/a
2	1	Wear Bar	n/a	2204976 (P/N 2890334; 2890335) 2879867 (P/N 2890336)
3	2	Shoe	n/a	2205223 (P/N 2890334) 2208864 (P/N 2890335; 2890336)

REF	QTY	PART DESCRIPTION	P/N AVAILABLE SEPARATELY	AVAILABLE SERVICE KIT
4	2	Hairpin Clip	n/a	n/a
5	8	Carriage Bolt M8 x 1.25 x 25 mm	n/a	n/a
6	8	Nut, Locking, M8 x 1.25 mm	n/a	n/a
7	1	Warning Decal	n/a	n/a

## TOOLS REQUIRED

None

## IMPORTANT

Your Steel Plow Blade Kit is exclusively designed for your vehicle. Please read the installation instructions thoroughly before beginning. Installation is easier if the vehicle is clean and free of debris. For your safety, and to ensure a satisfactory installation, perform all installation steps correctly in the sequence shown.

## INSTALLATION INSTRUCTIONS

### VEHICLE PREPARATION

#### GENERAL

1. Park vehicle on a flat surface.
2. Shift vehicle into PARK.
3. Turn key to OFF position and remove key.

### ACCESSORY INSTALLATION

#### NOTICE

Refer to plow frame instructions for Glacier Pro Plow Blade installation.